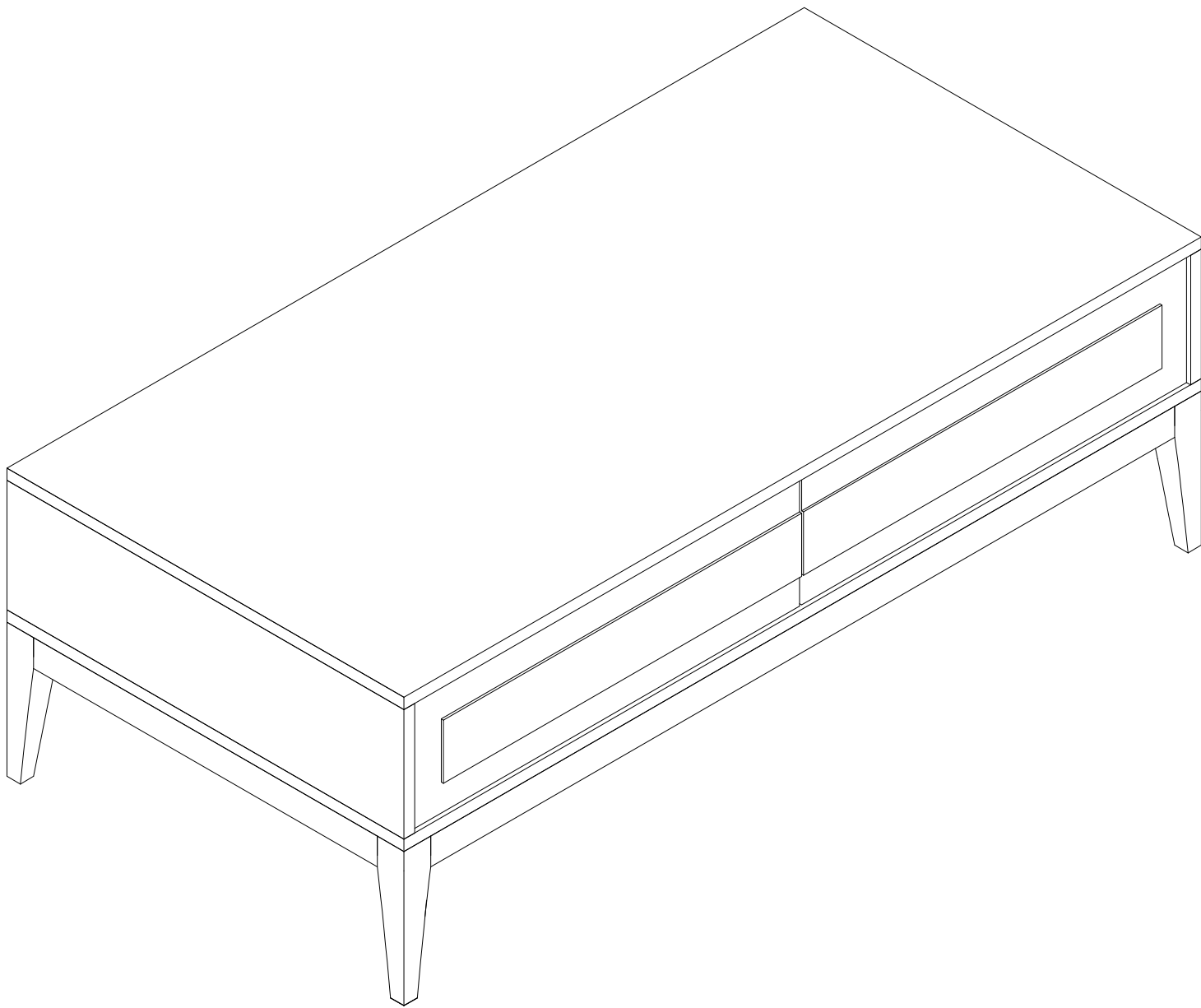
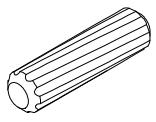
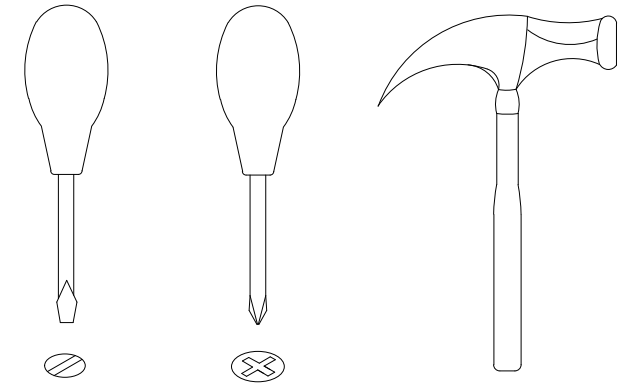
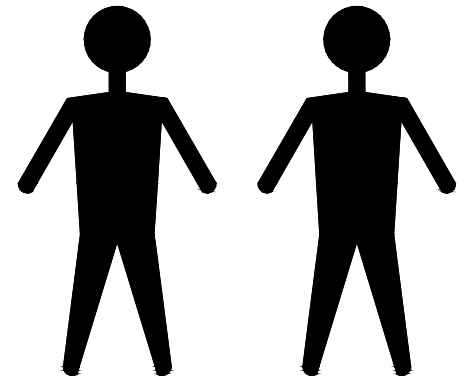


MDI. ET. MRB. 16

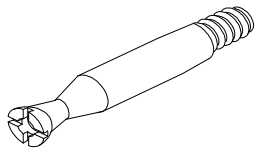


EAC

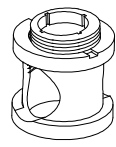
MDI. ET. MRB. 16



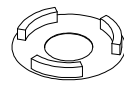
A x4
Spec: $\varnothing 8 \times 30$



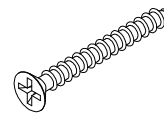
B x8
Spec: $\varnothing 7 \times L48$



C x8
Spec: $\varnothing 15 \times H15$



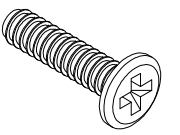
D x12
Spec:



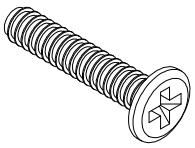
F x10
Spec: $\varnothing 3.8 \times L38$



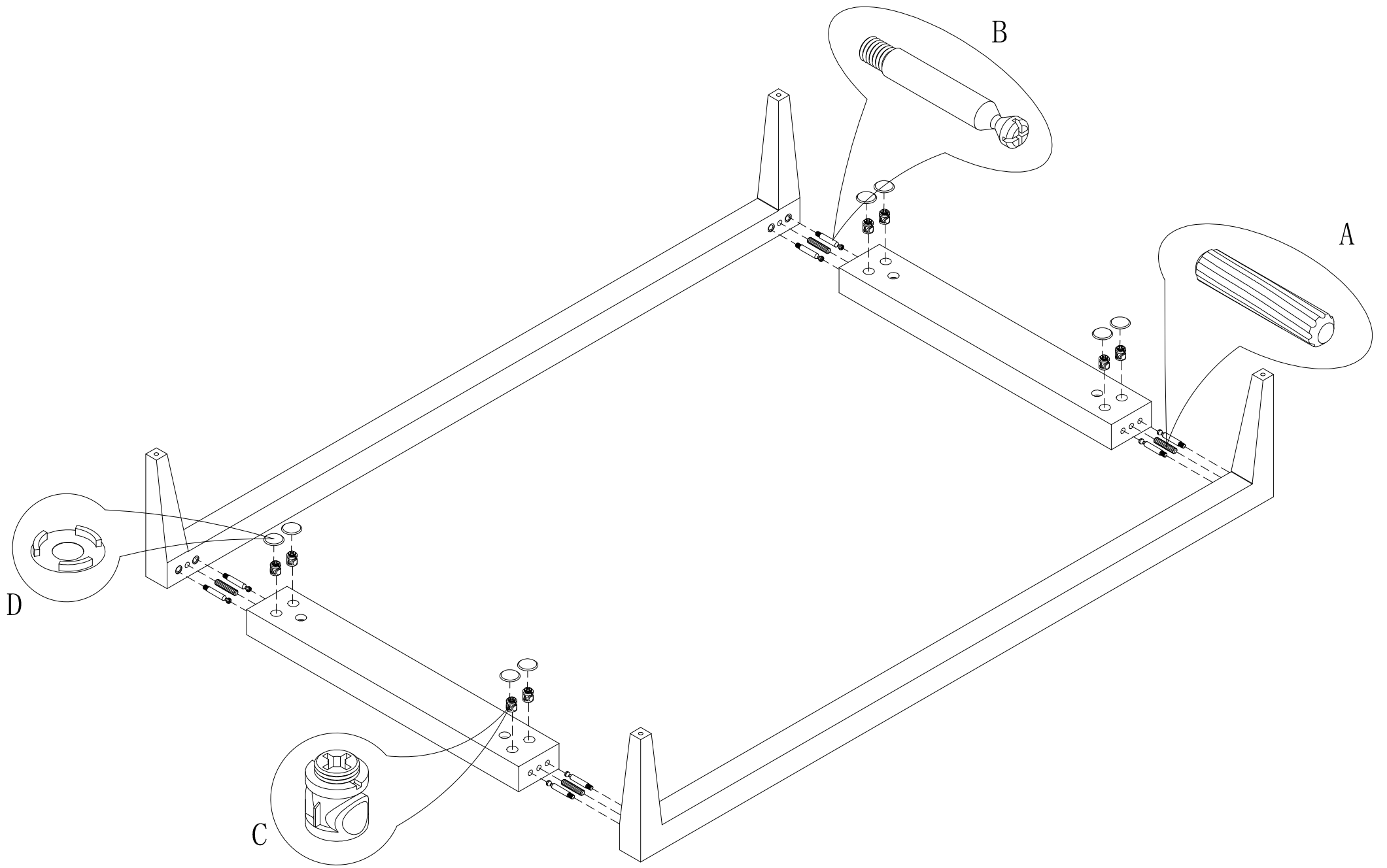
G x12
Spec: $\varnothing 8 \times \varnothing 14$



H x4
Spec: M6*45

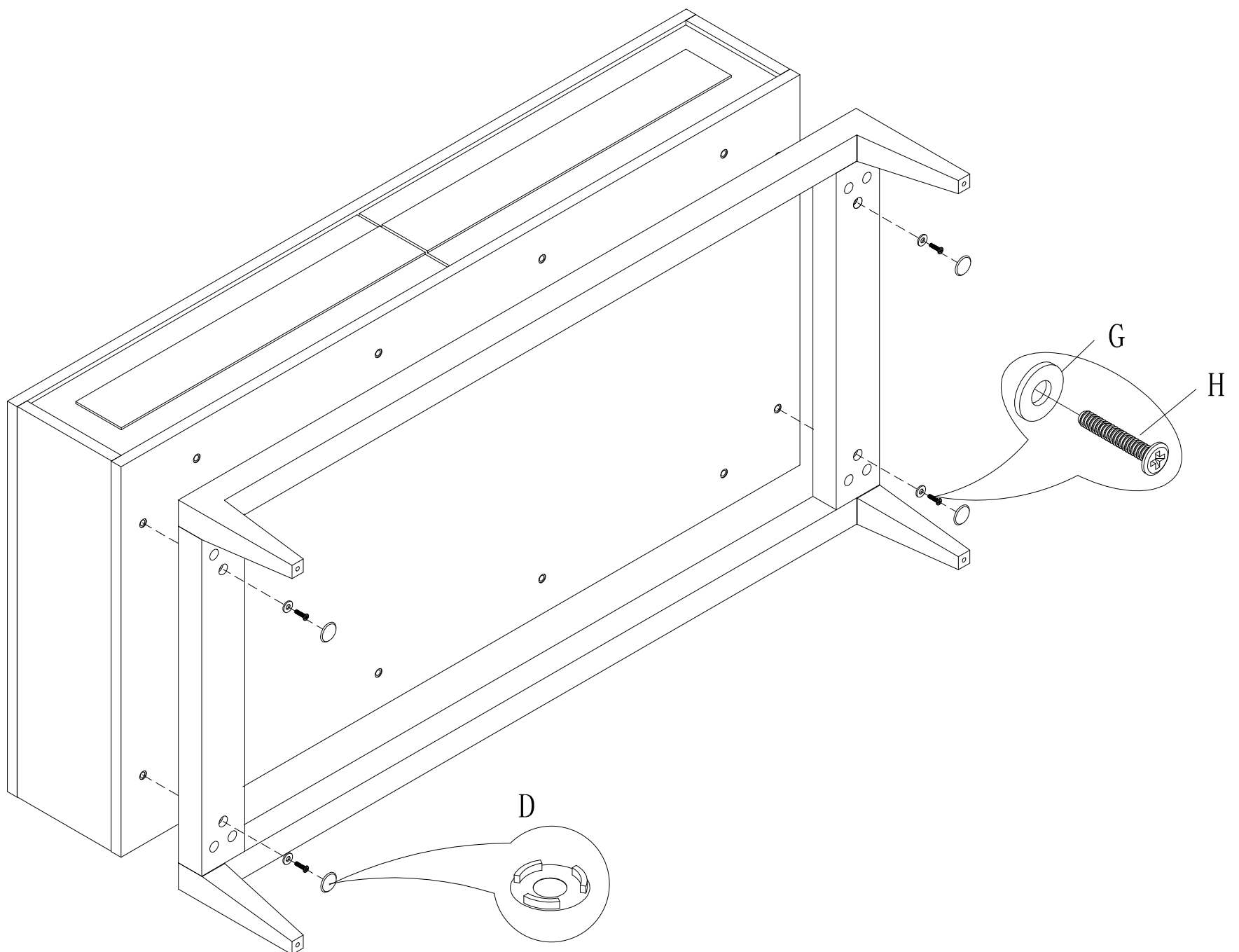


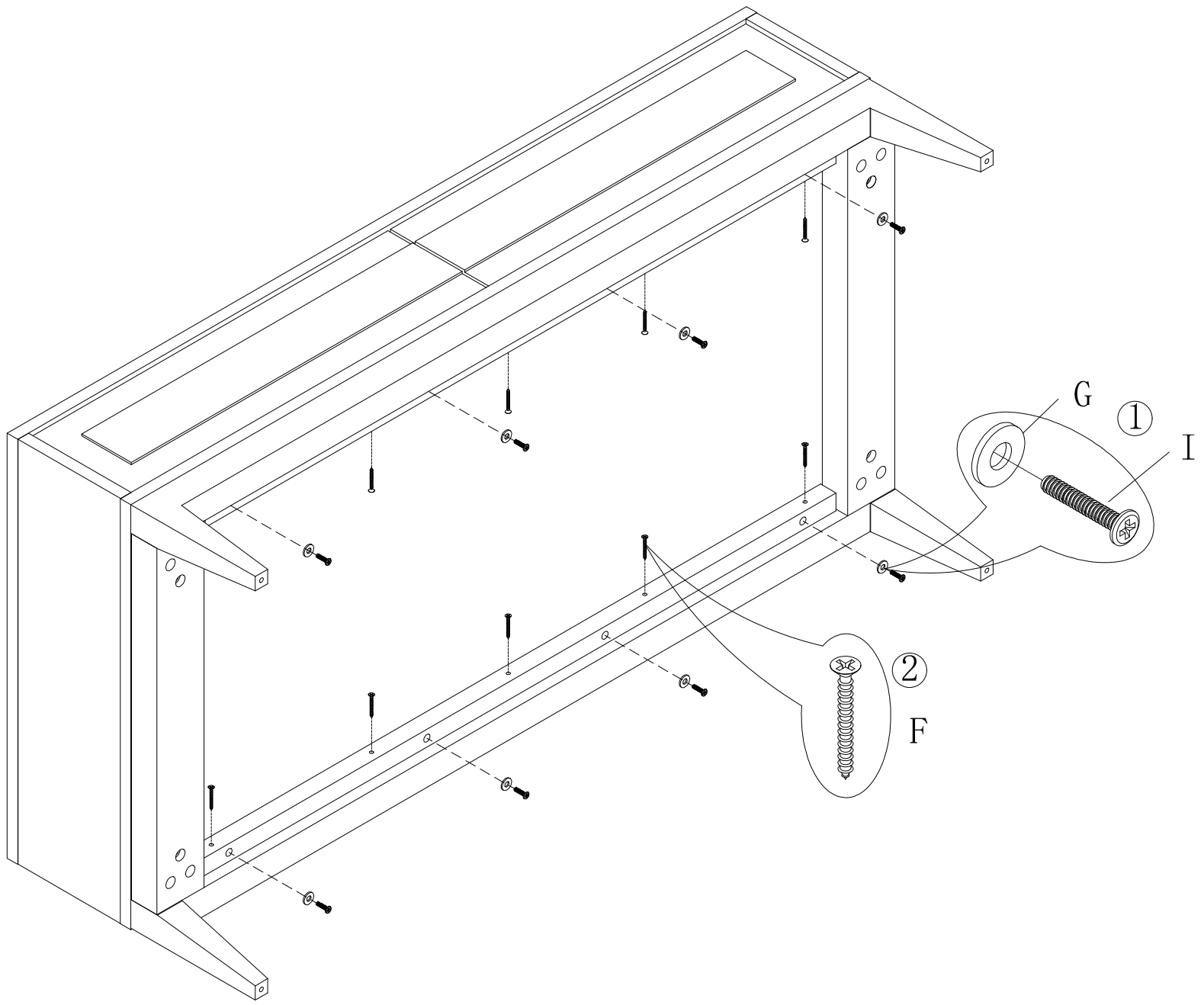
I x8
Spec: M6*35



1

2





3

4

