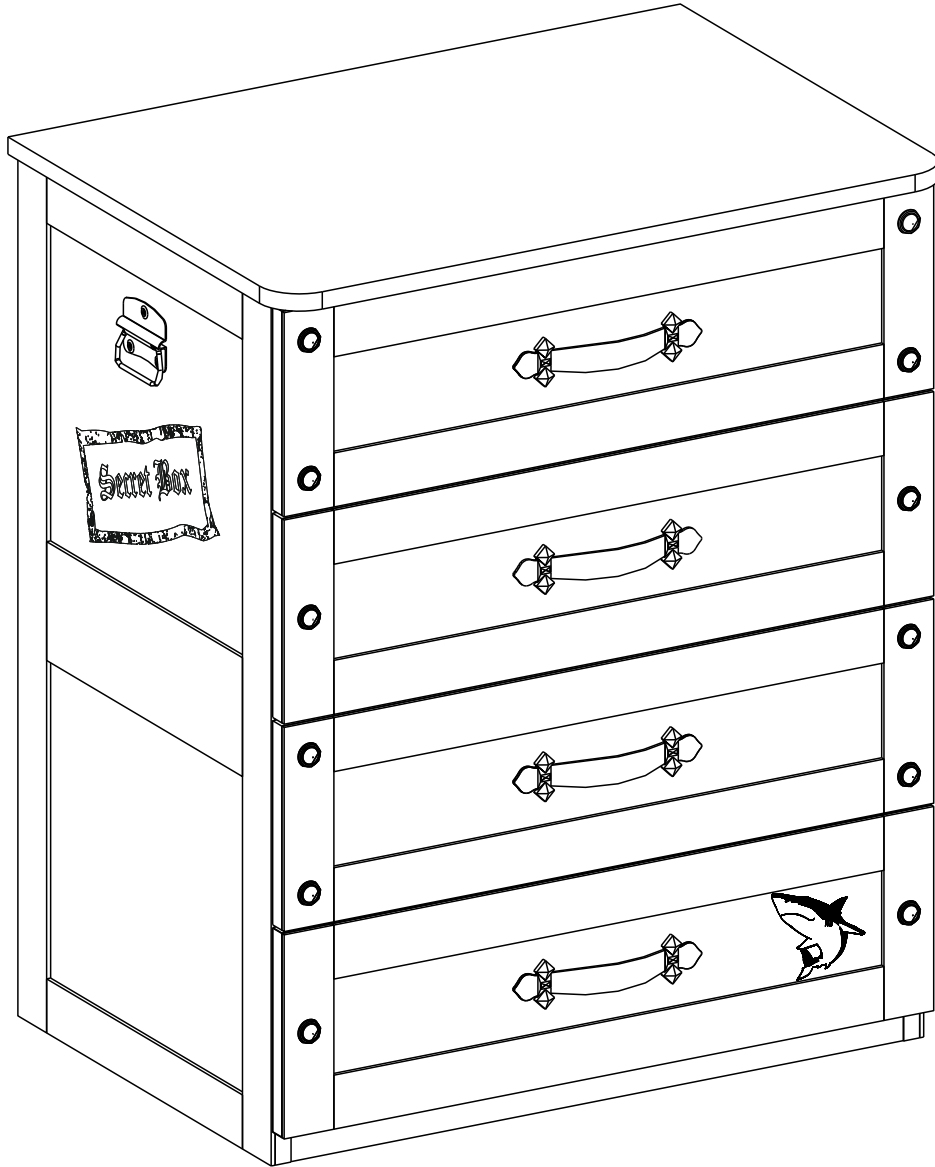
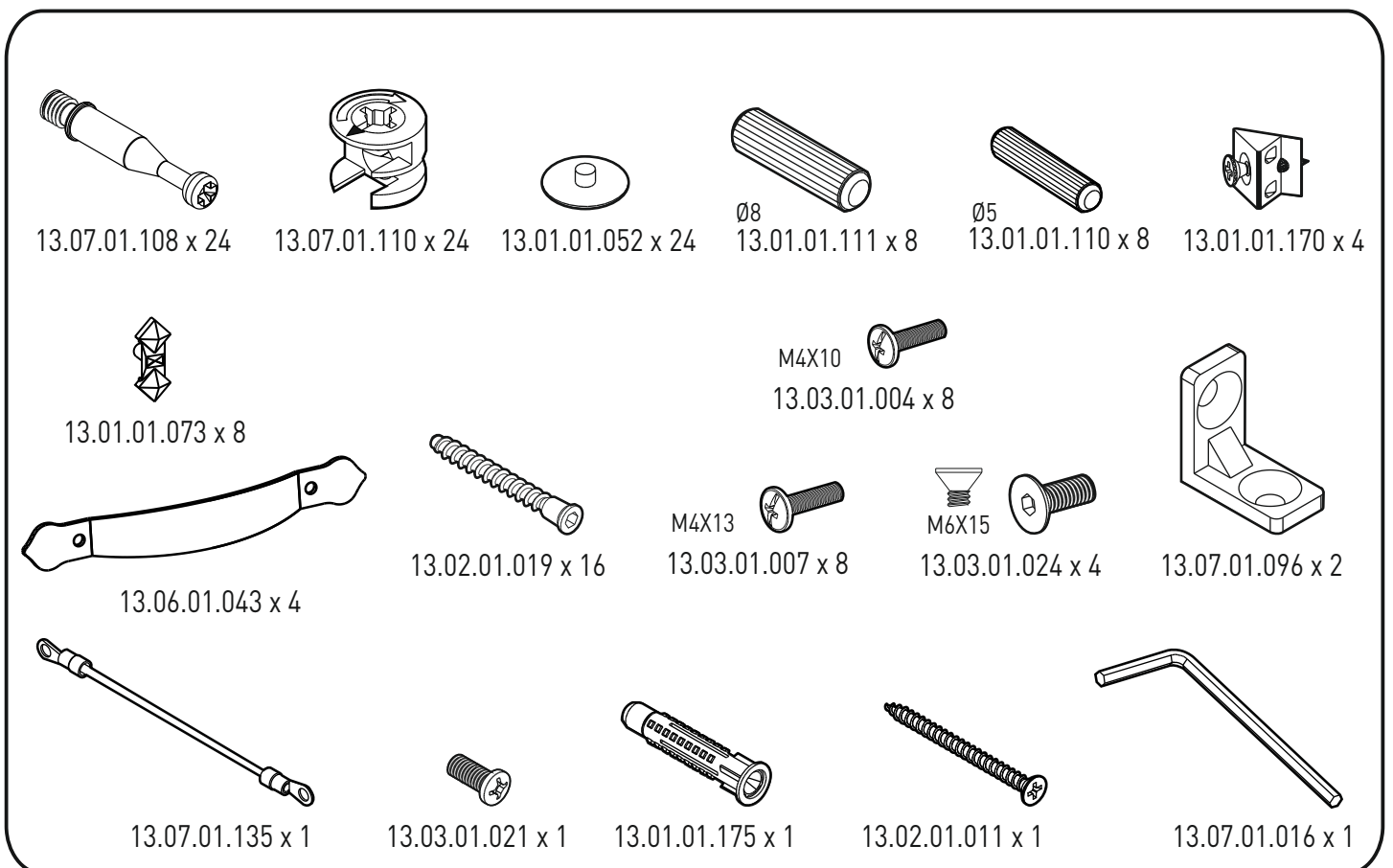
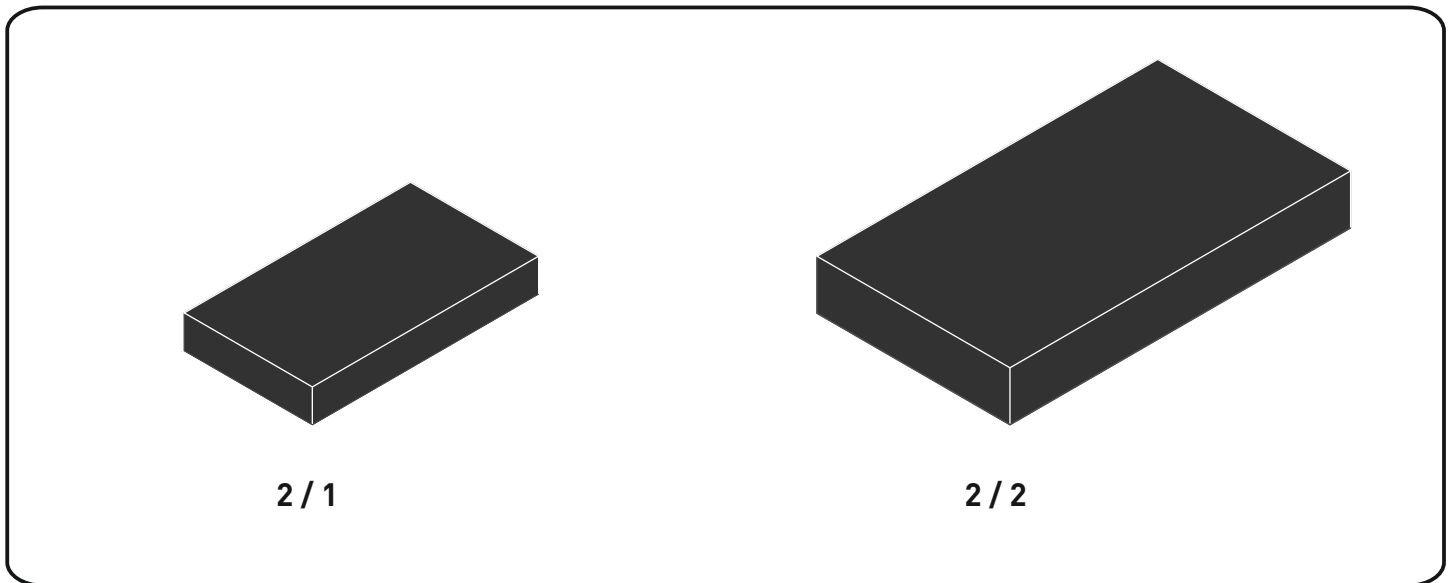
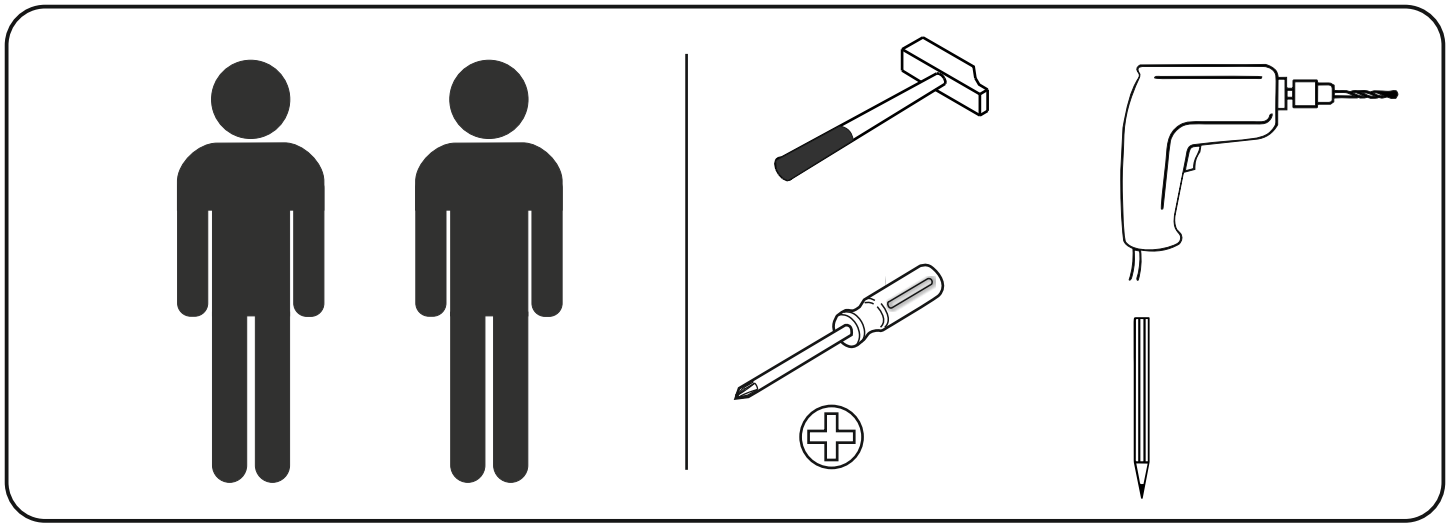
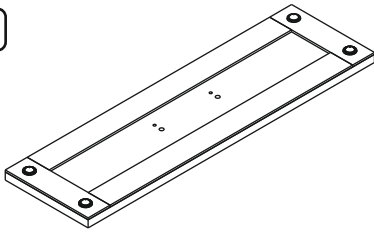


20.13.1201.00

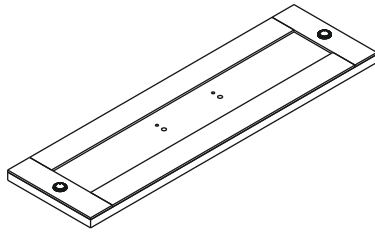




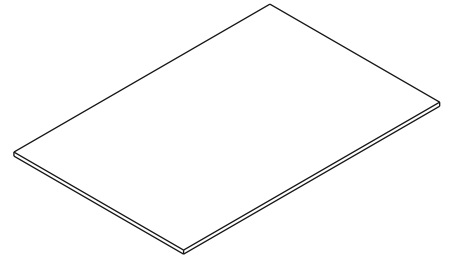
2/1



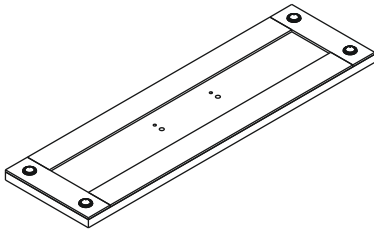
18.13.1201.028 x 1



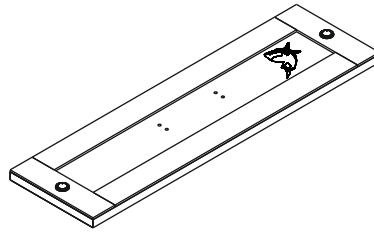
18.13.1201.022 x 1



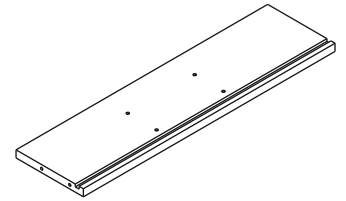
18.13.1201.026 x 4



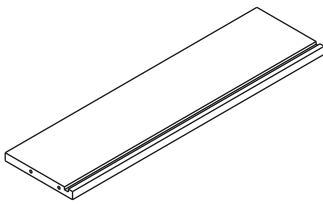
18.13.1201.018 x 1



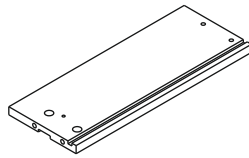
18.13.1201.027 x 1



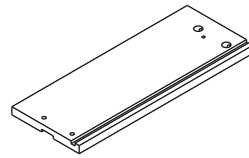
18.13.1201.029 x 1



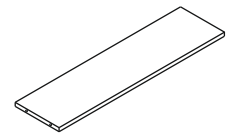
18.13.1201.025 x 3



18.13.1201.023 x 4

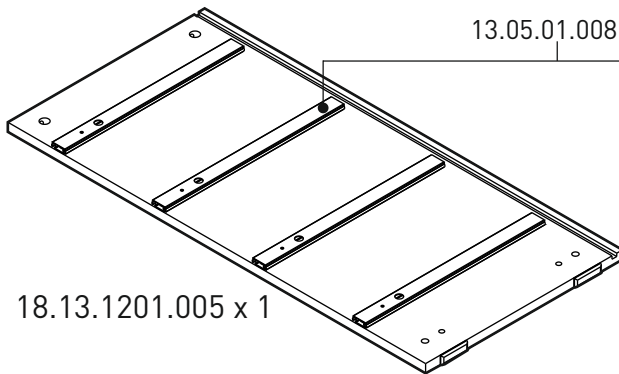


18.13.1201.024 x 4

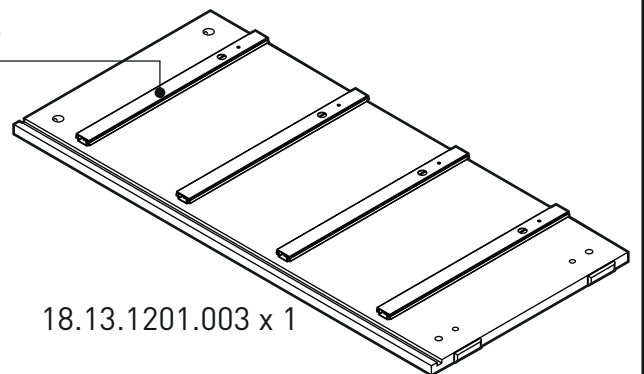


18.13.1201.011 x 2

2/2

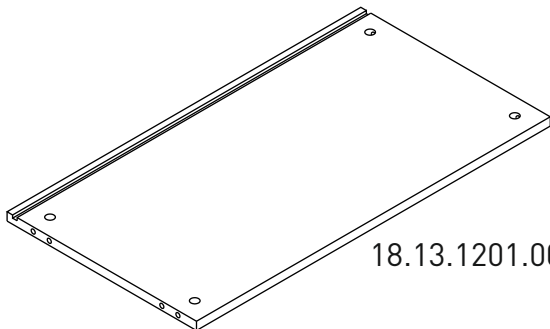


18.13.1201.005 x 1

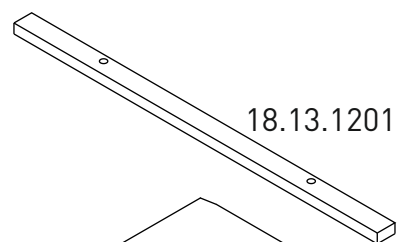


18.13.1201.003 x 1

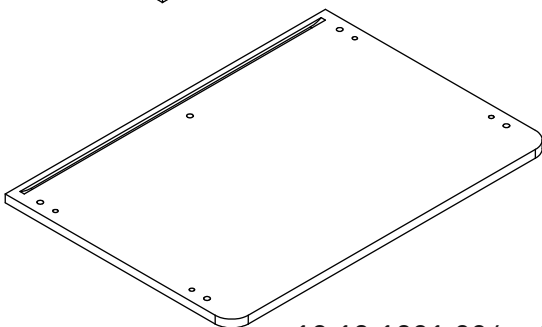
13.05.01.008 x 8



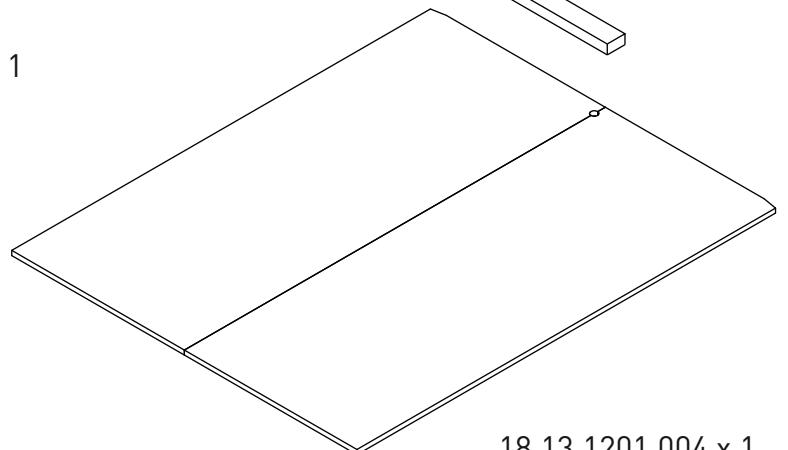
18.13.1201.001 x 1



18.13.1201.002 x 1

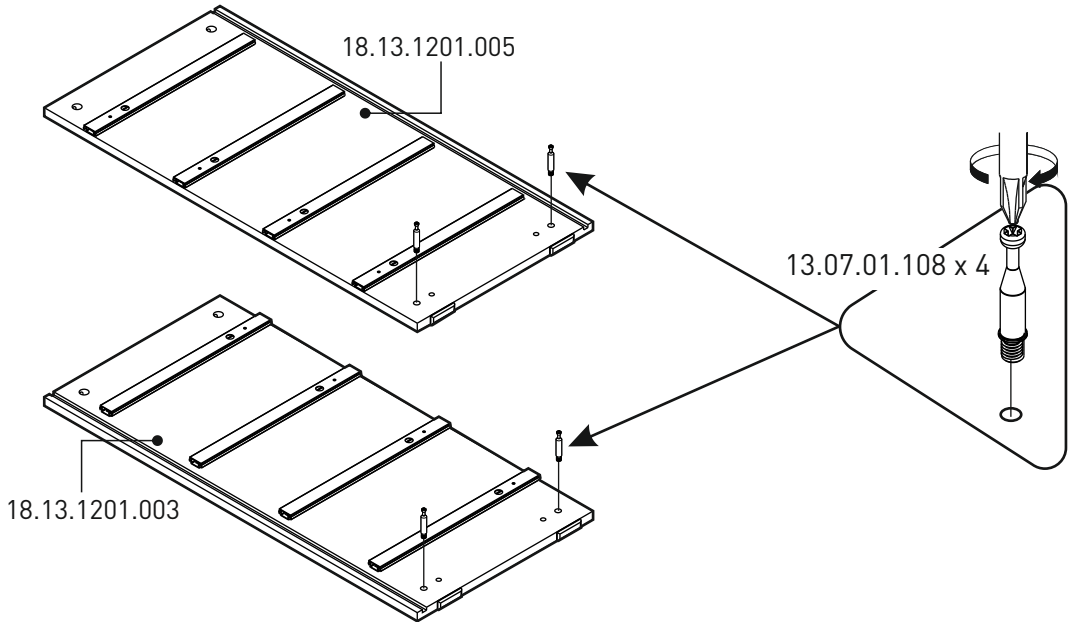


18.13.1201.006 x 1

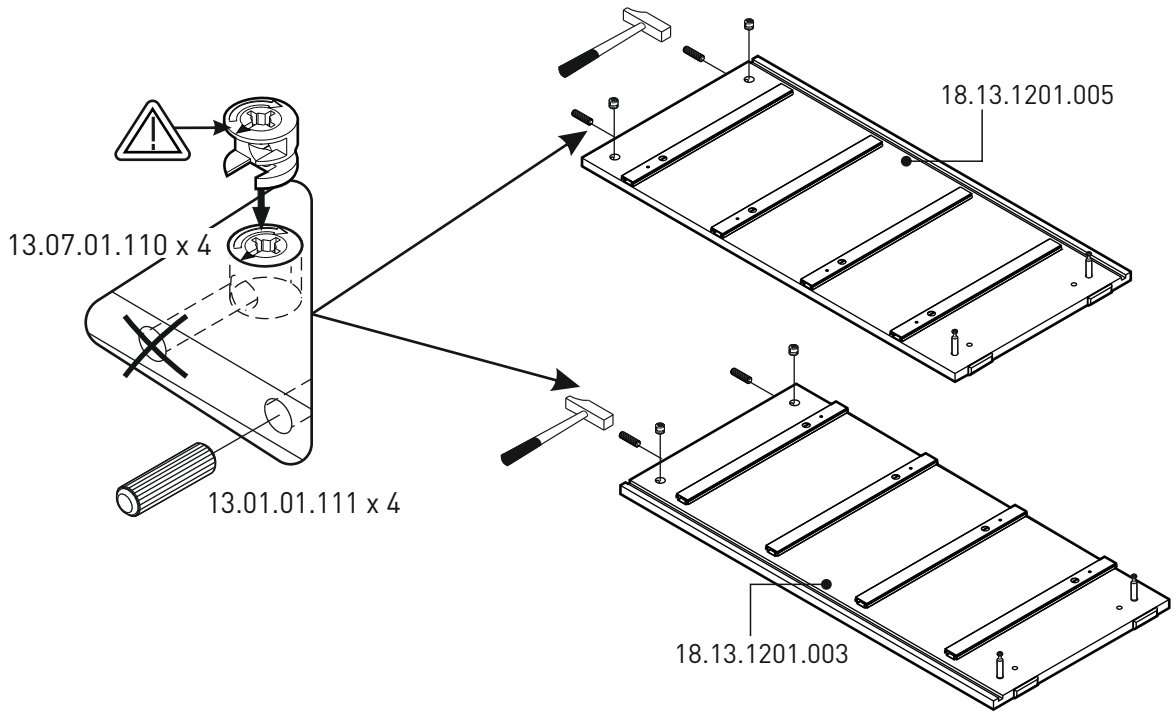


18.13.1201.004 x 1

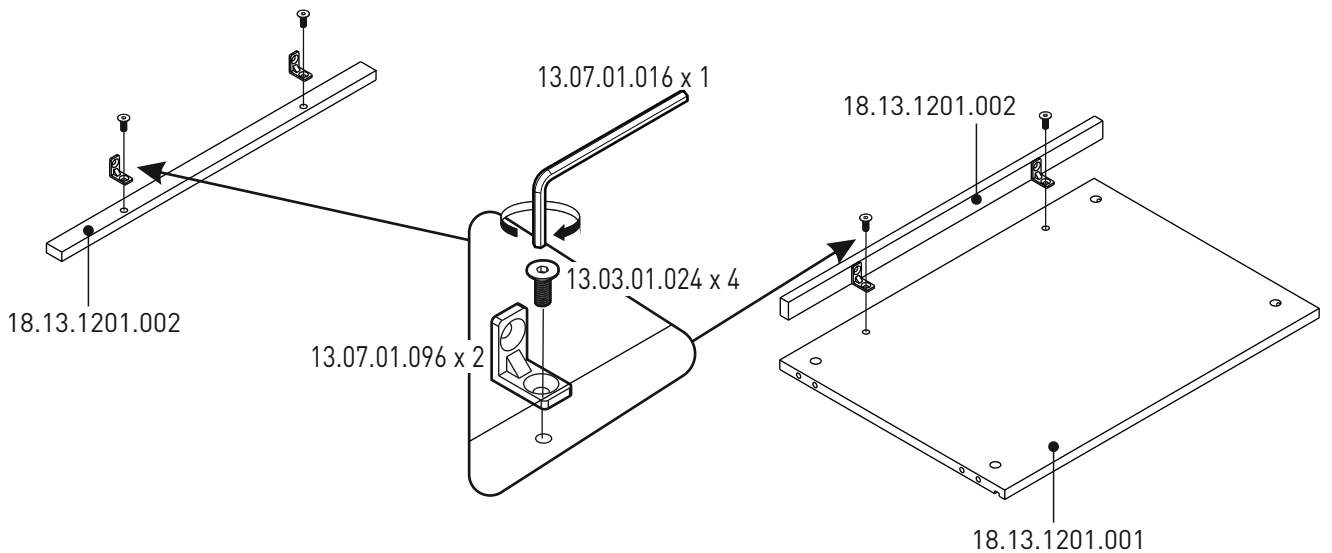
1



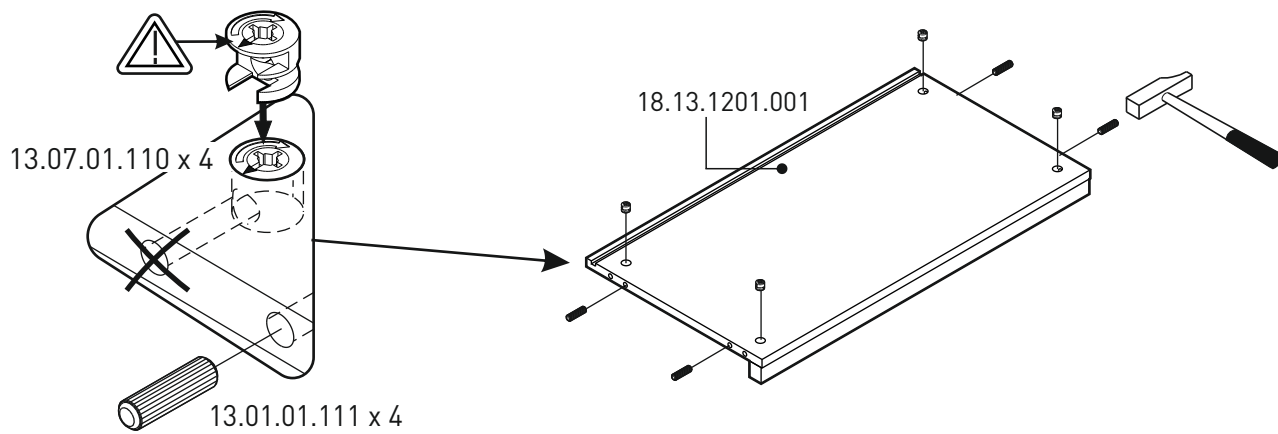
2



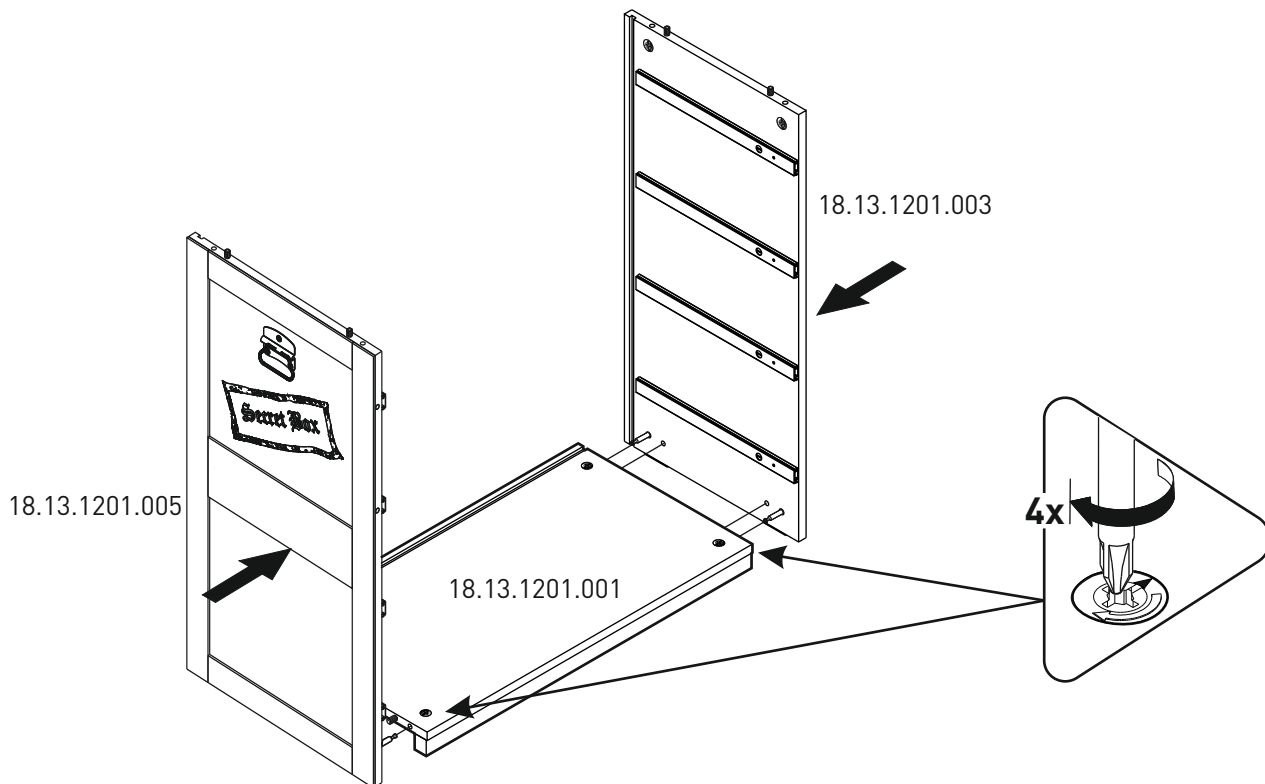
3



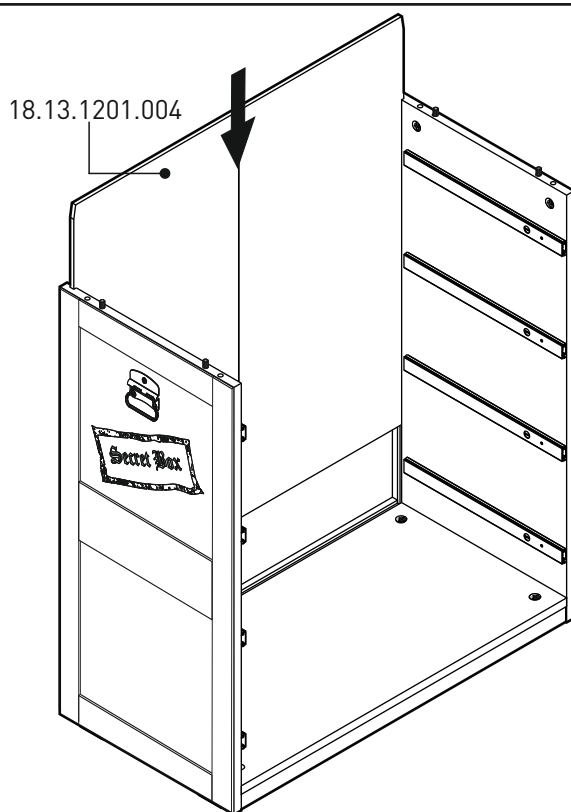
4



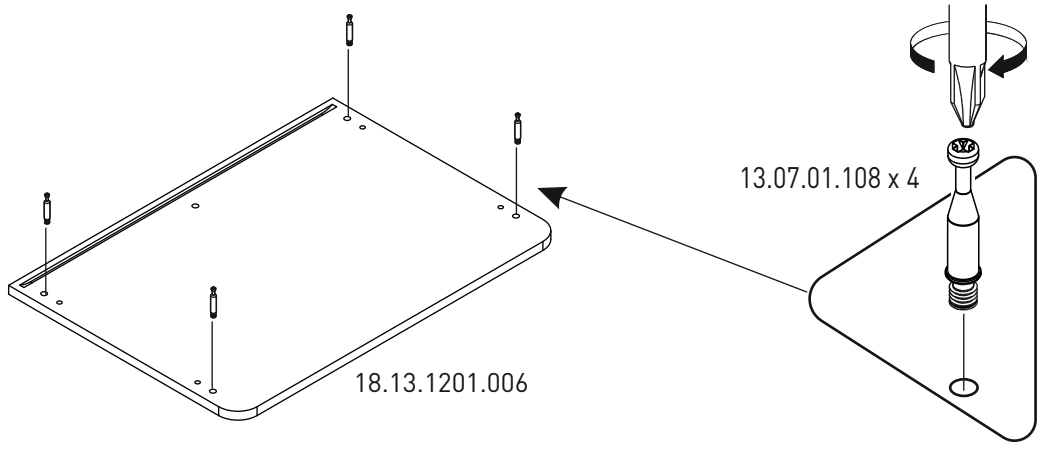
5



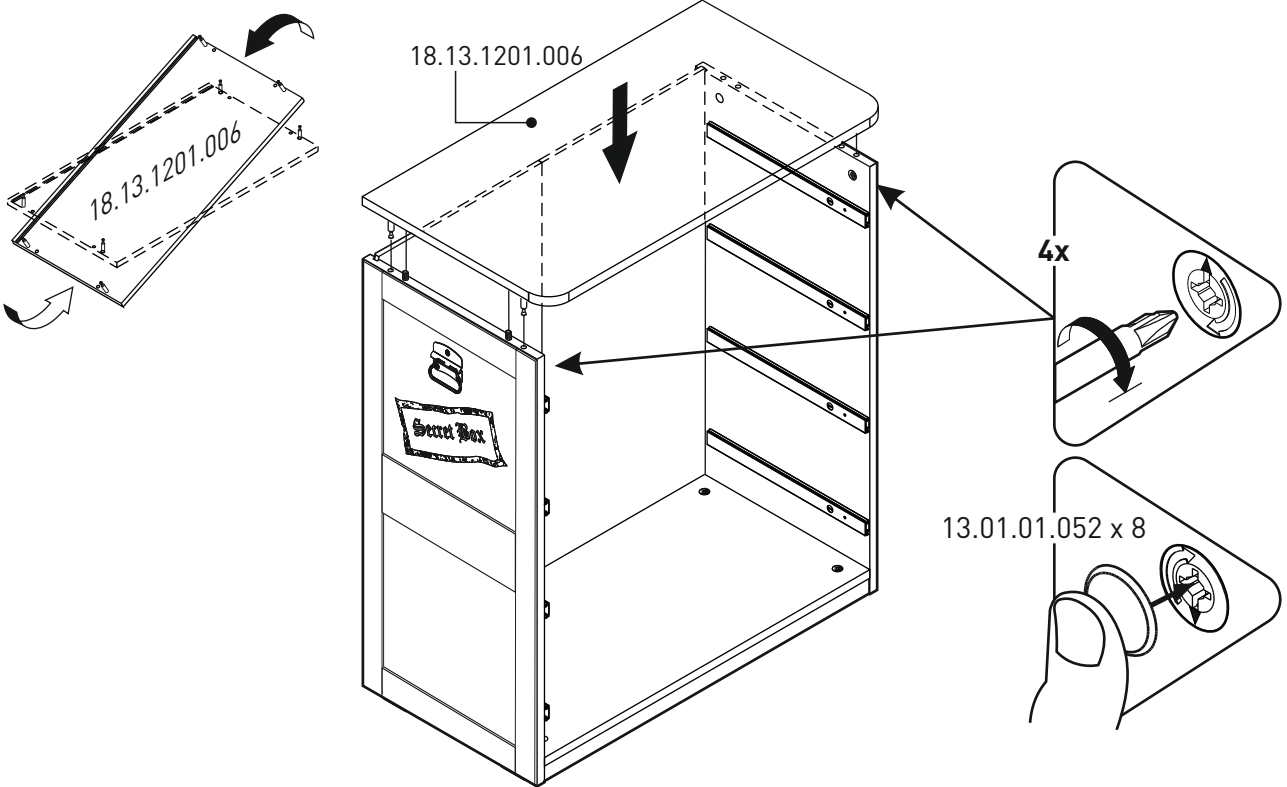
6



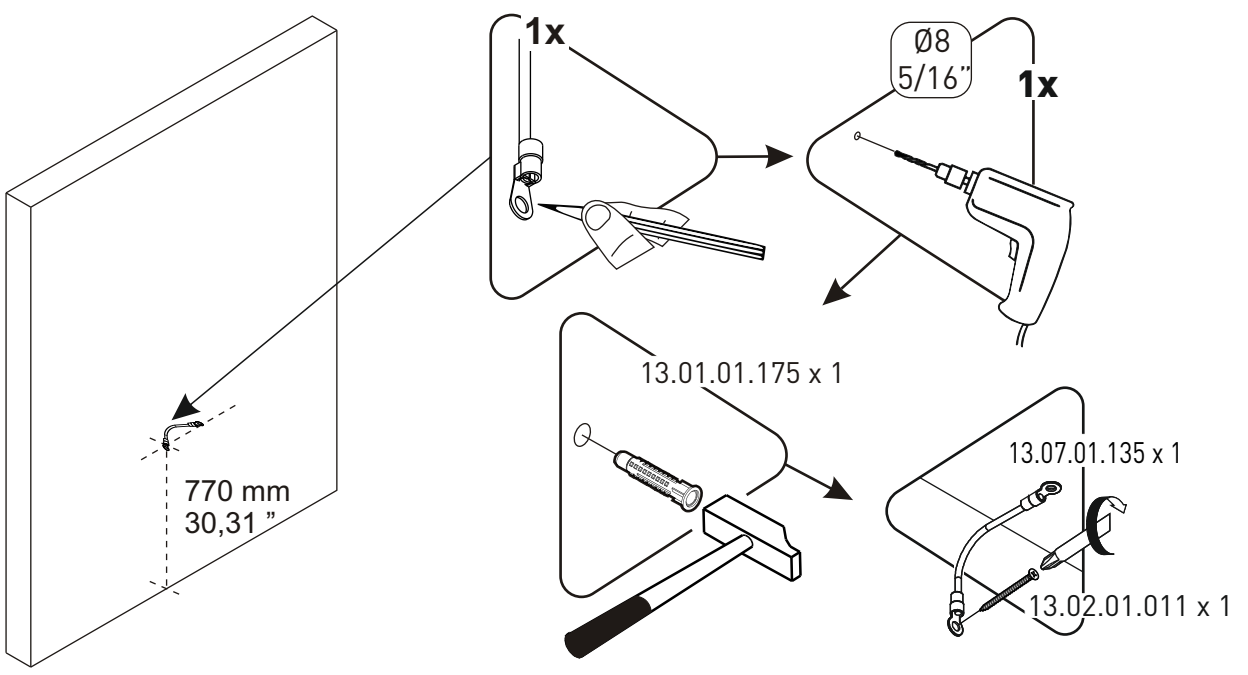
7



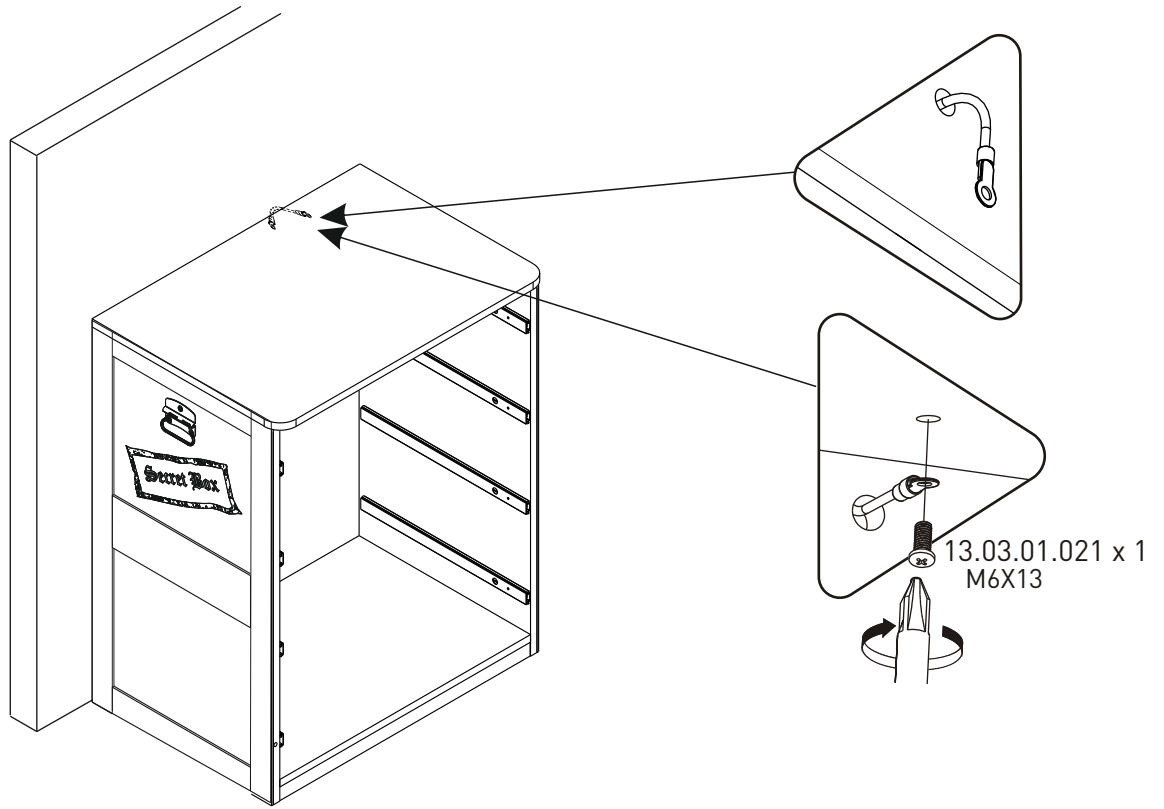
8



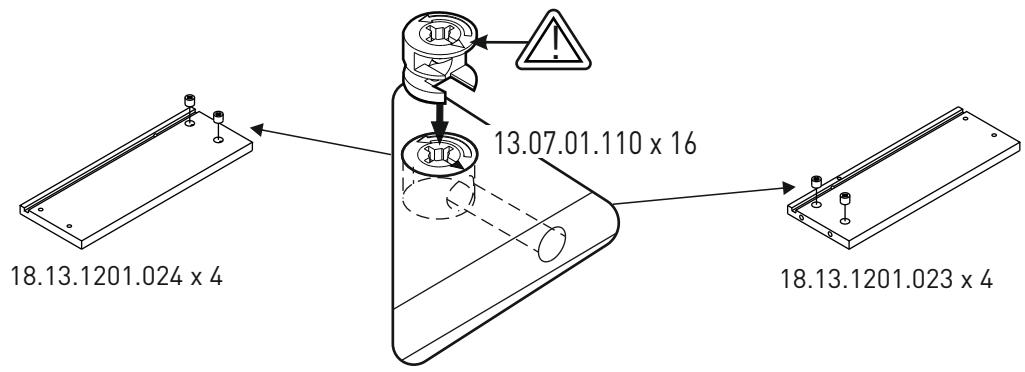
9



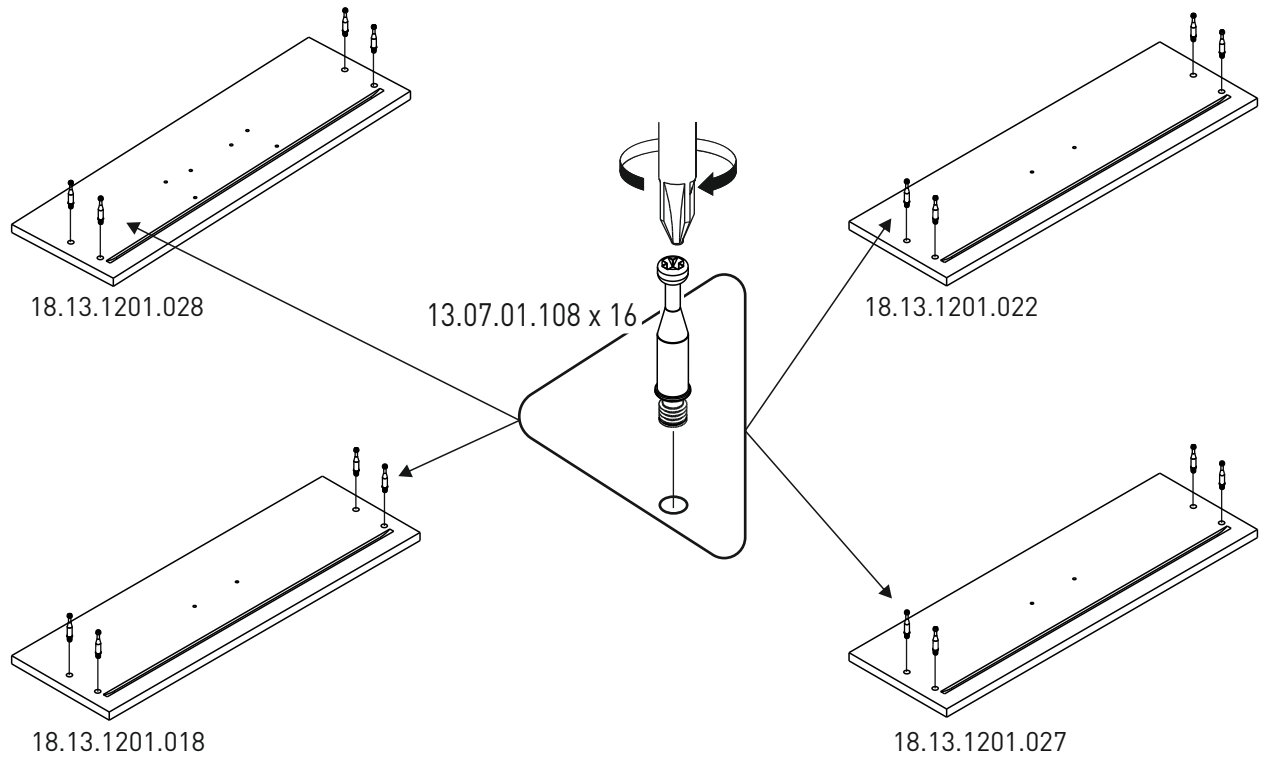
10



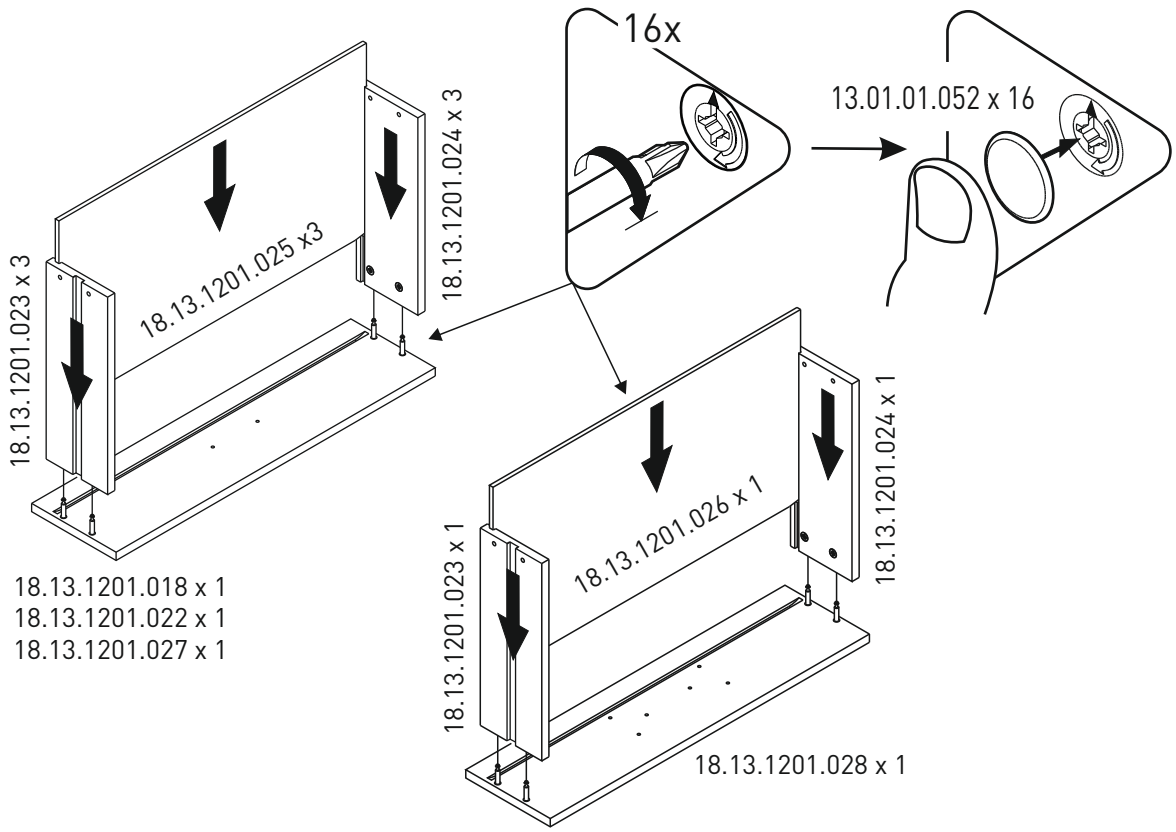
11



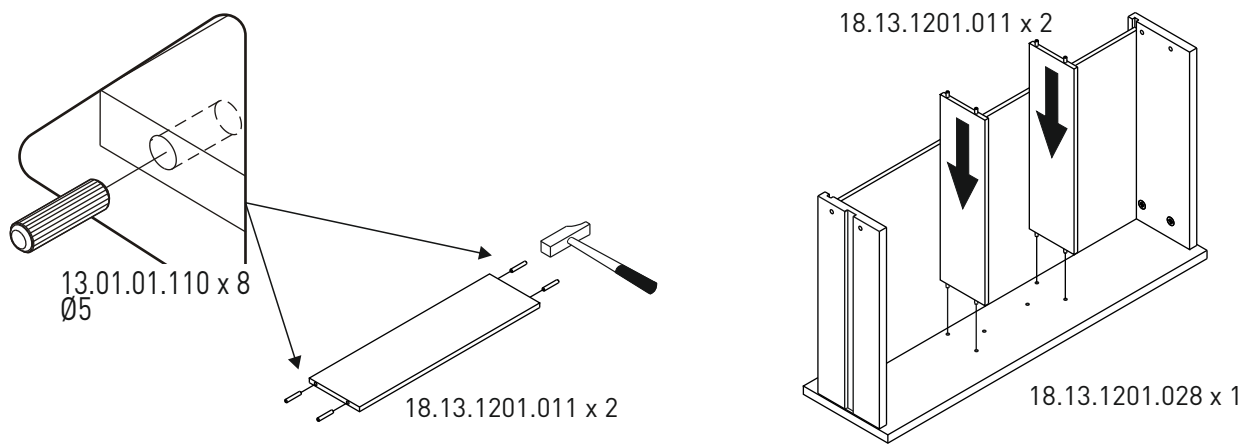
12



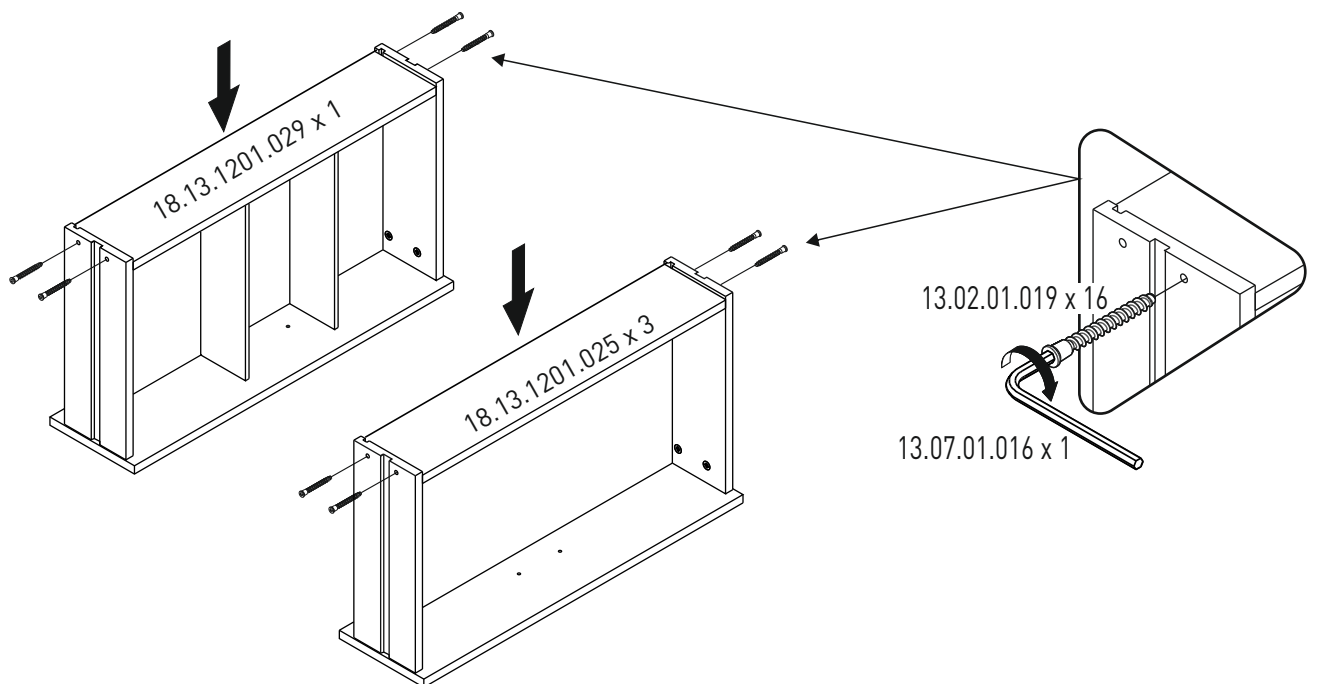
13



14

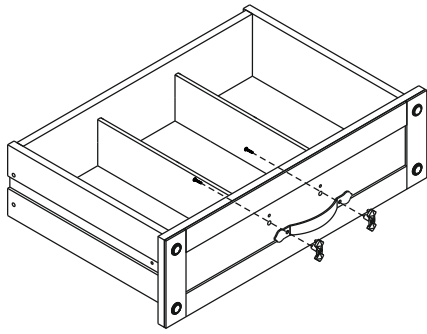


15

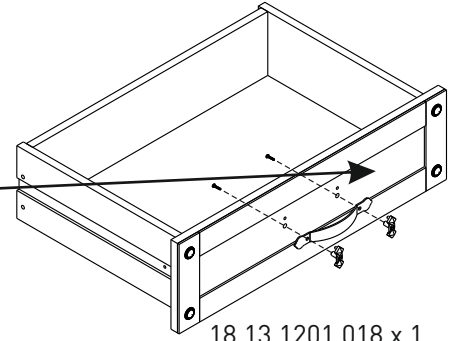
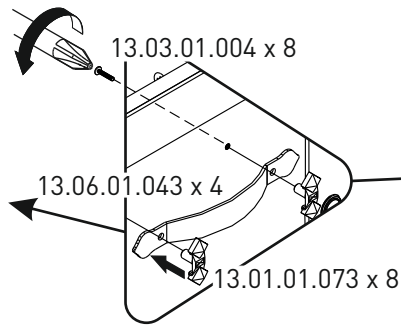




16

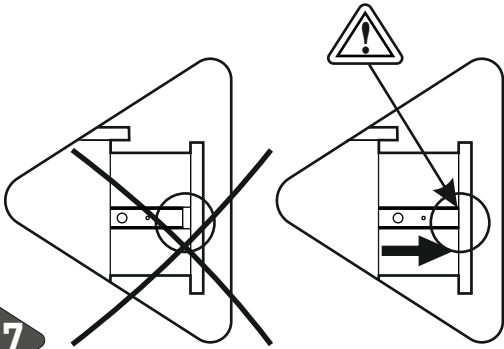


18.13.1201.028 x 1

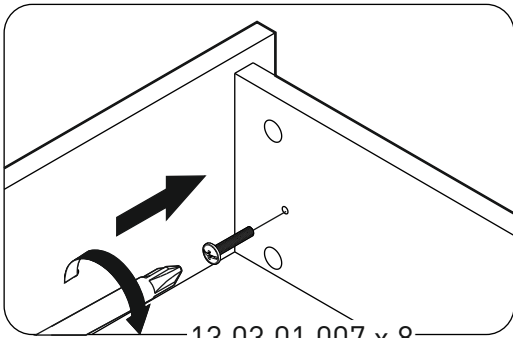


18.13.1201.018 x 1  
18.13.1201.022 x 1  
18.13.1201.027 x 1

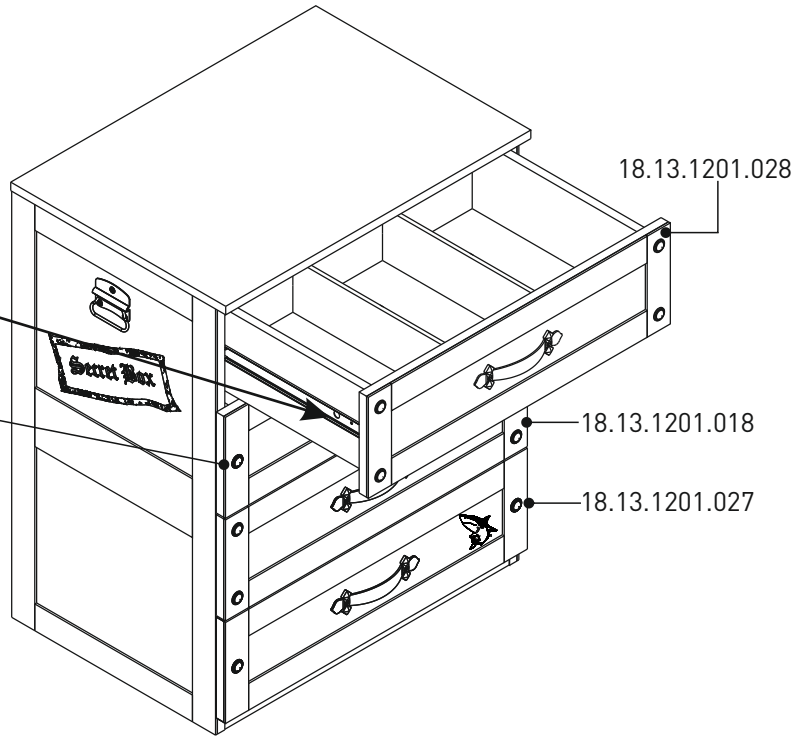
17



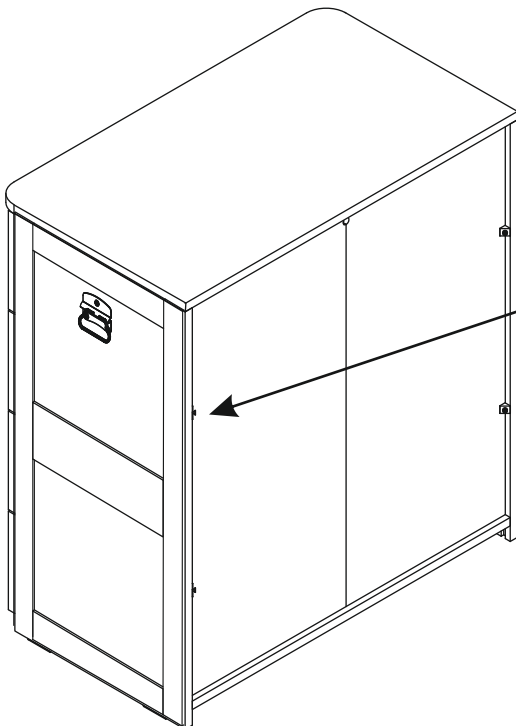
18.13.1201.022



13.03.01.007 x 8



18



13.06.01.040 x 4

