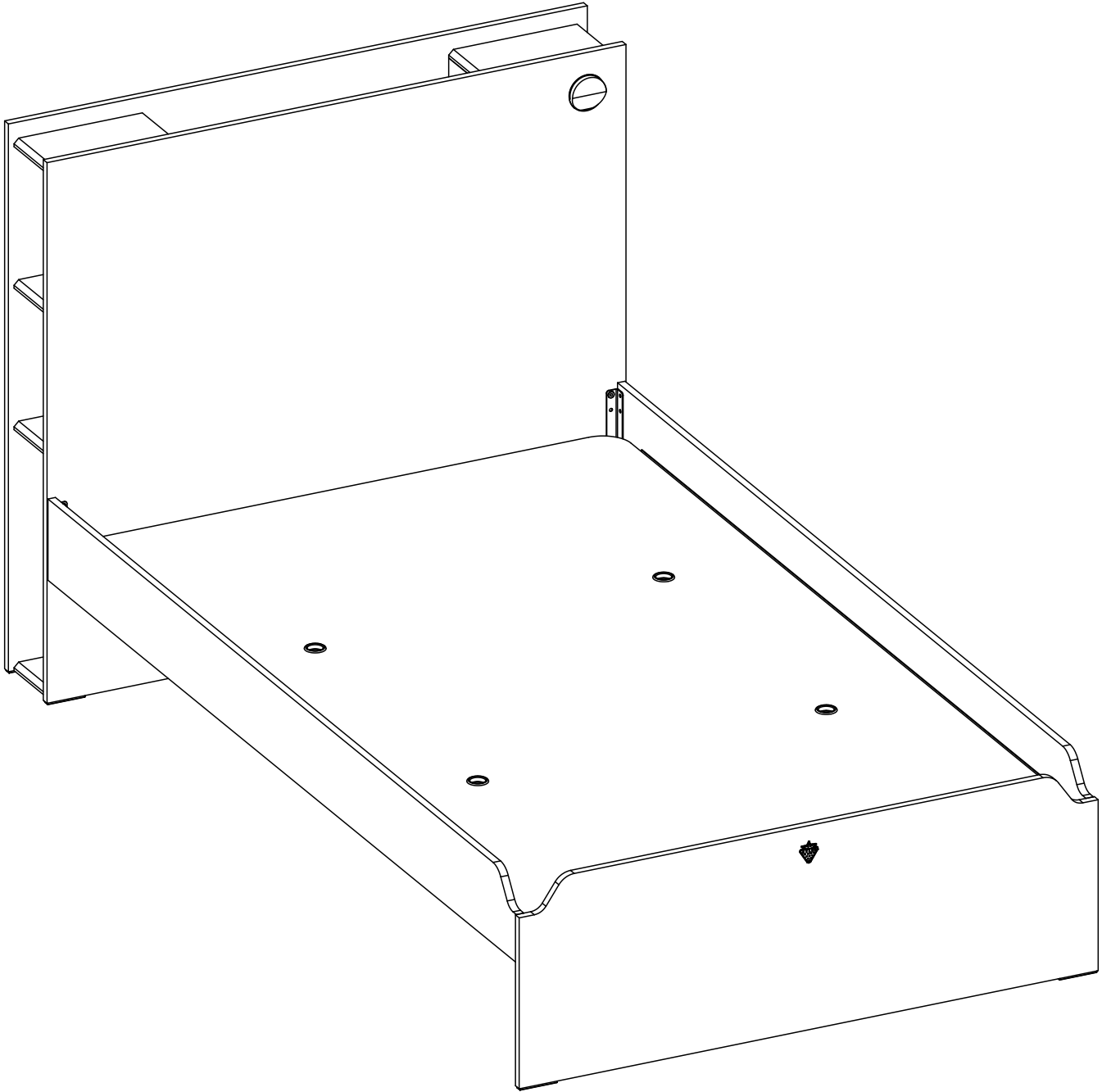
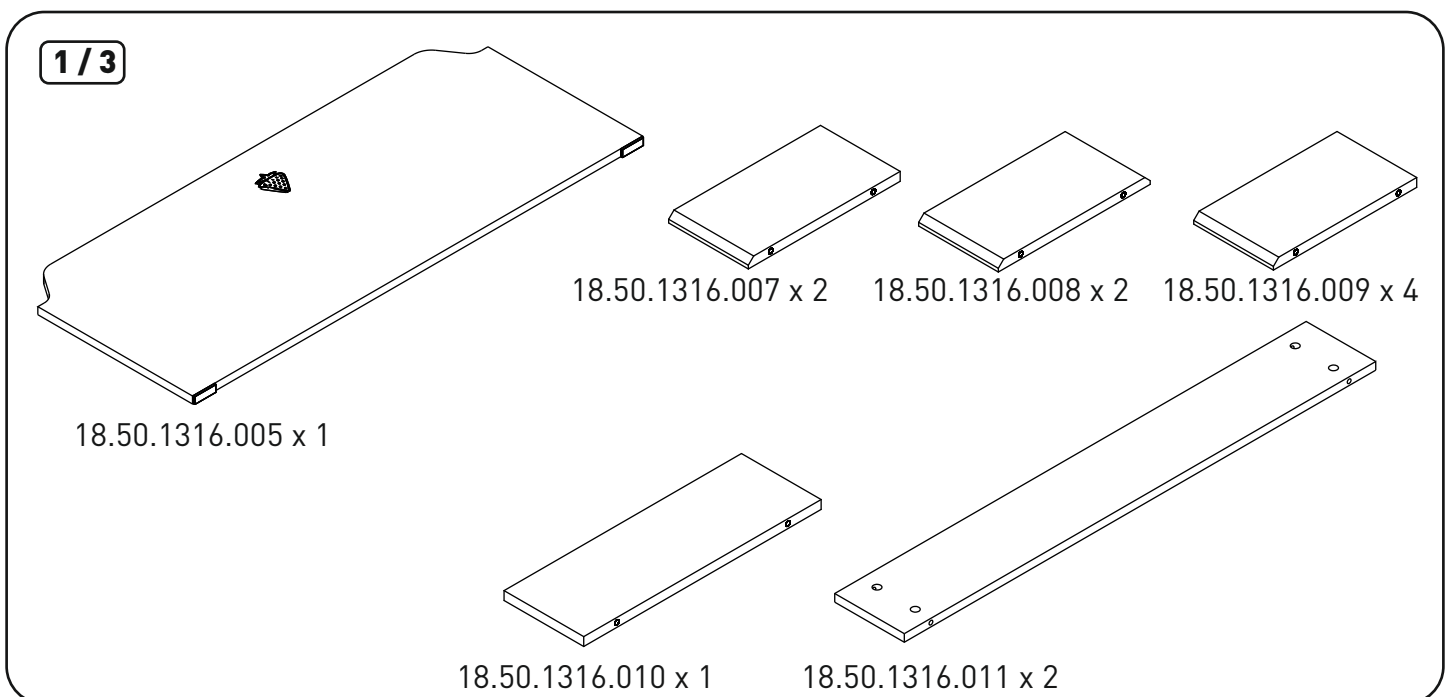
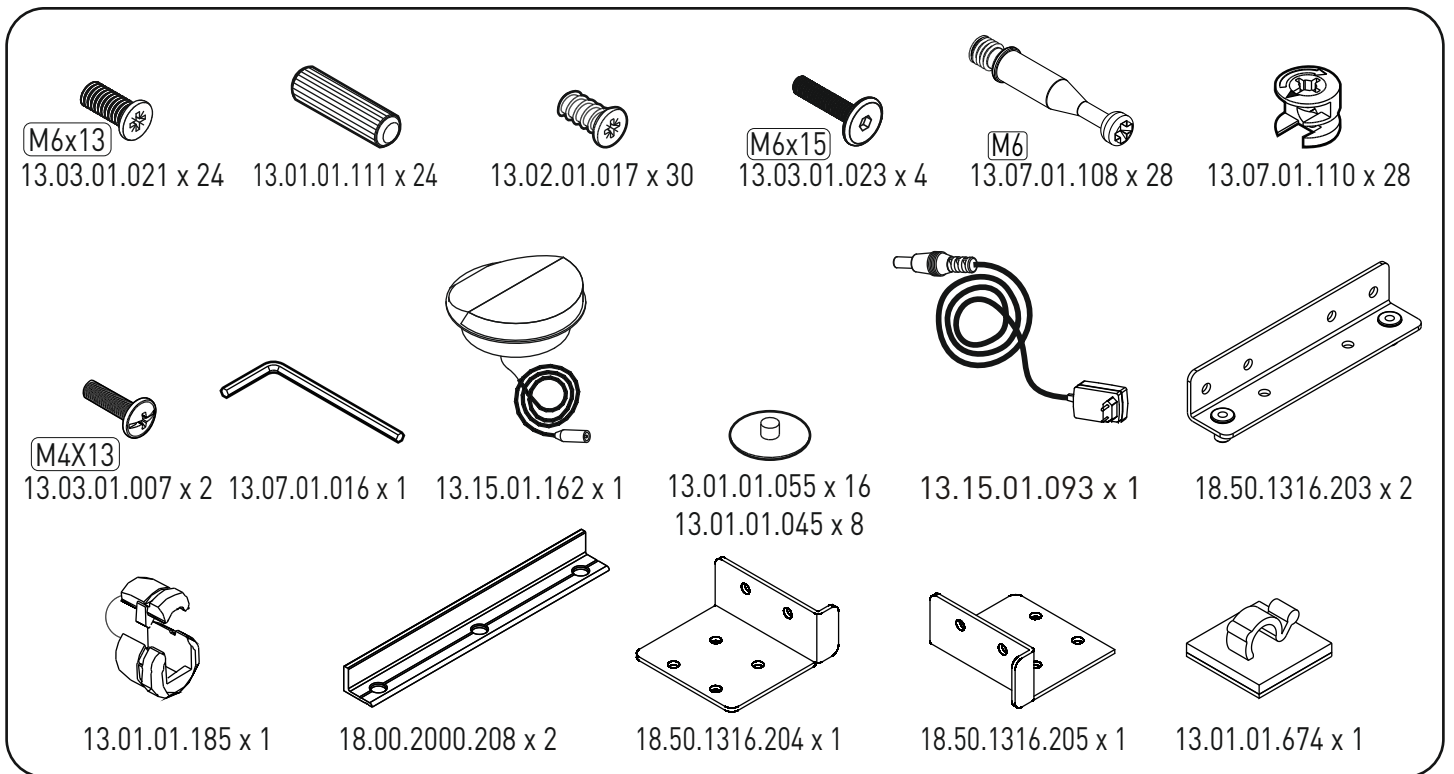
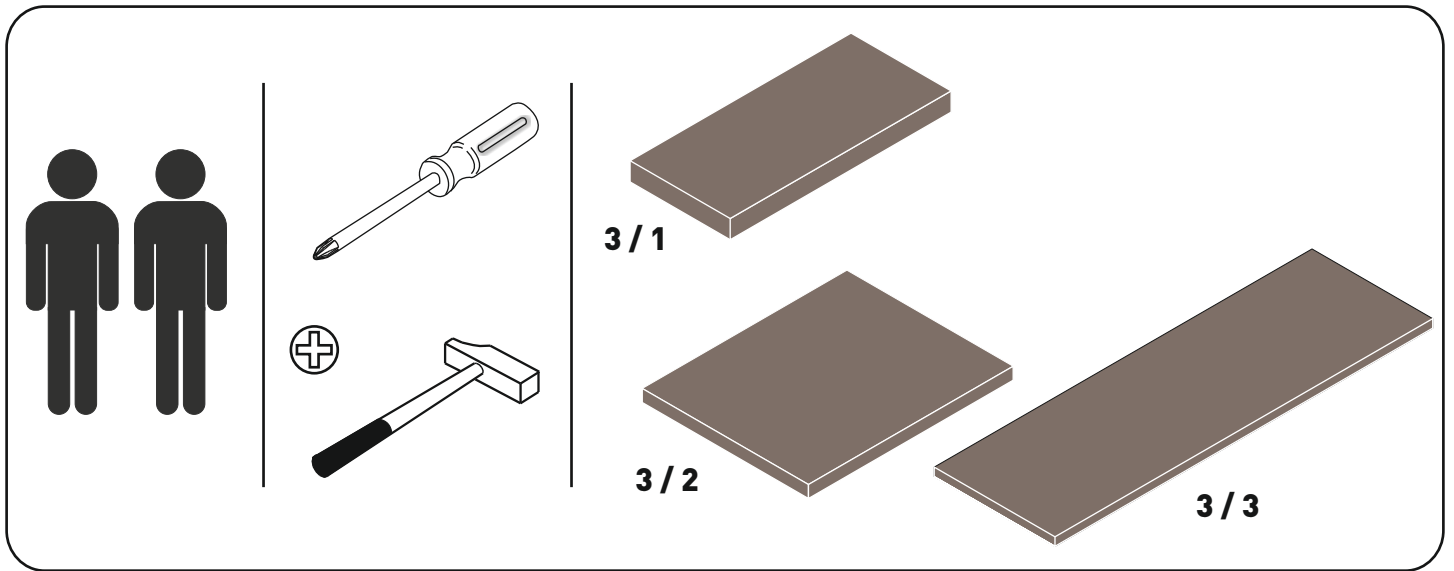
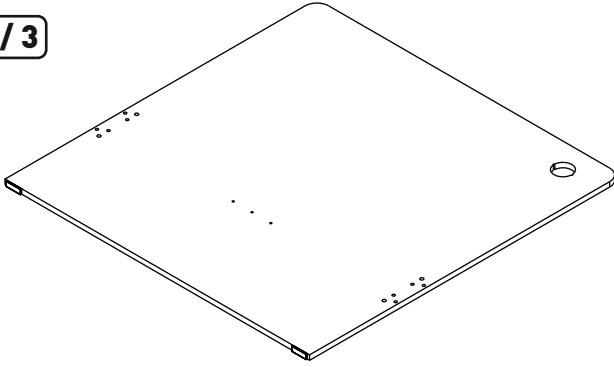


20.50.1316.00

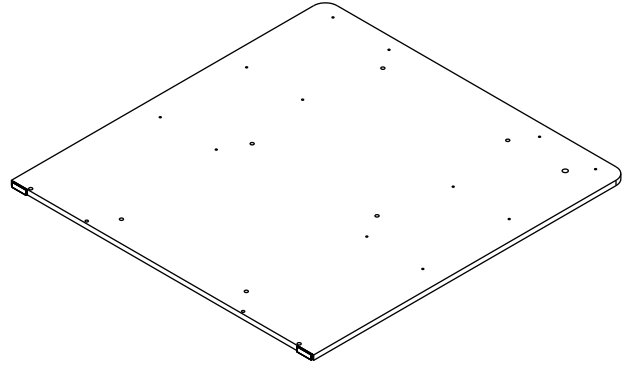




2/3



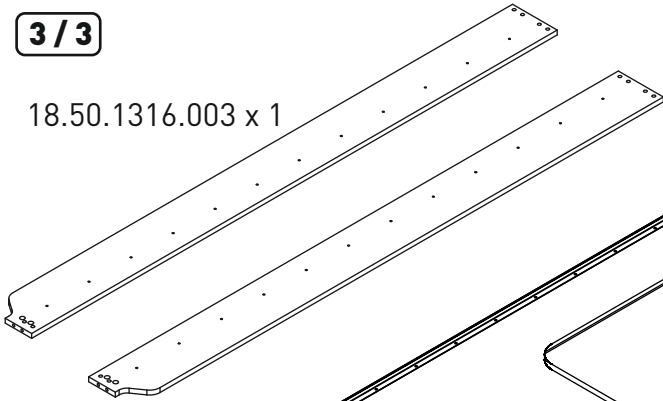
18.50.1316.001 x 1



18.50.1316.002 x 1

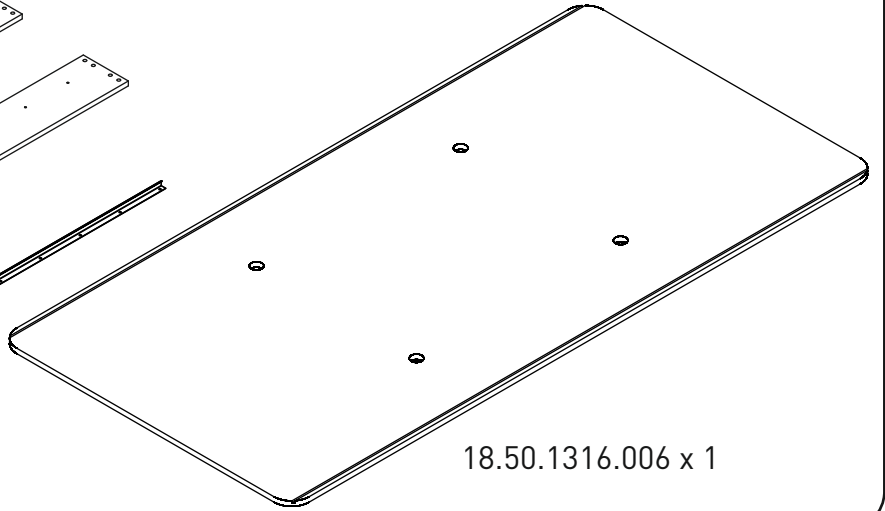
3/3

18.50.1316.003 x 1

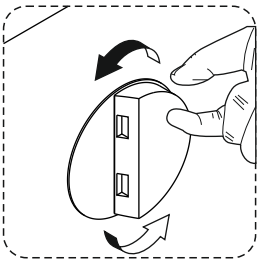


18.50.1316.004 x 1

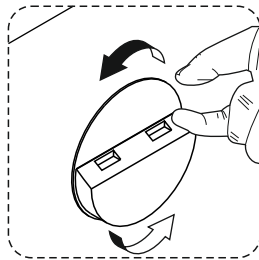
18.50.1316.201 x 2



18.50.1316.006 x 1



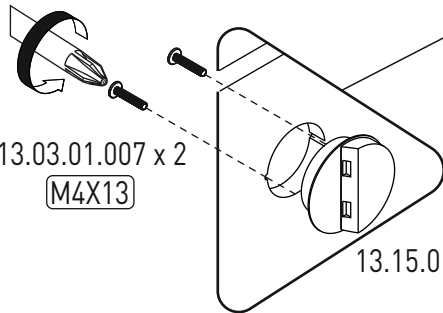
&



1

13.03.01.007 x 2

M4X13

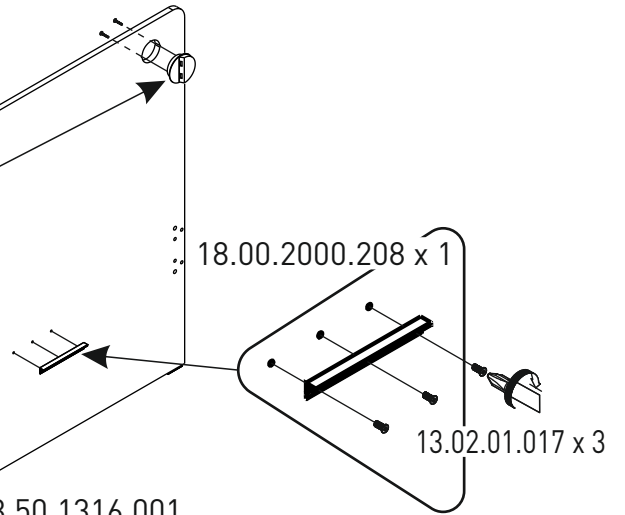


13.15.01.162 x 1

18.50.1316.001

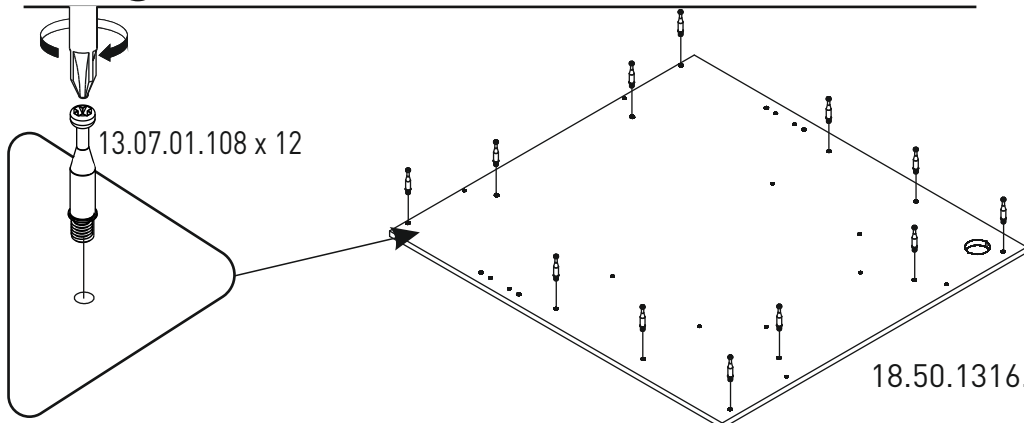
18.00.2000.208 x 1

13.02.01.017 x 3



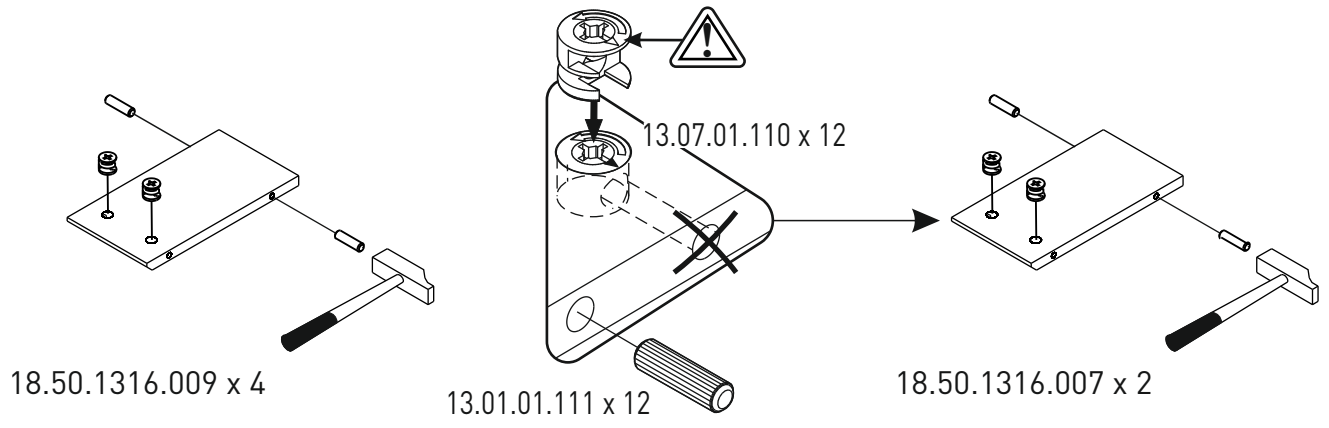
2

13.07.01.108 x 12

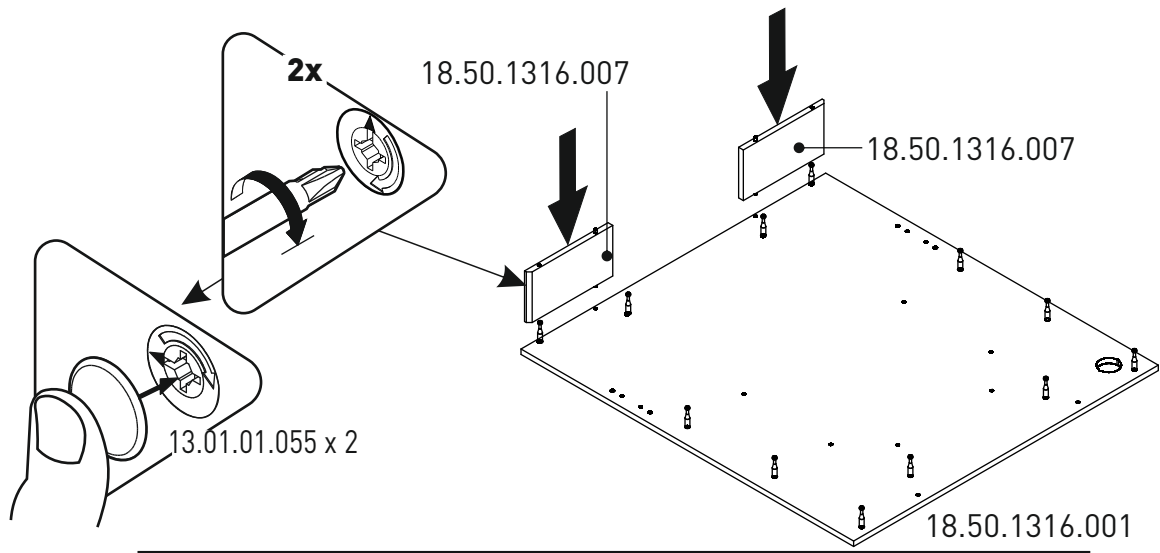


18.50.1316.001

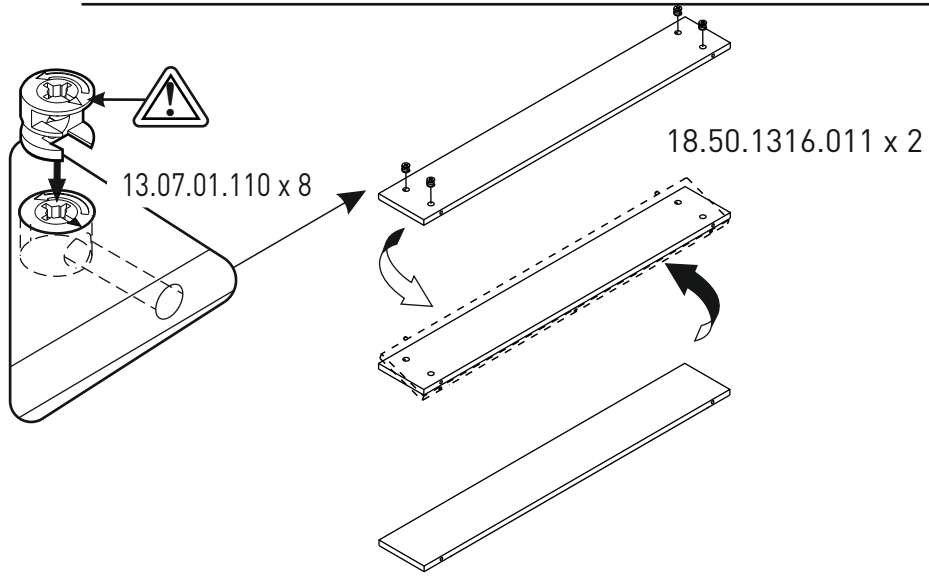
3



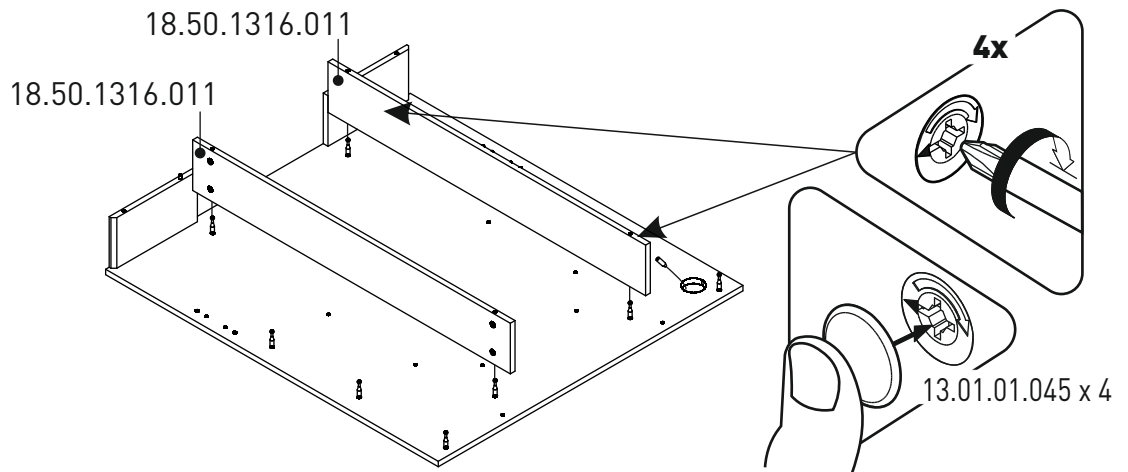
4



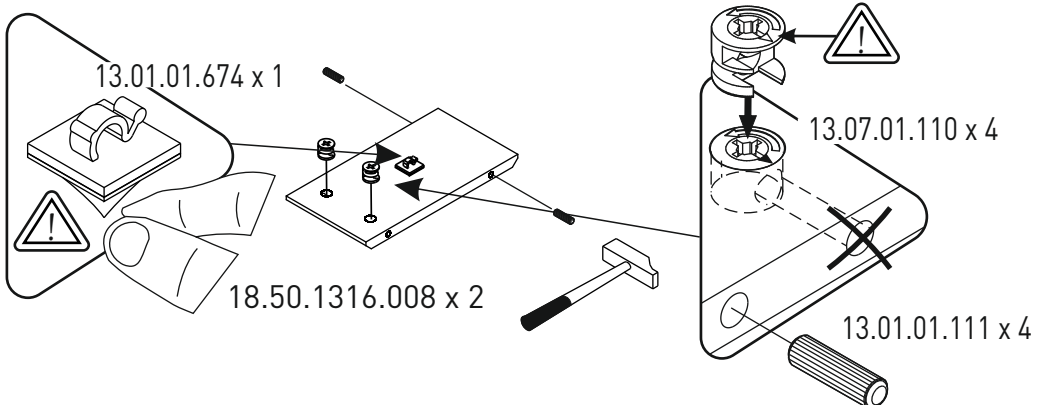
5



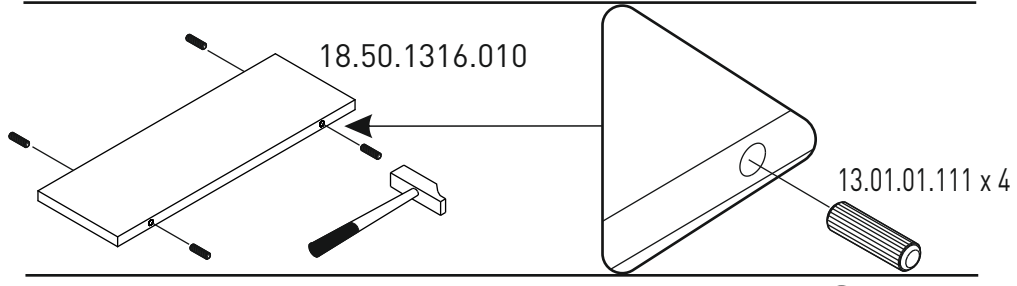
6



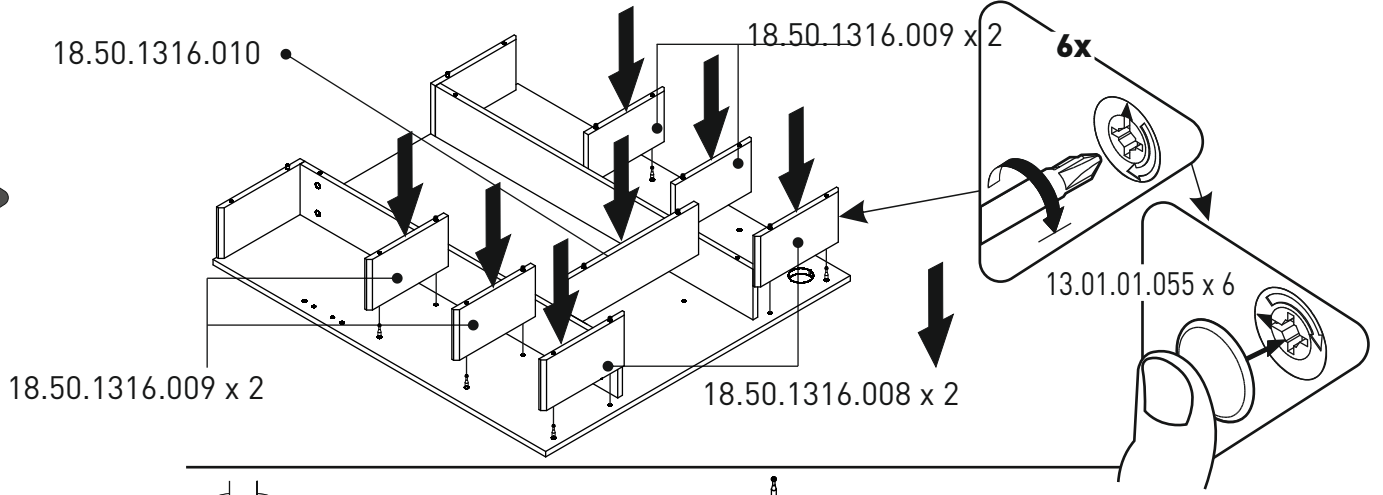
7



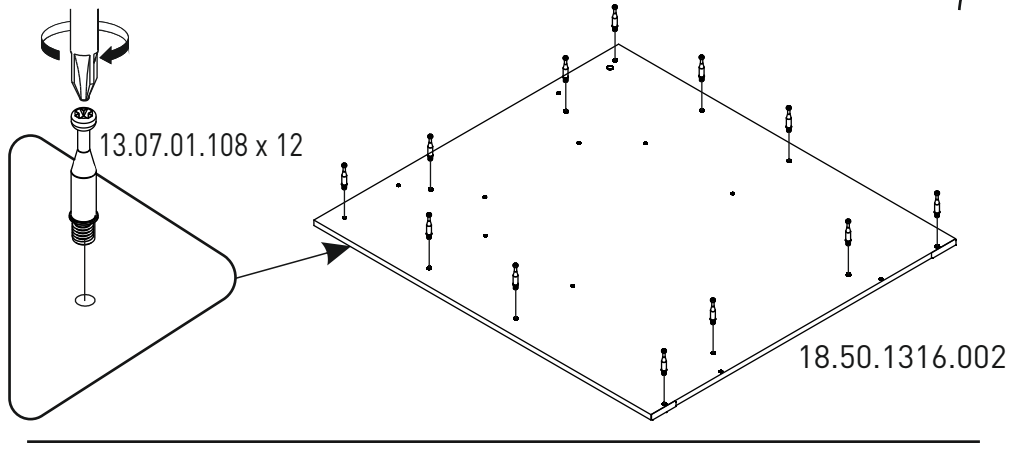
8



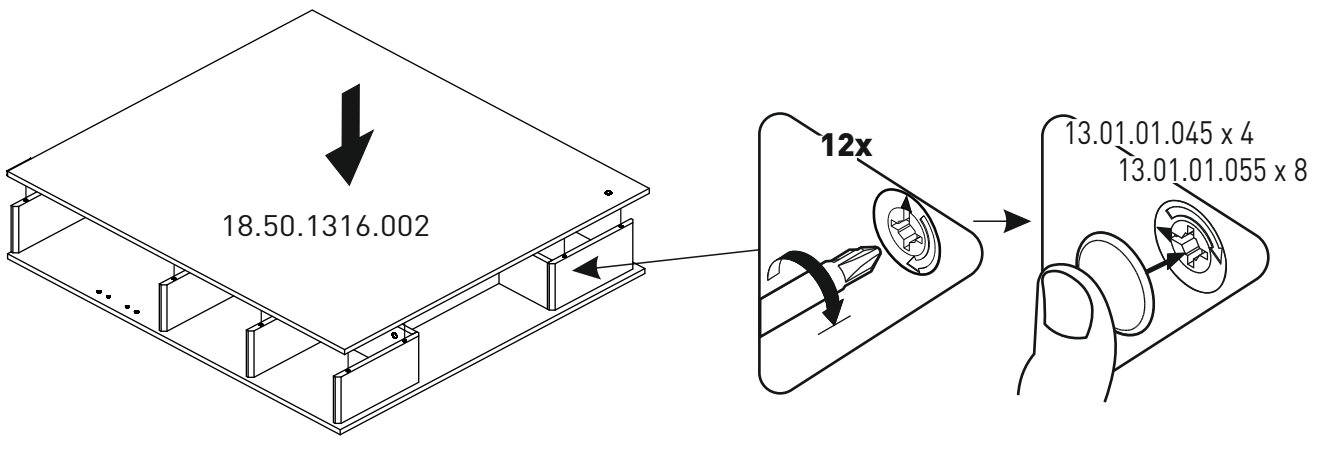
9

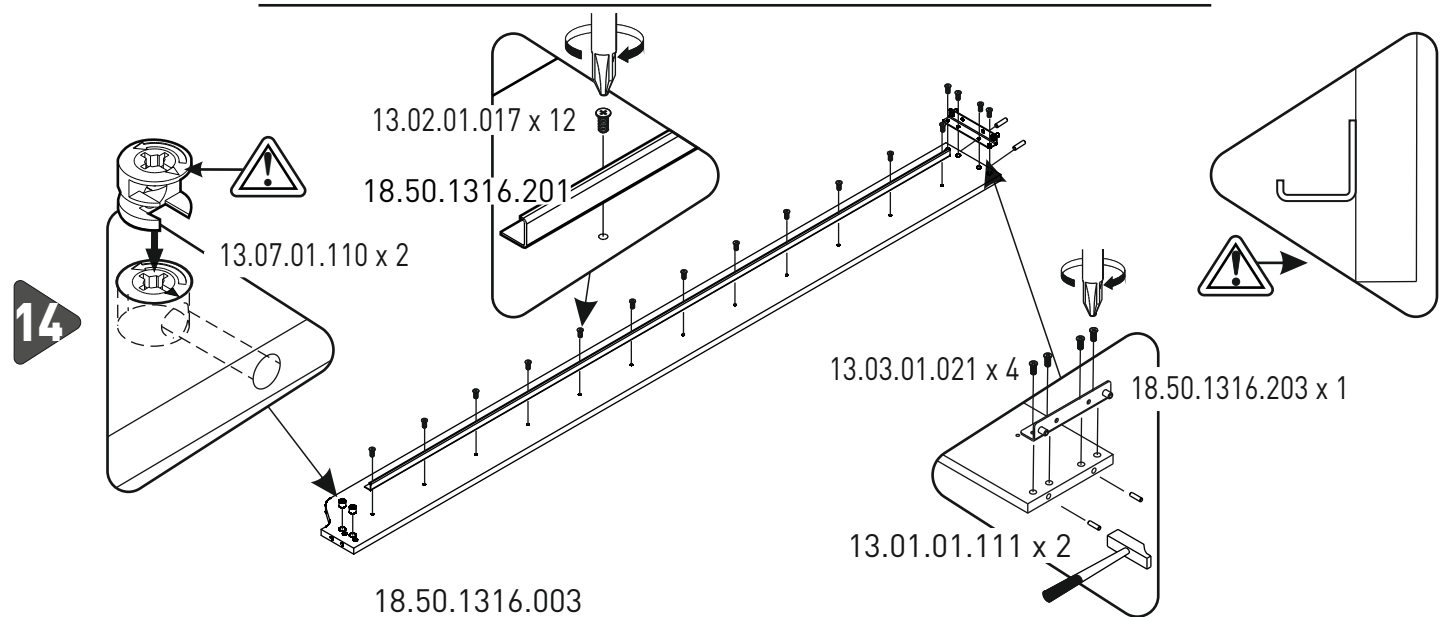
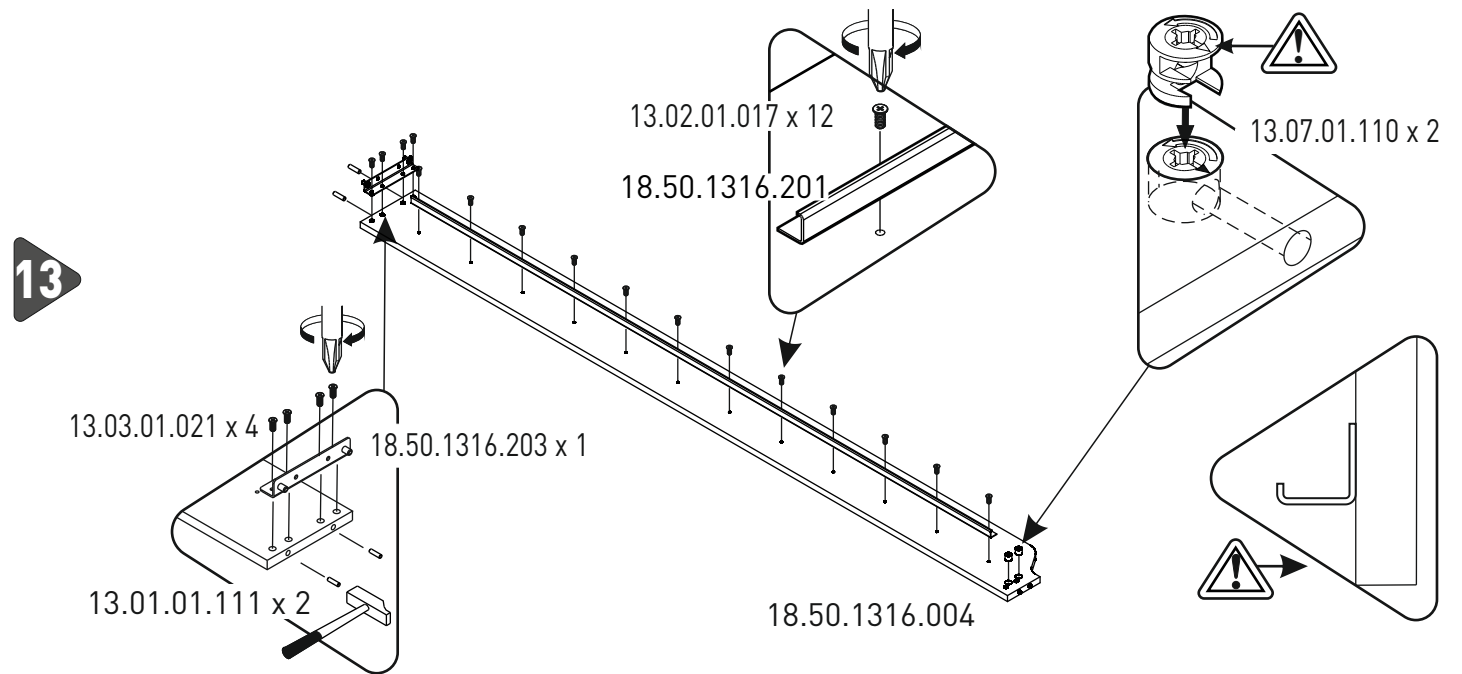
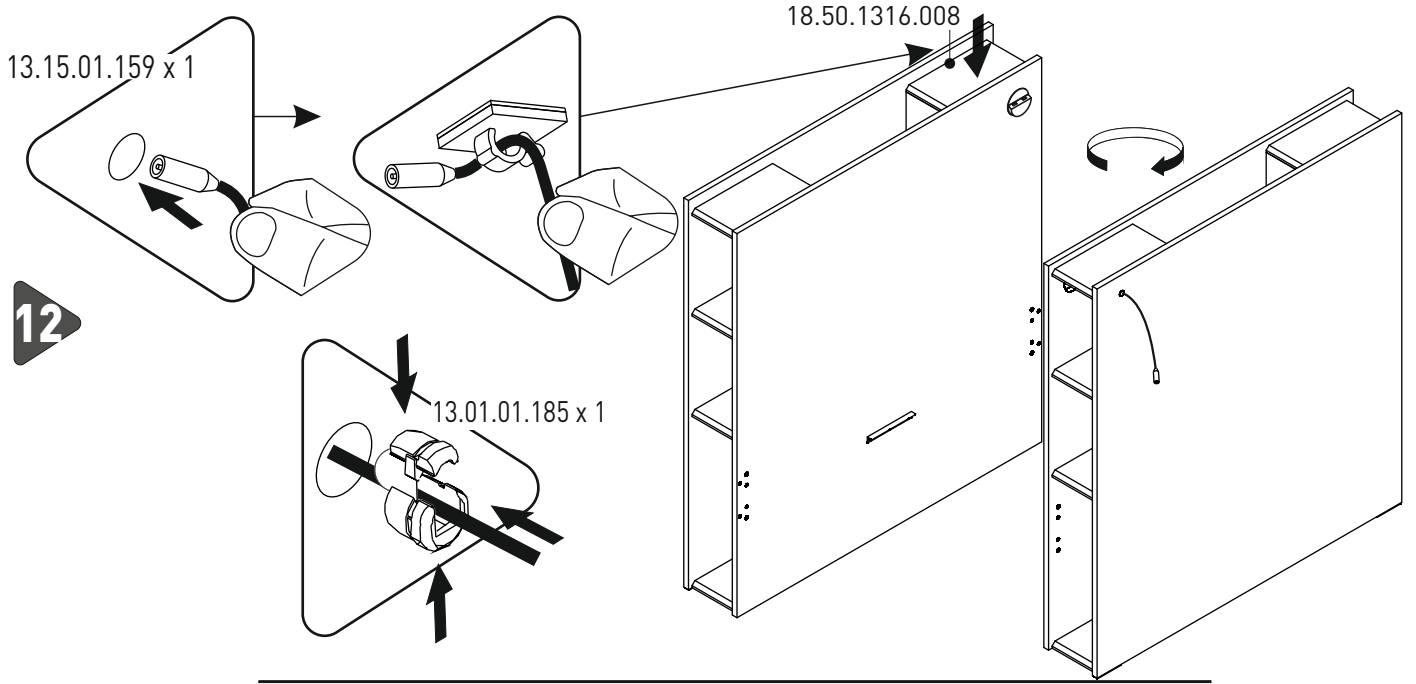


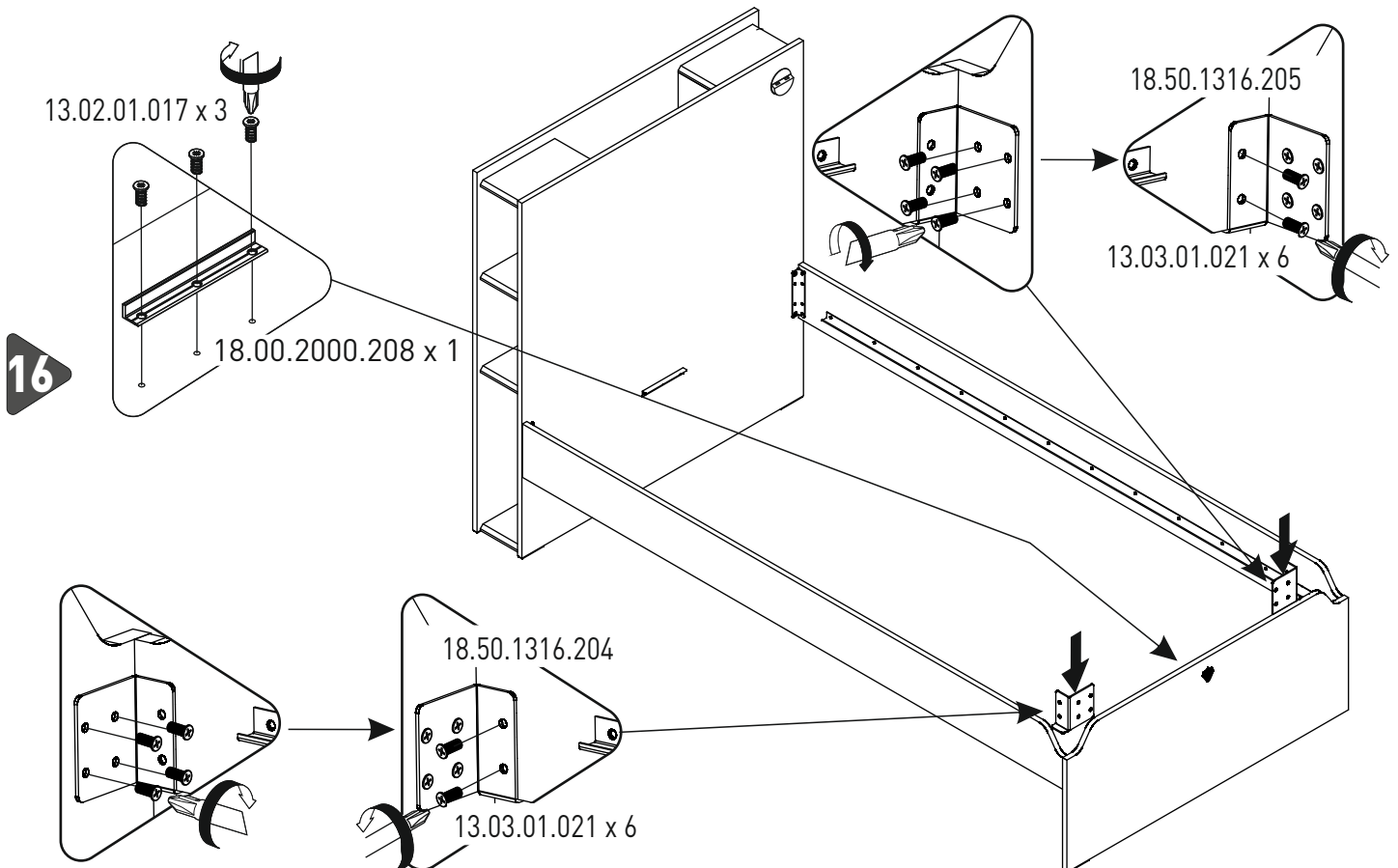
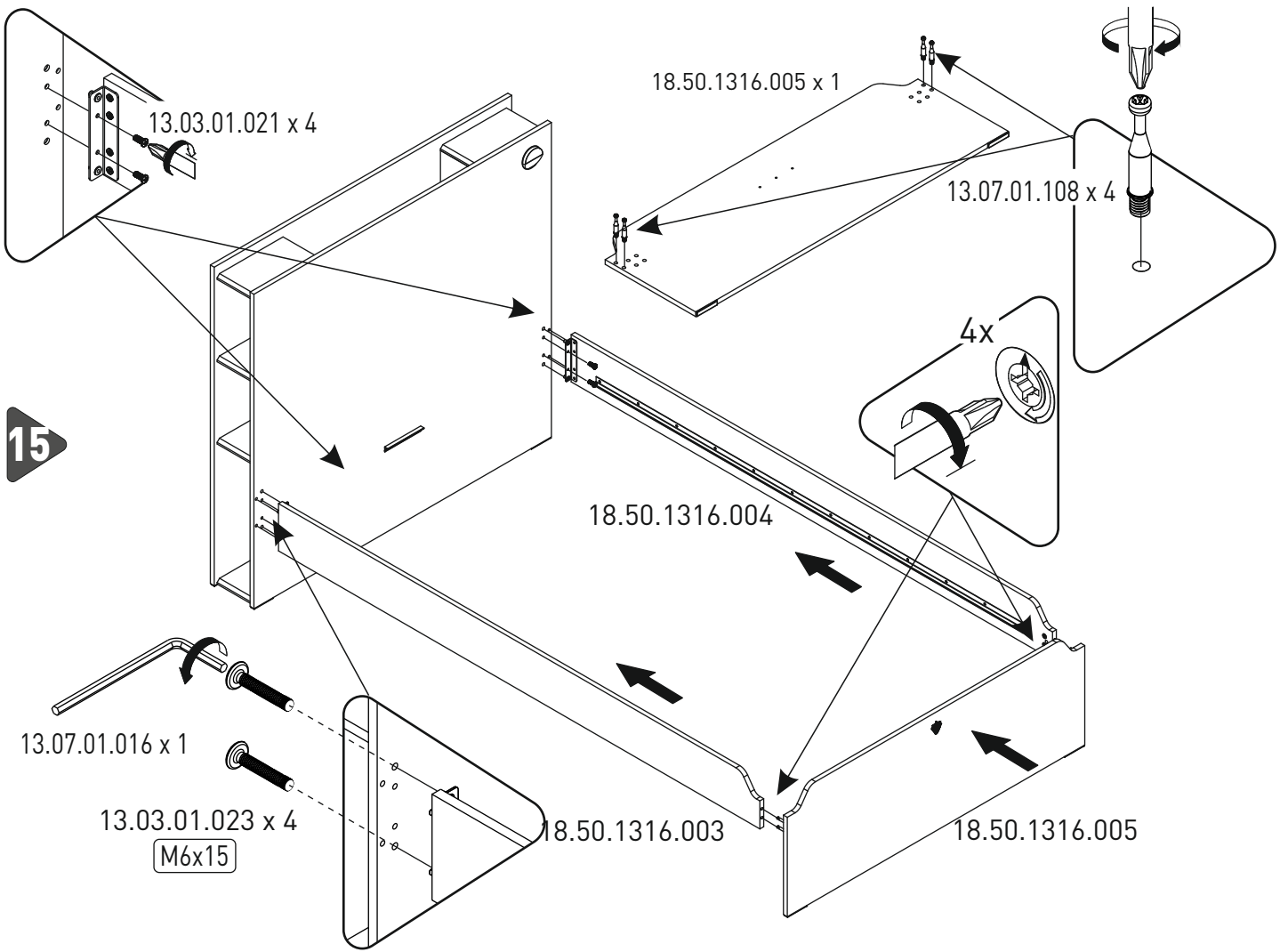
10



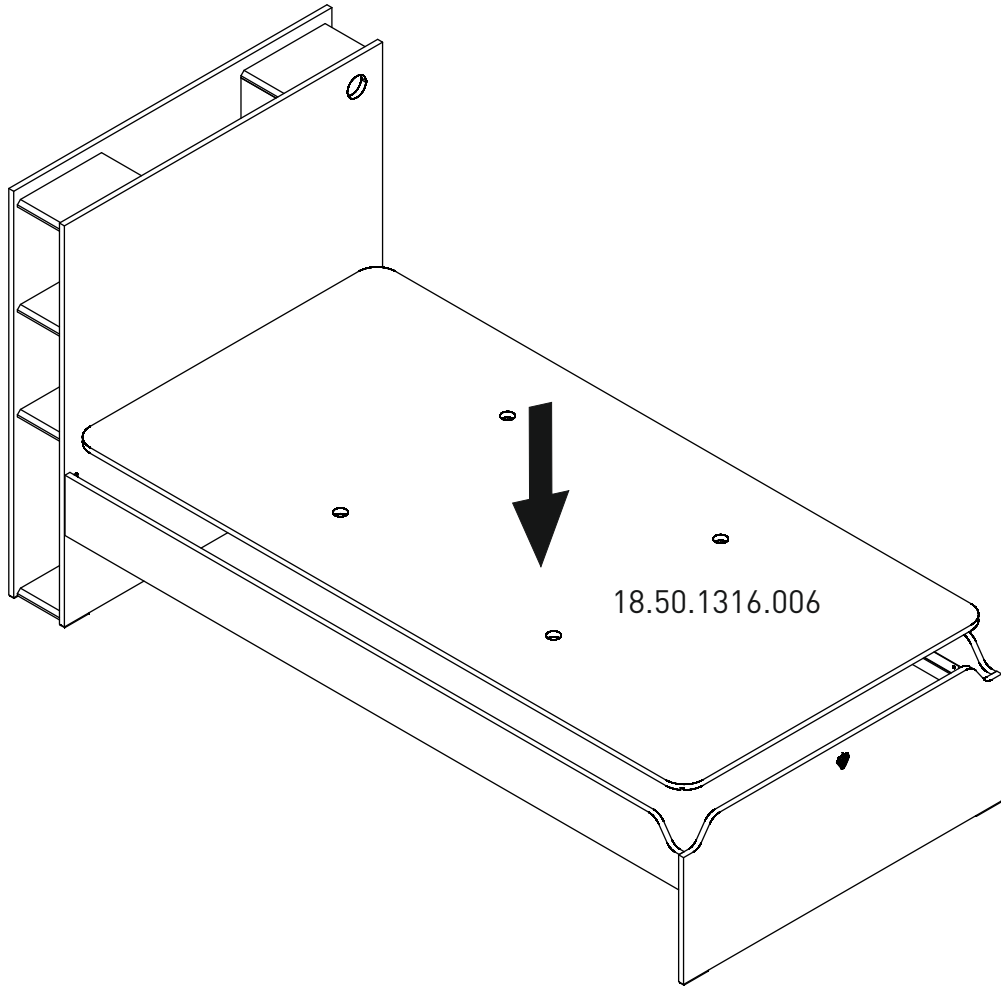
11







17



18

13.15.01.093 x 1

