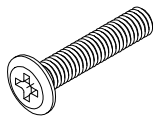
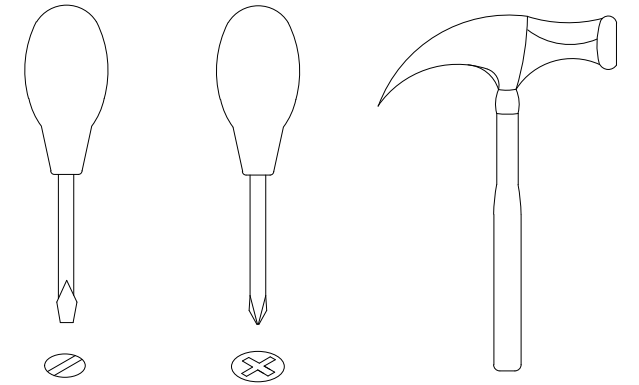
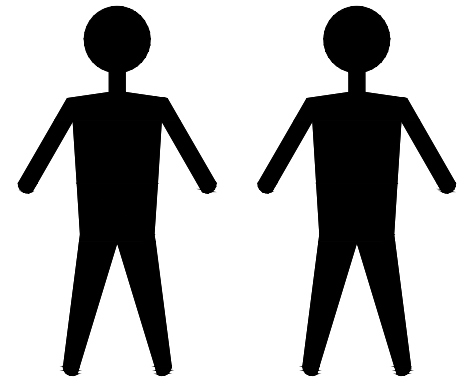
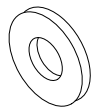


# MDI. CHD. VC. 4



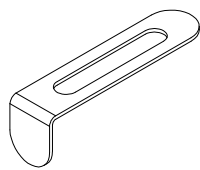
A x9

Spec: M6\*25



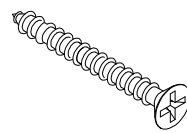
B x9

Spec: M18\*8. 2\*2



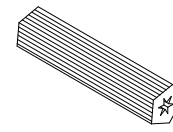
C x2

Spec:



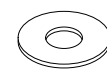
D x4

Spec:  $\phi$ 3.5\*L32



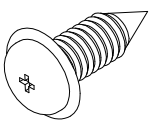
E x4

Spec:



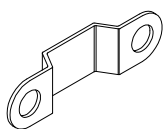
F x6

Spec: 10\*4\*1



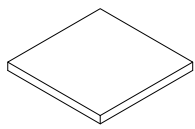
G x2

Spec:  $\phi$ 4\*L16



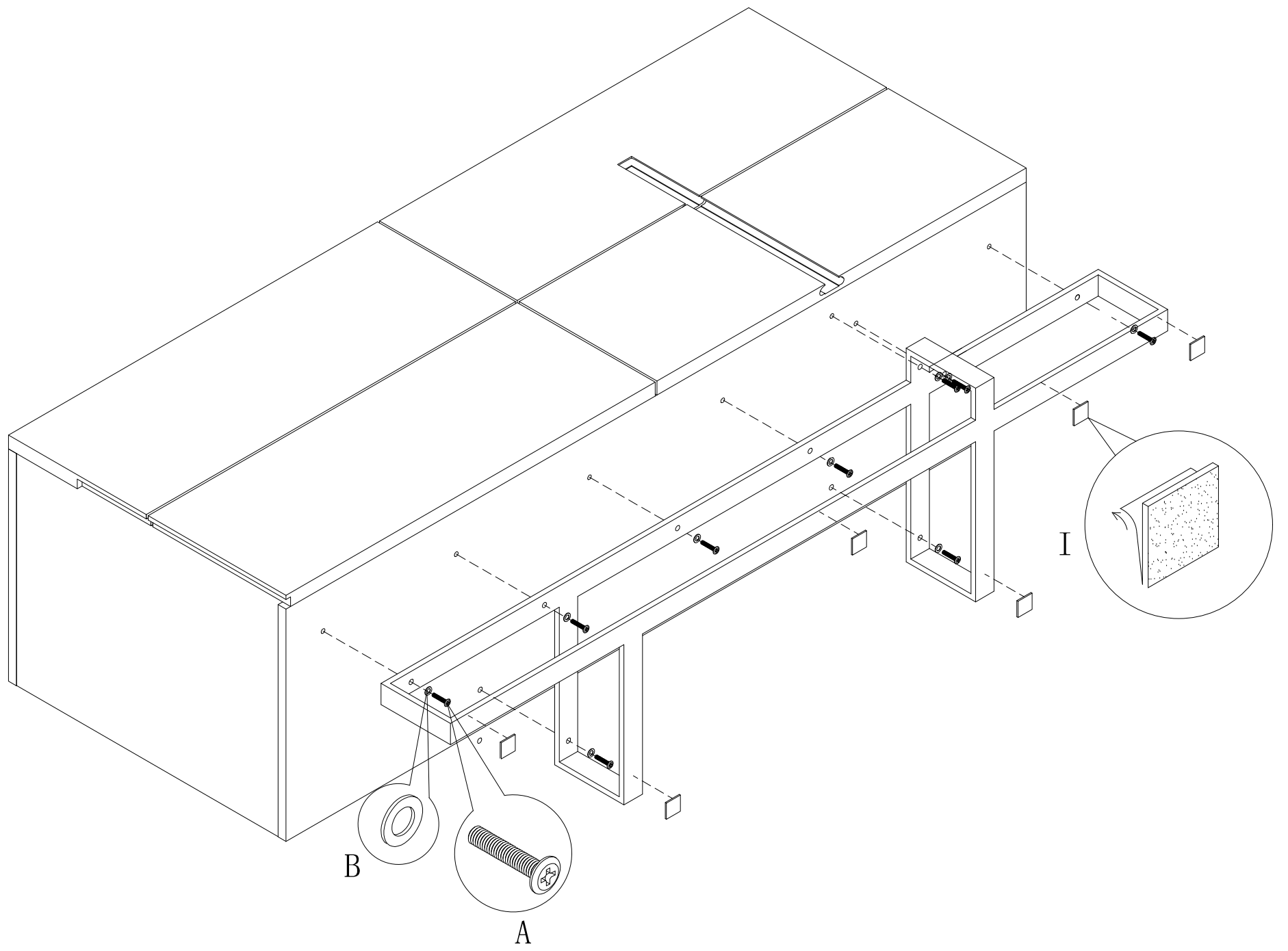
H x2

Spec:



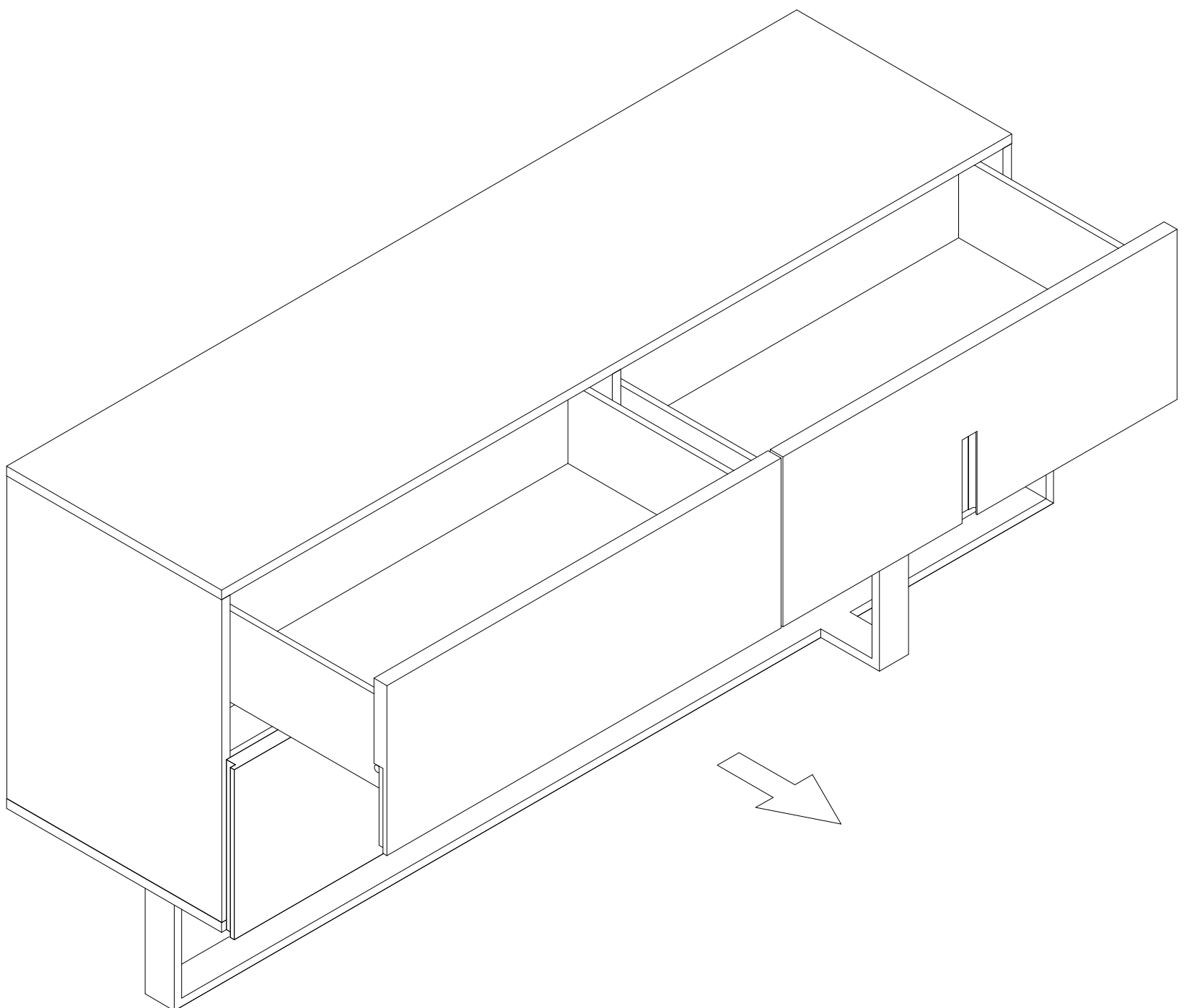
I x6

Spec: 38\*38

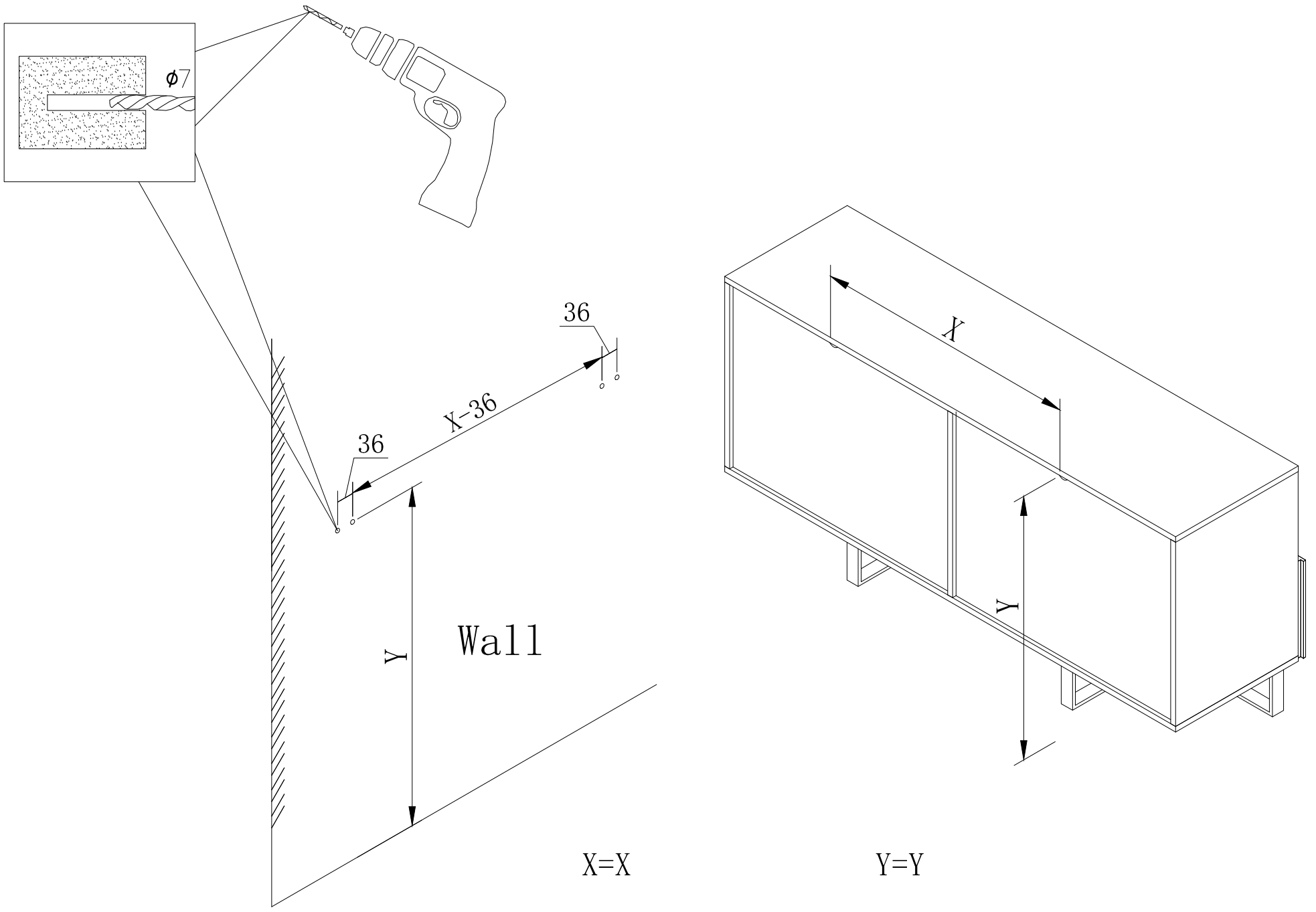


1

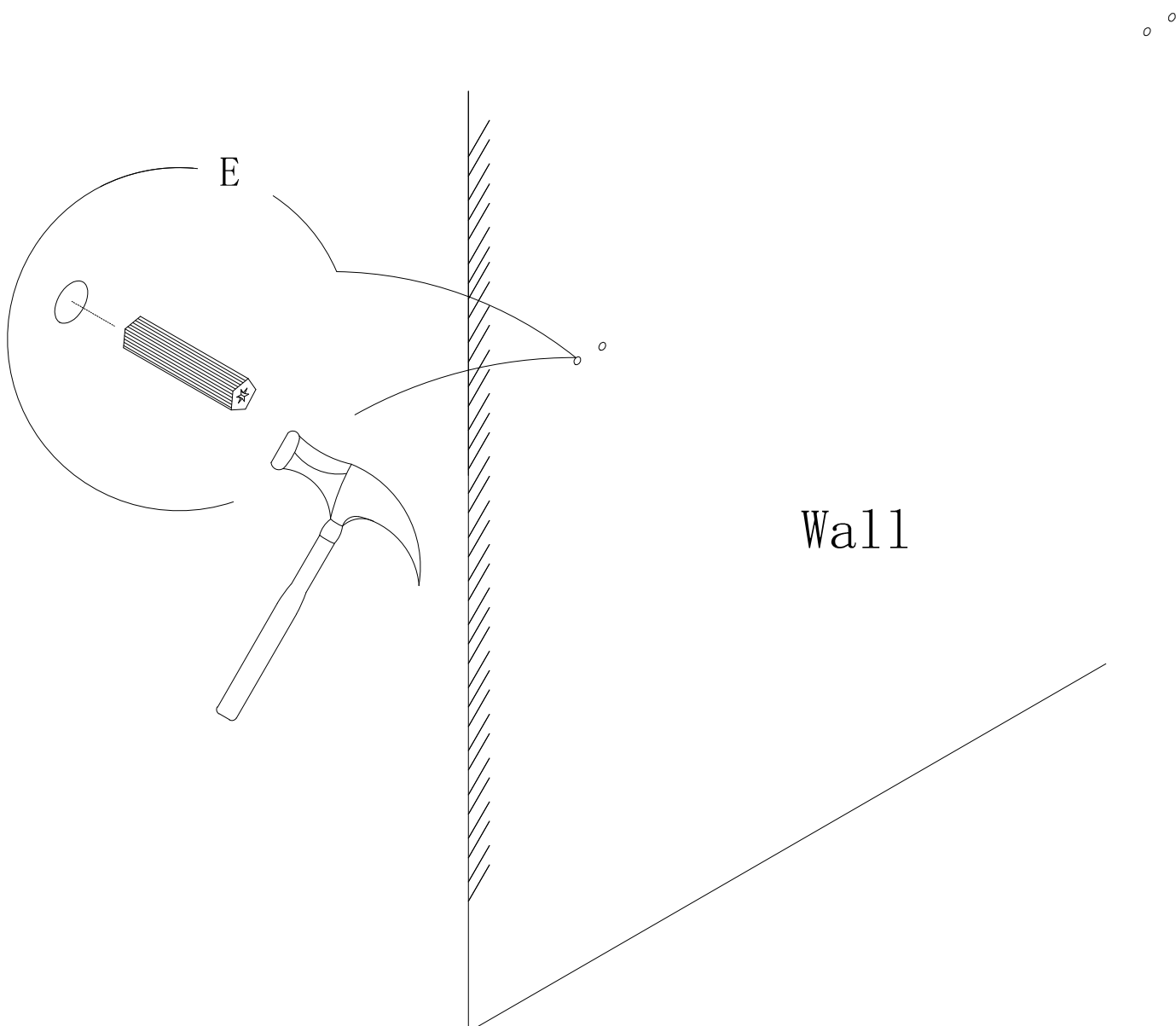
2



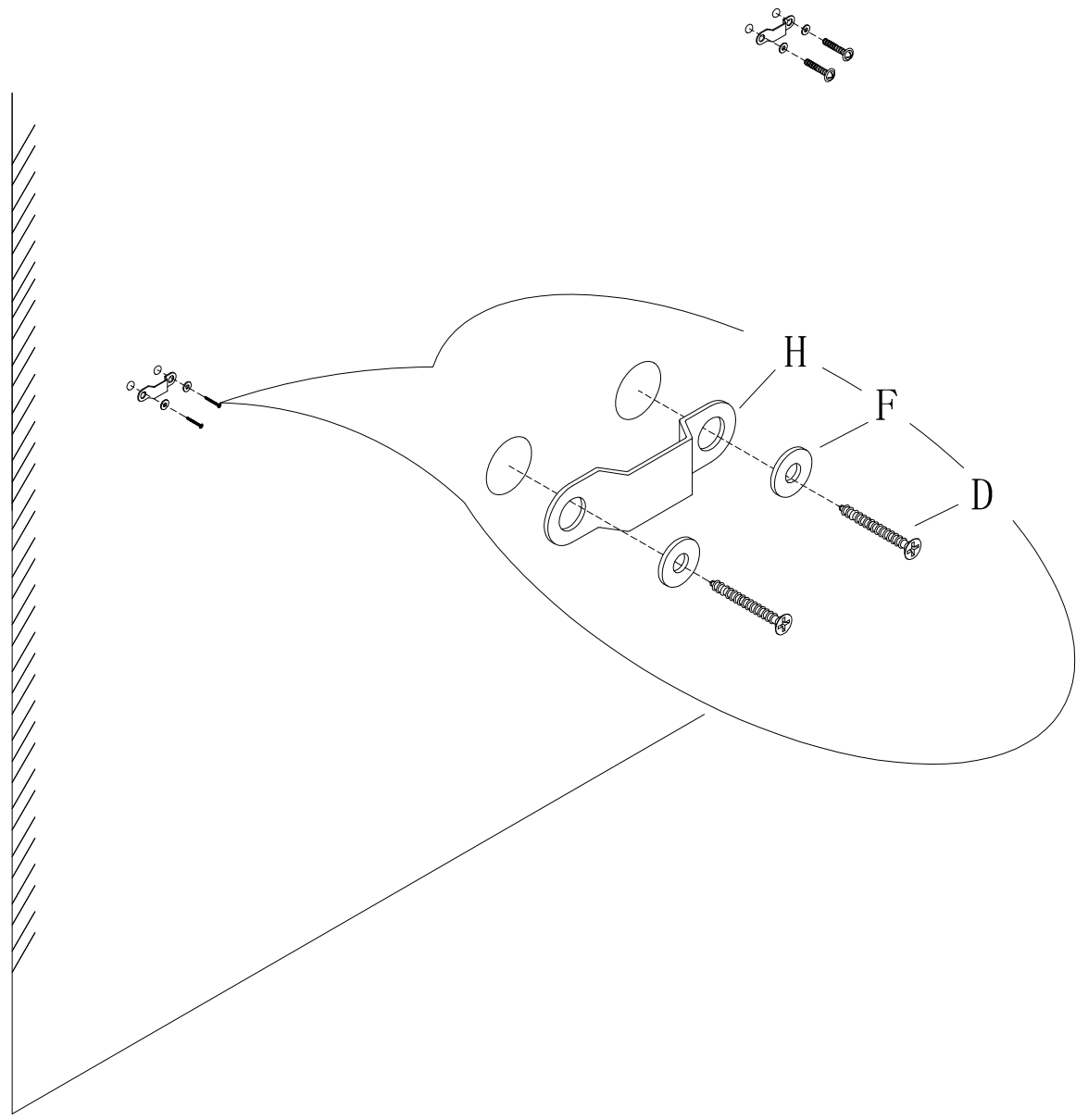
3



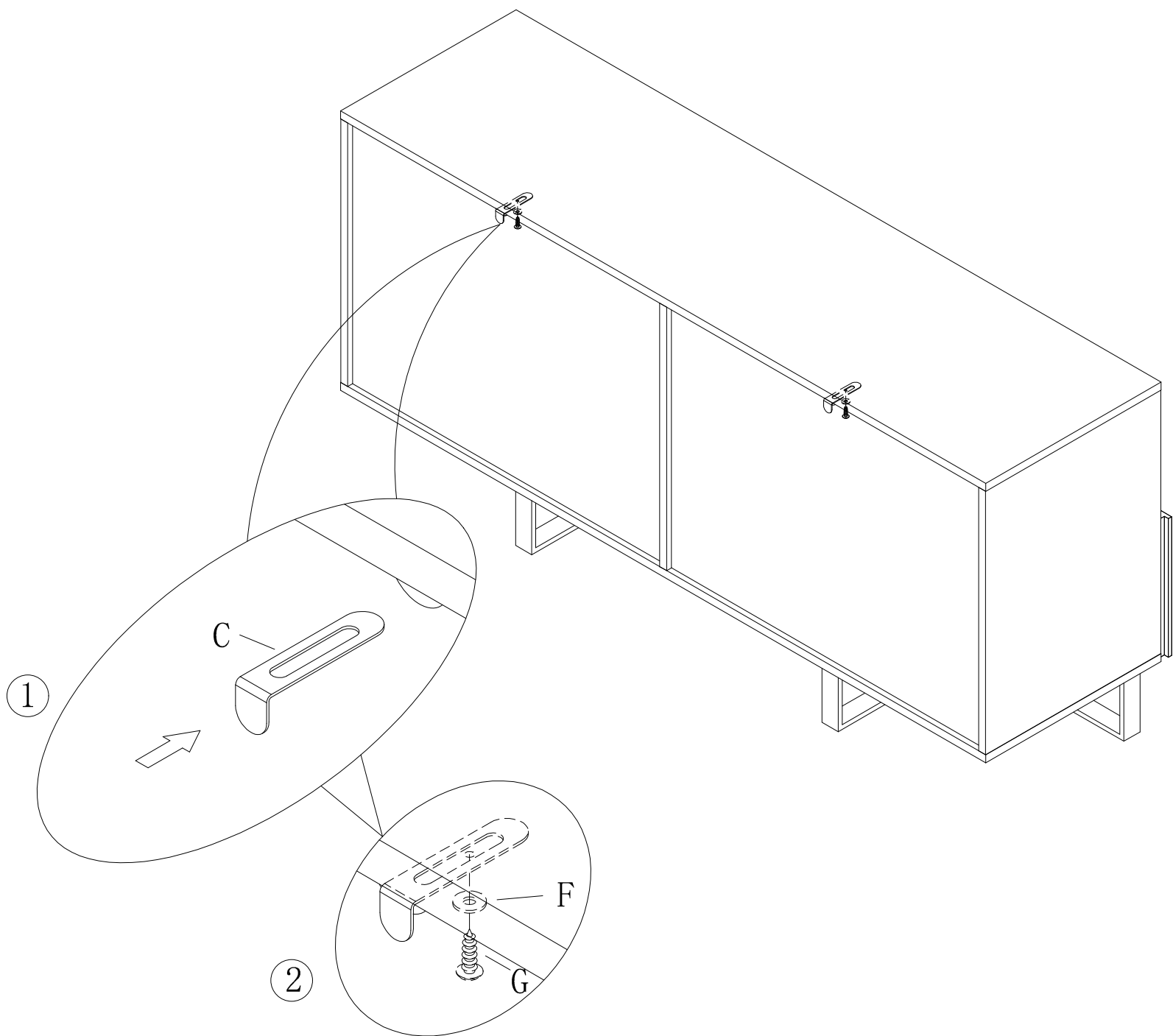
4



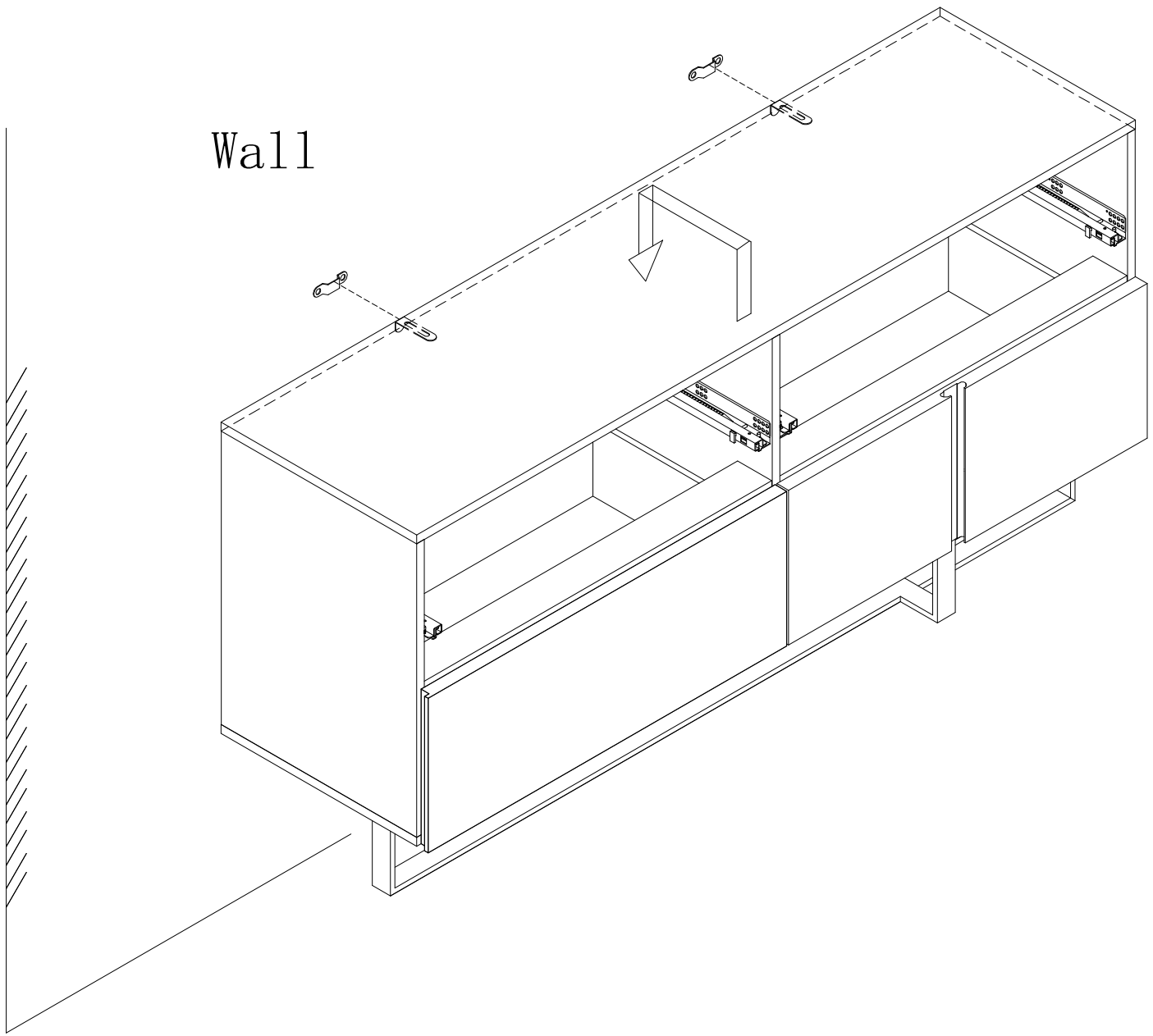
5



6



7



8

