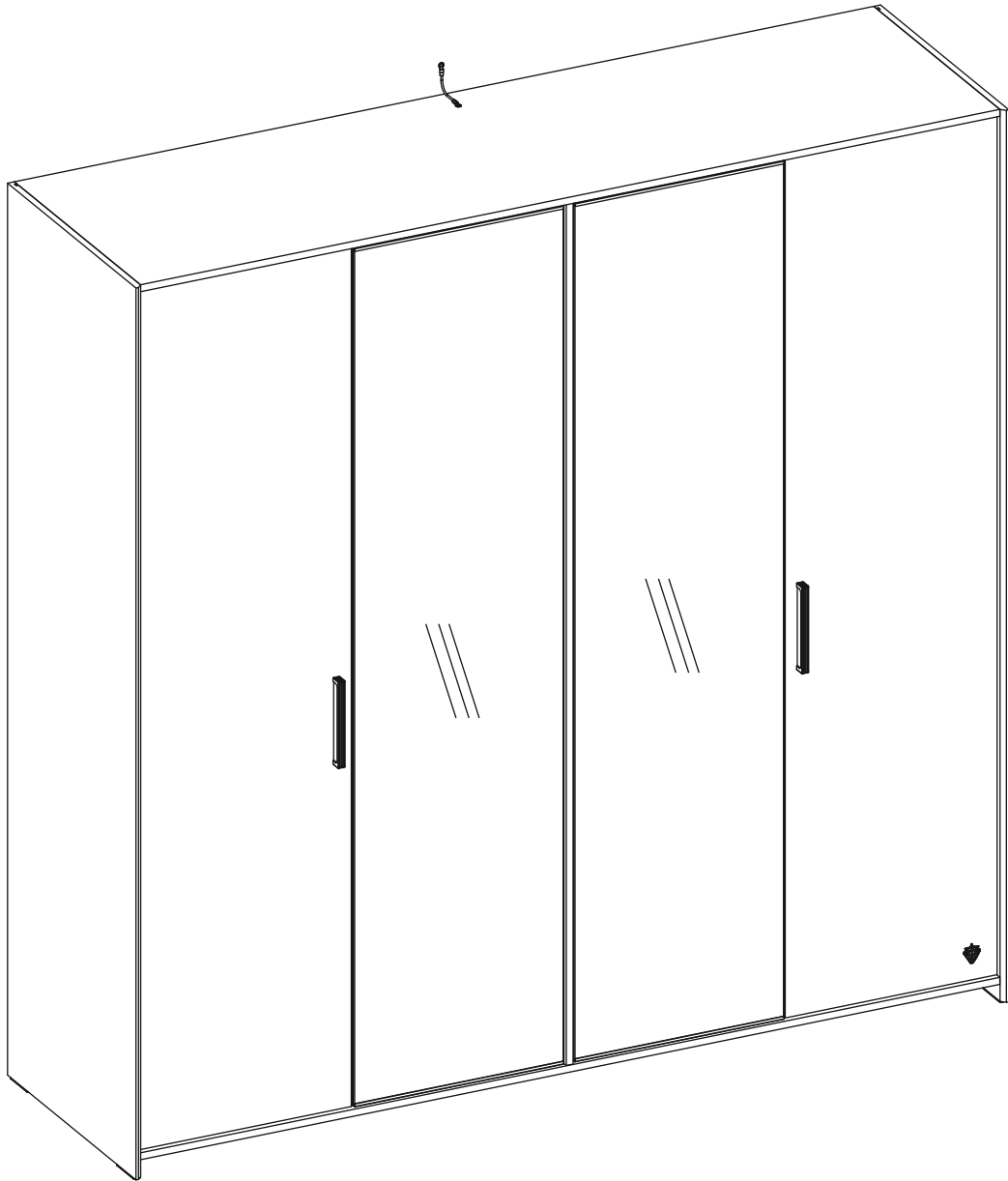
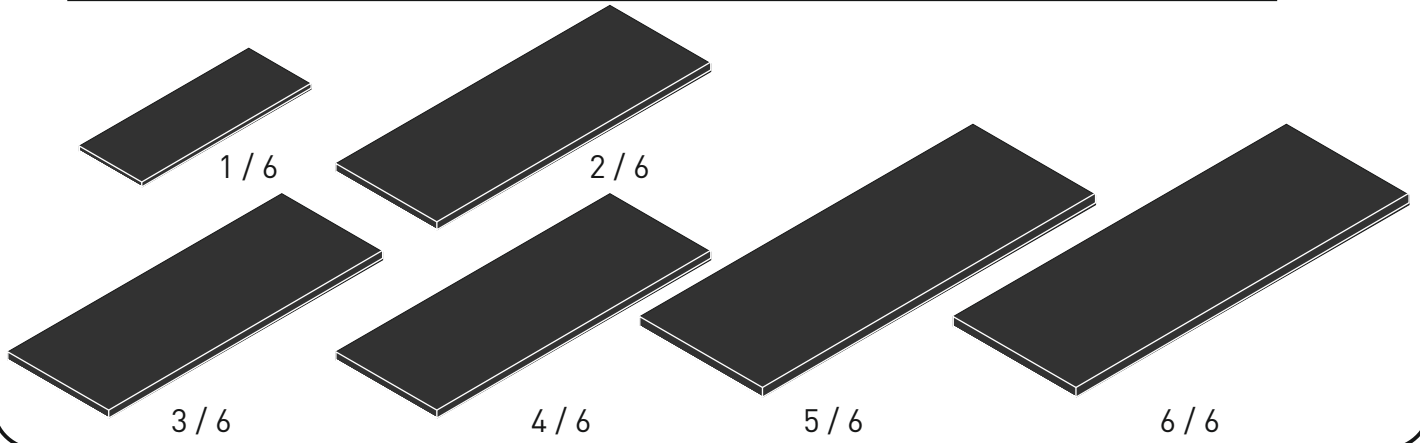
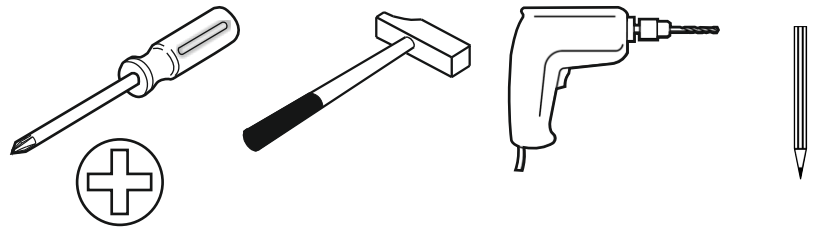
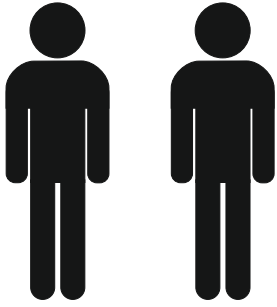
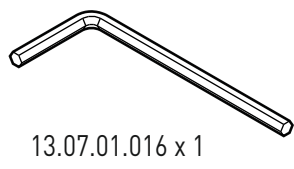
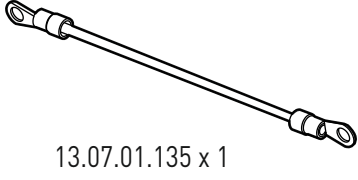
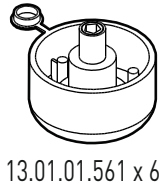
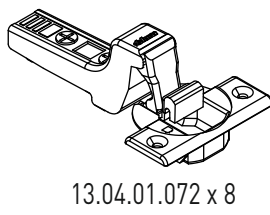
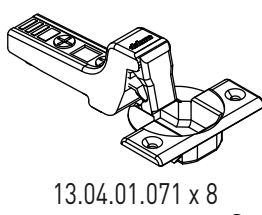
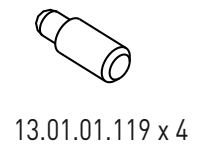
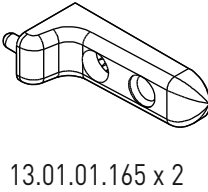
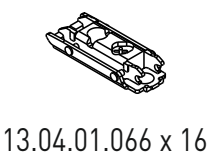
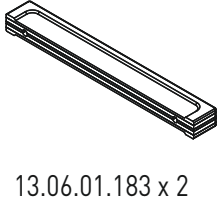
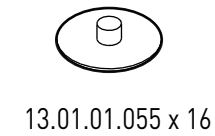
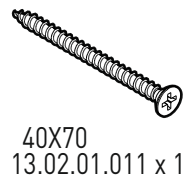
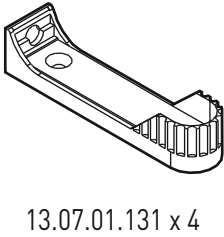
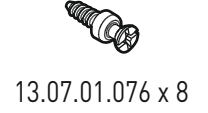
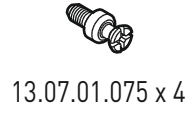
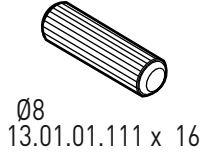
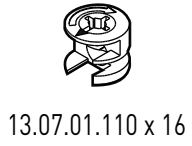
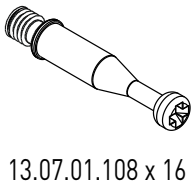


20.50.1008.00

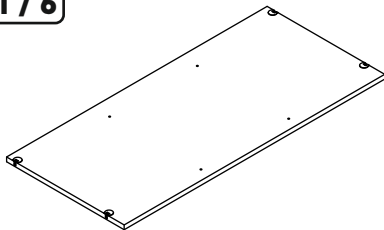




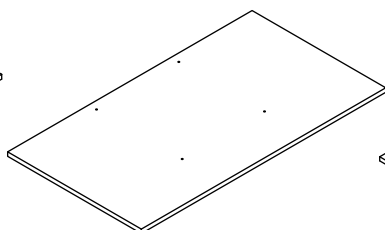
M6



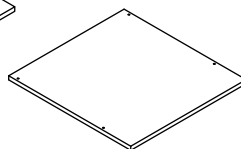
1/6



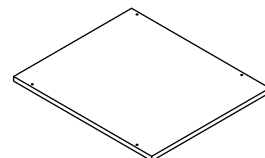
18.50.1008.011 x 1



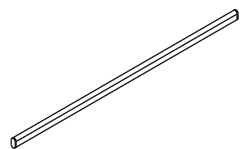
18.50.1008.012 x 1



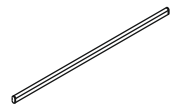
18.50.1008.024 x 1



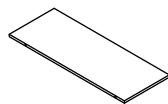
18.50.1008.010 x 1



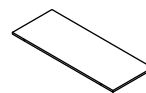
18.50.1008.201 x 1



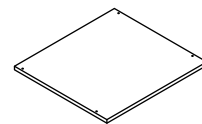
18.50.1008.202 x 1



18.50.1008.013 x 2

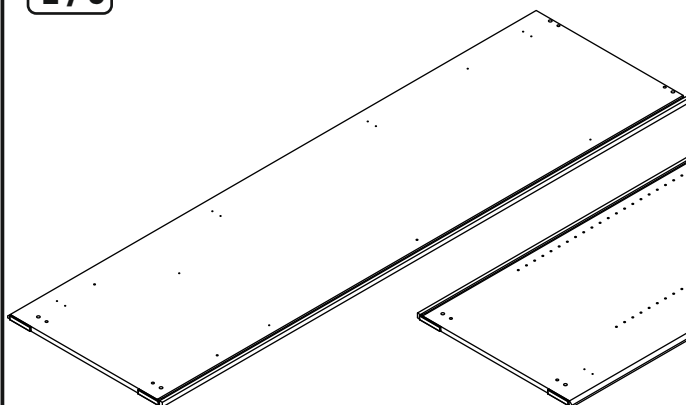


18.50.1008.014 x 2

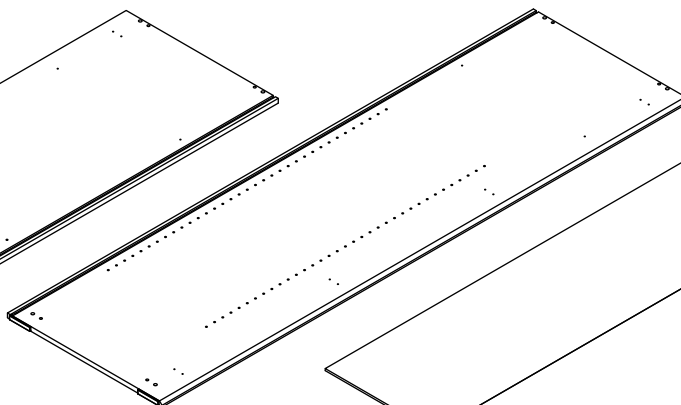


18.50.1008.009 x 3

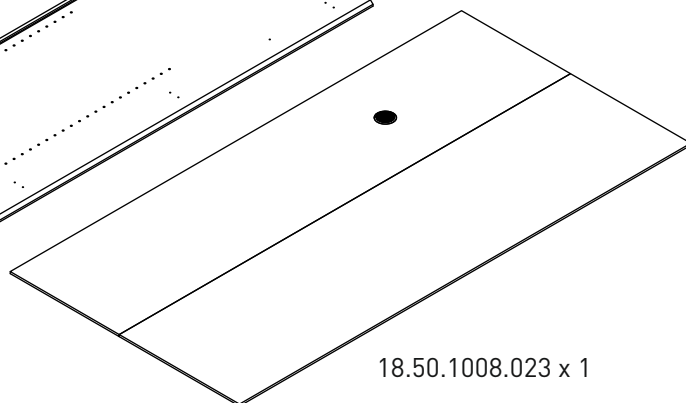
2/6



18.50.1008.001 x 1

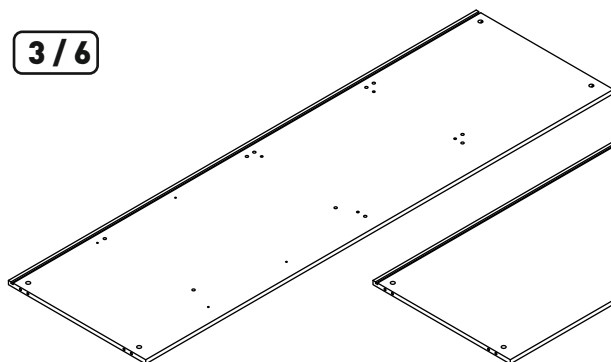


18.50.1008.002 x 1

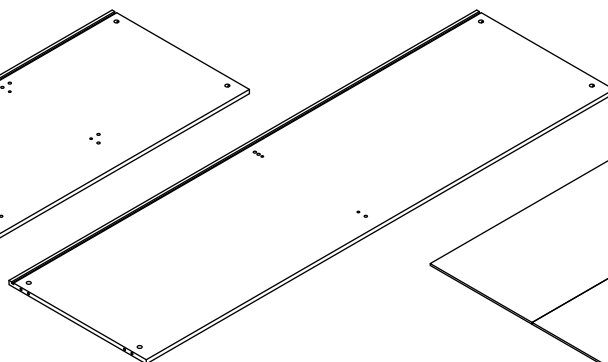


18.50.1008.023 x 1

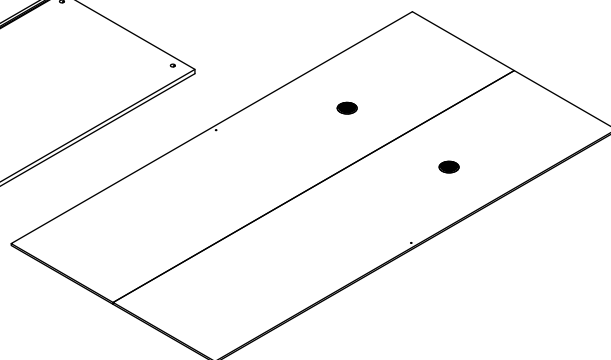
3/6



18.50.1008.004 x 1

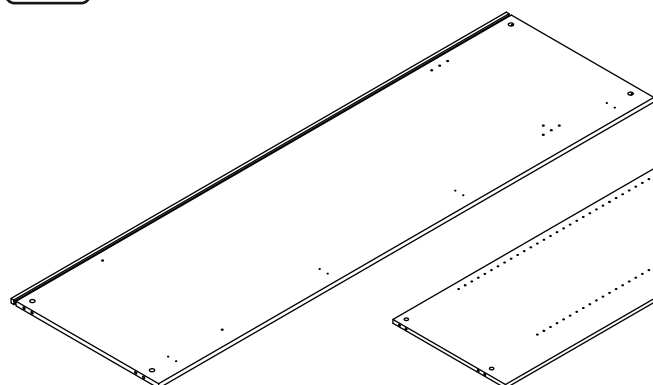


18.50.1008.003 x 1

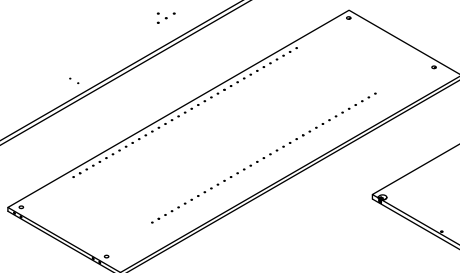


18.50.1008.022 x 1

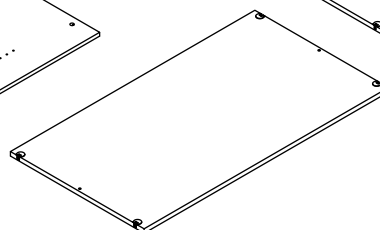
4/6



18.50.1008.005 x 1

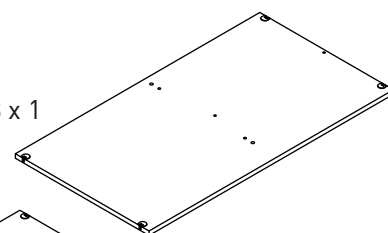


18.50.1008.006 x 1

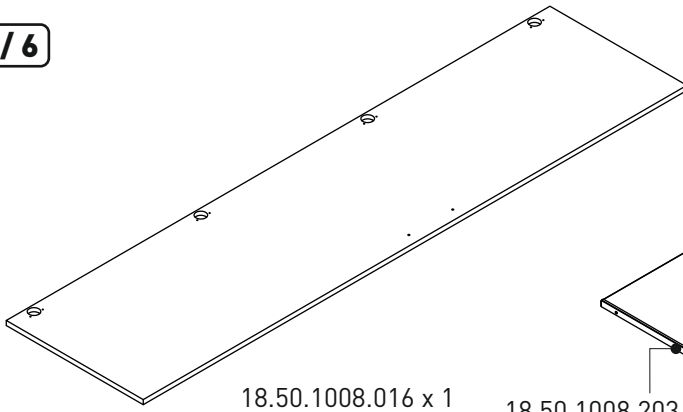


18.50.1008.007 x 1

18.50.1008.008 x 1

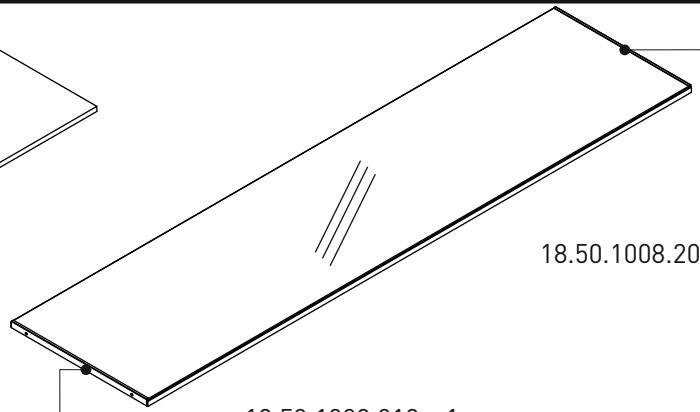


5/6



18.50.1008.016 x 1

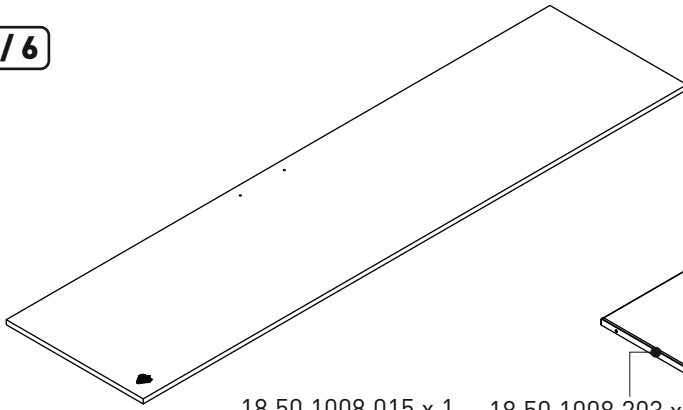
18.50.1008.203 x 1



18.50.1008.018 x 1

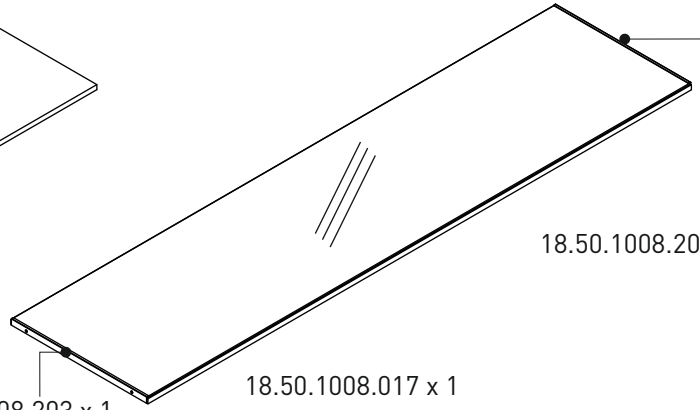
18.50.1008.203 x 1

6/6



18.50.1008.015 x 1

18.50.1008.203 x 1

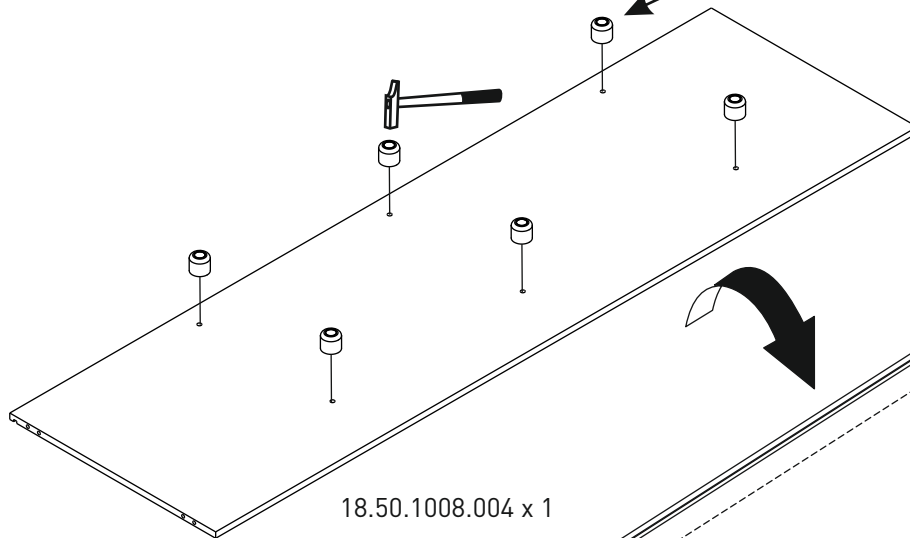
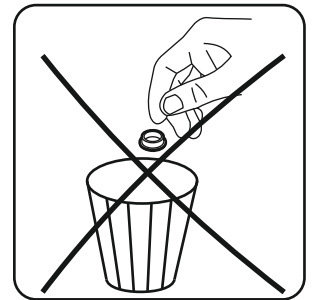
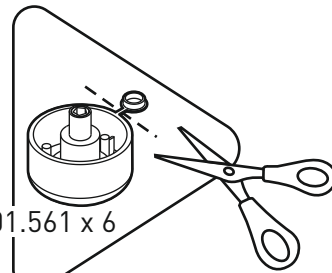


18.50.1008.017 x 1

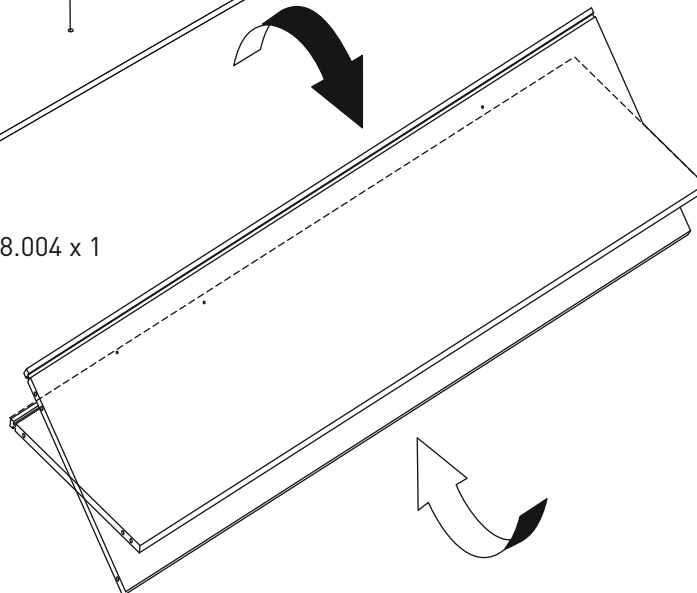
18.50.1008.203 x 1

1

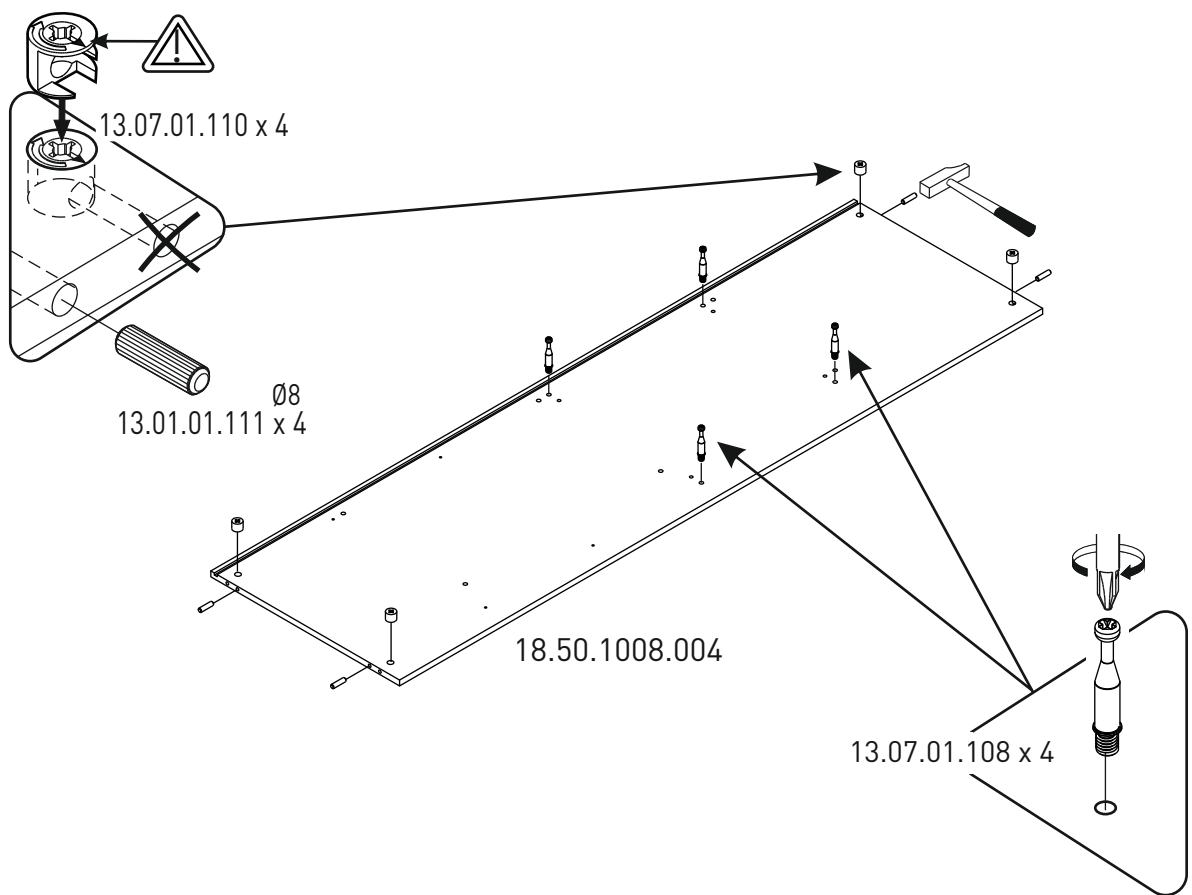
13.01.01.561 x 6



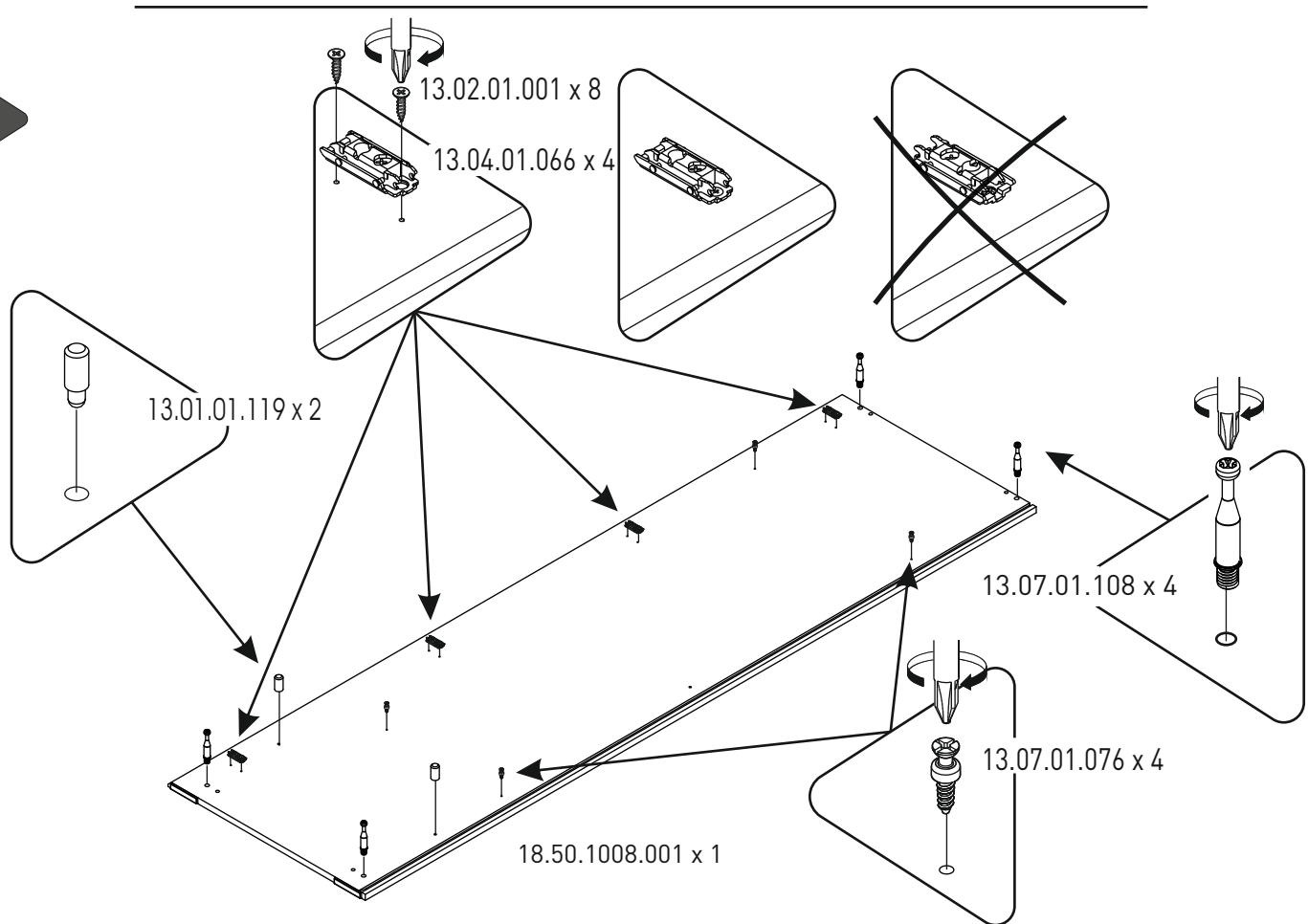
18.50.1008.004 x 1



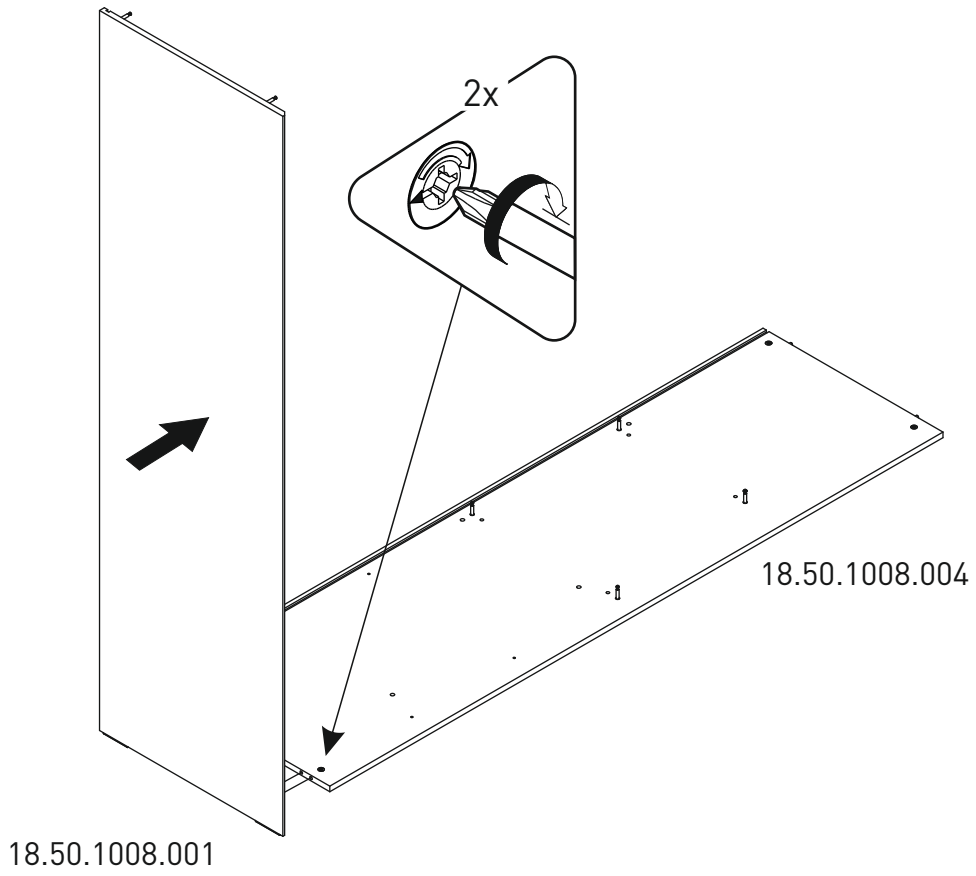
2



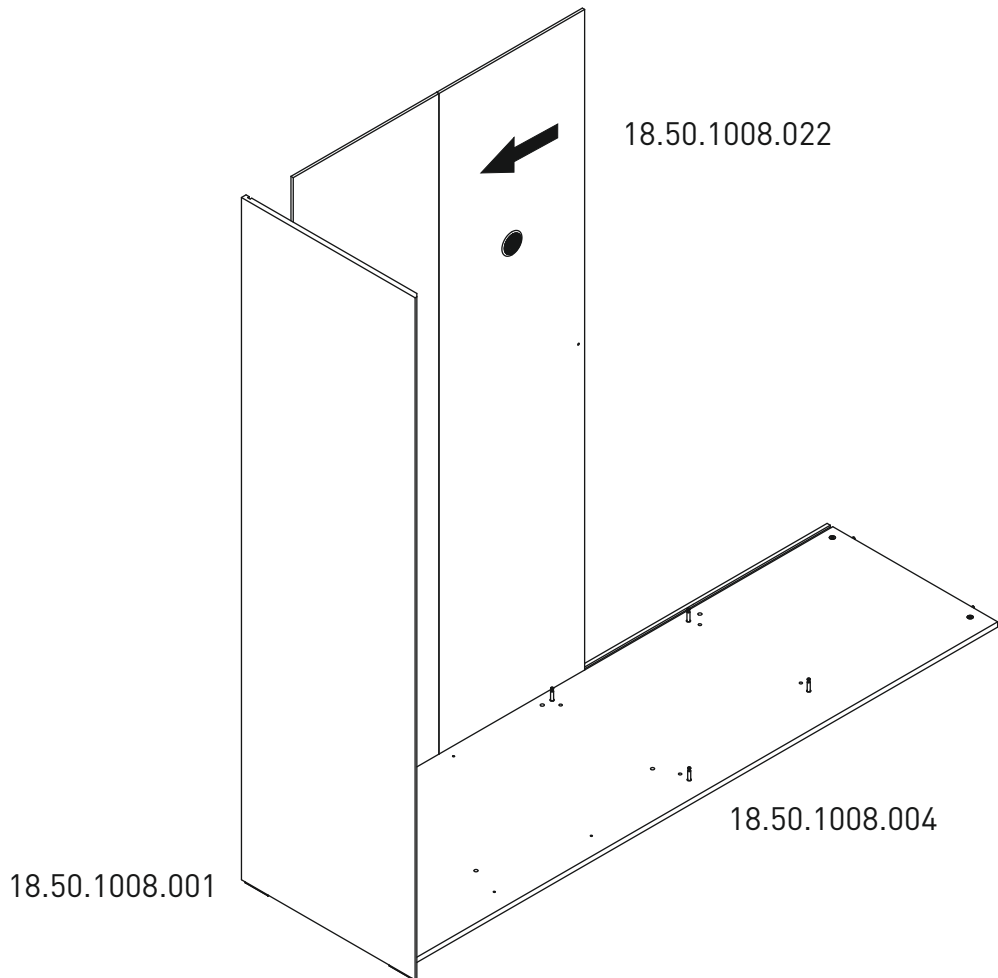
3

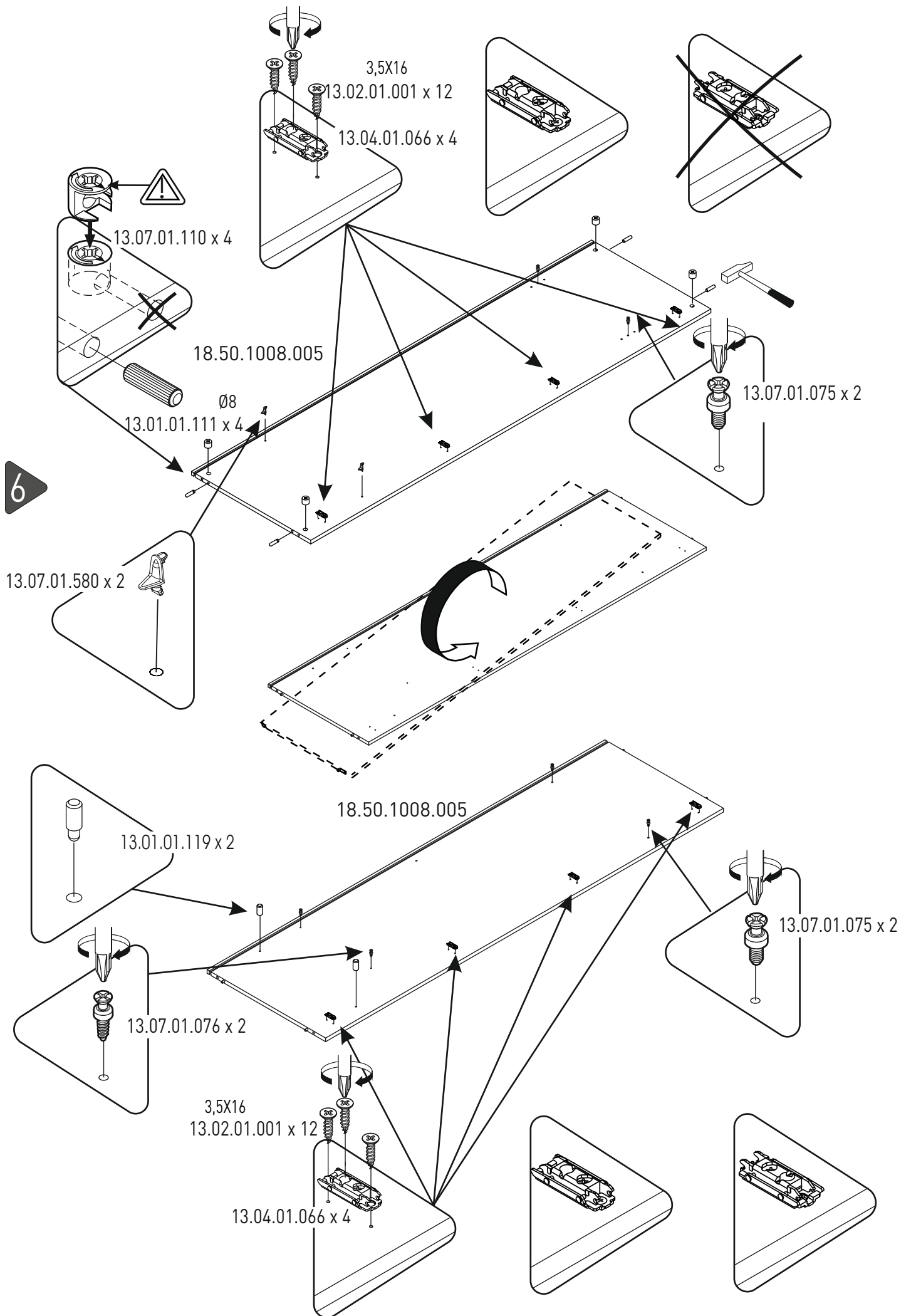


4

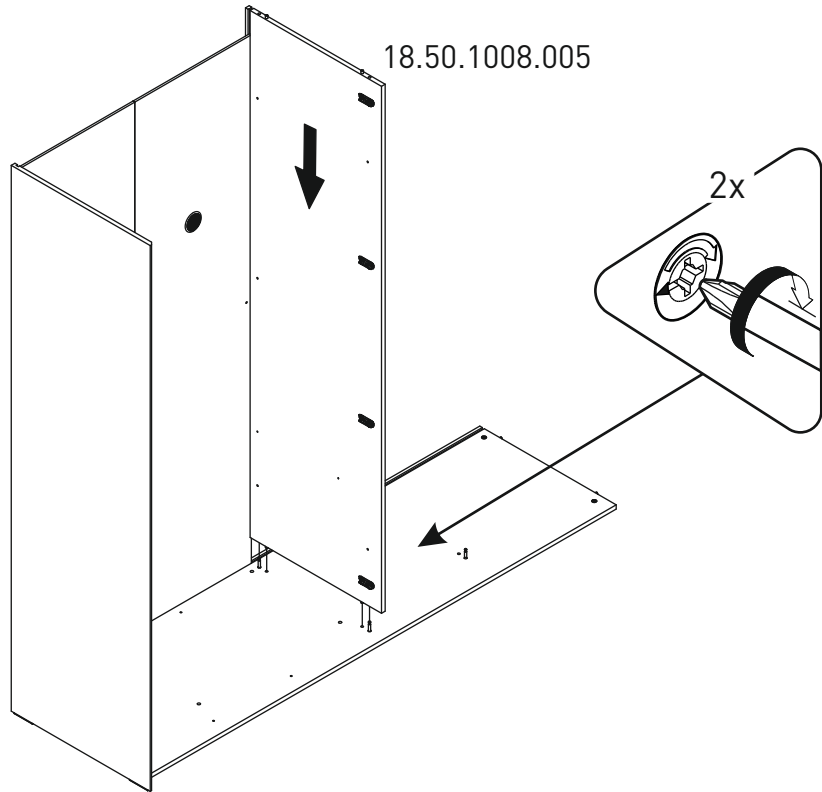


5

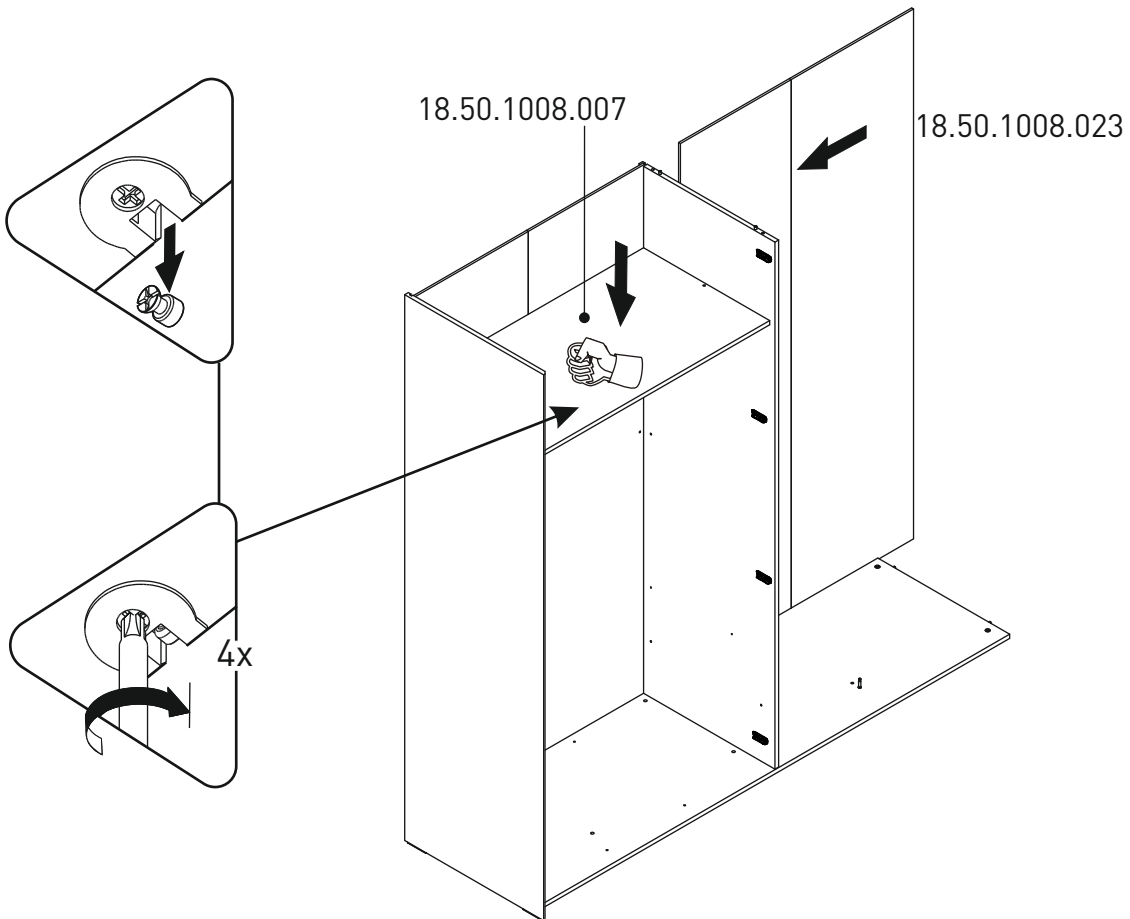




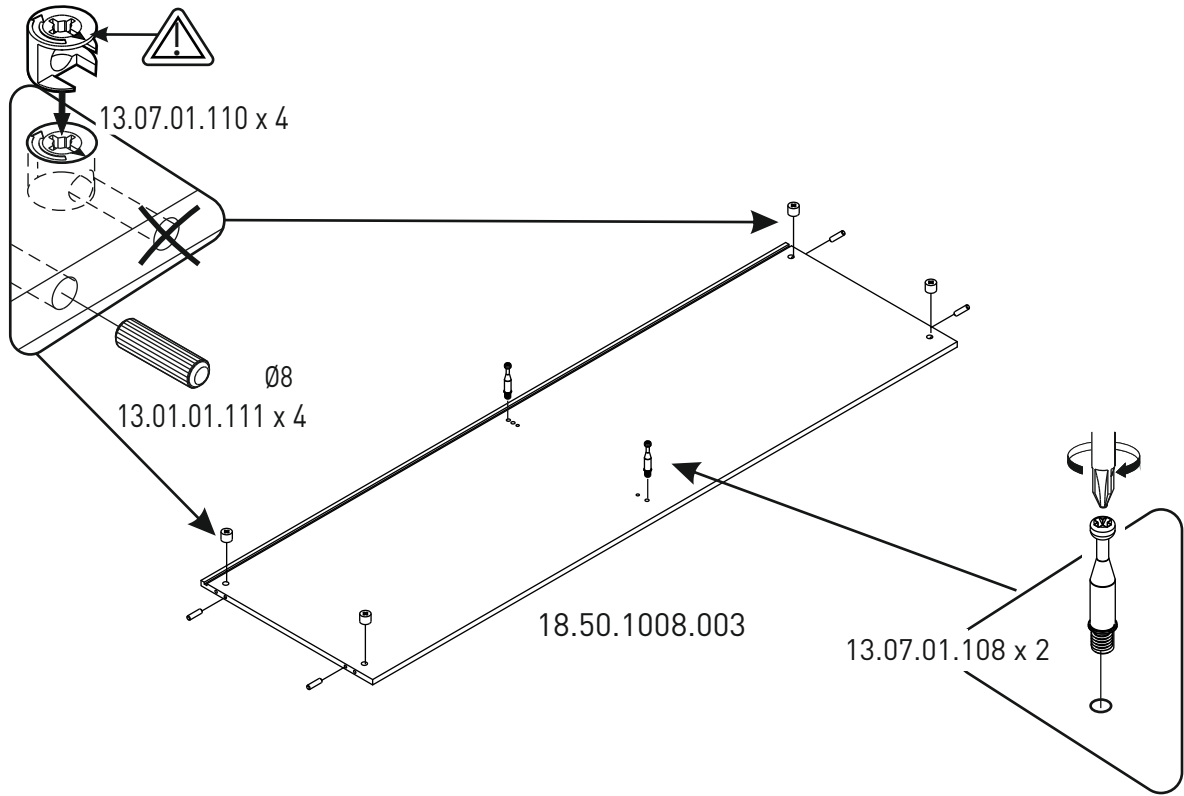
7



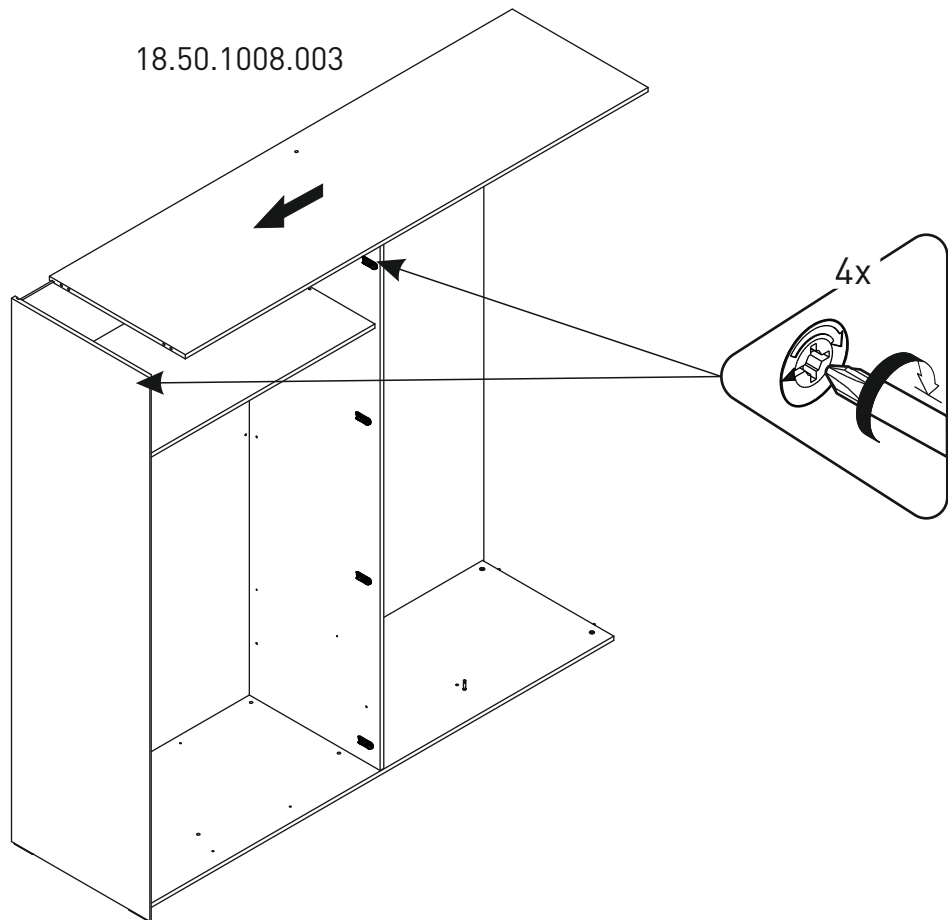
8

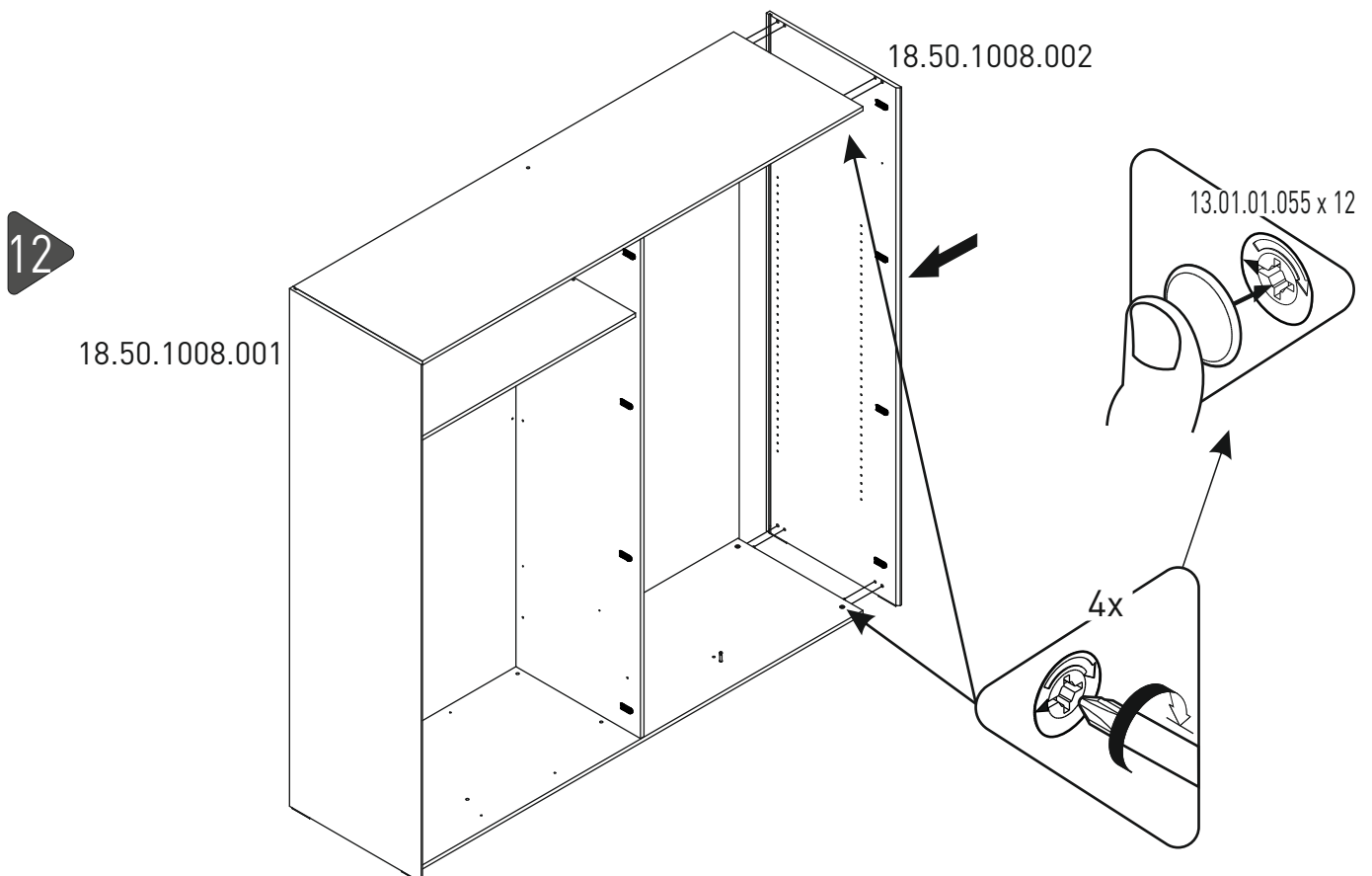
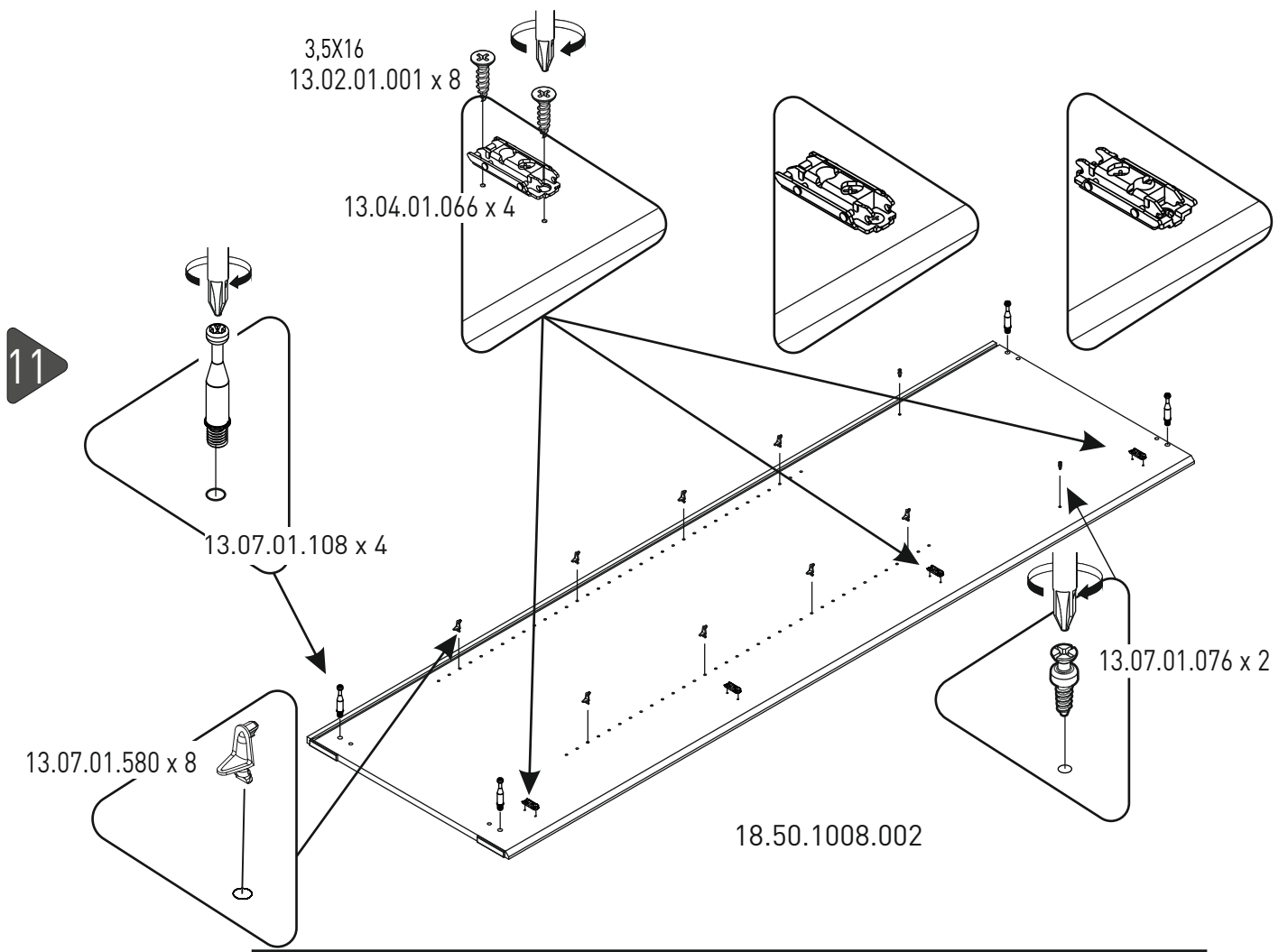


9

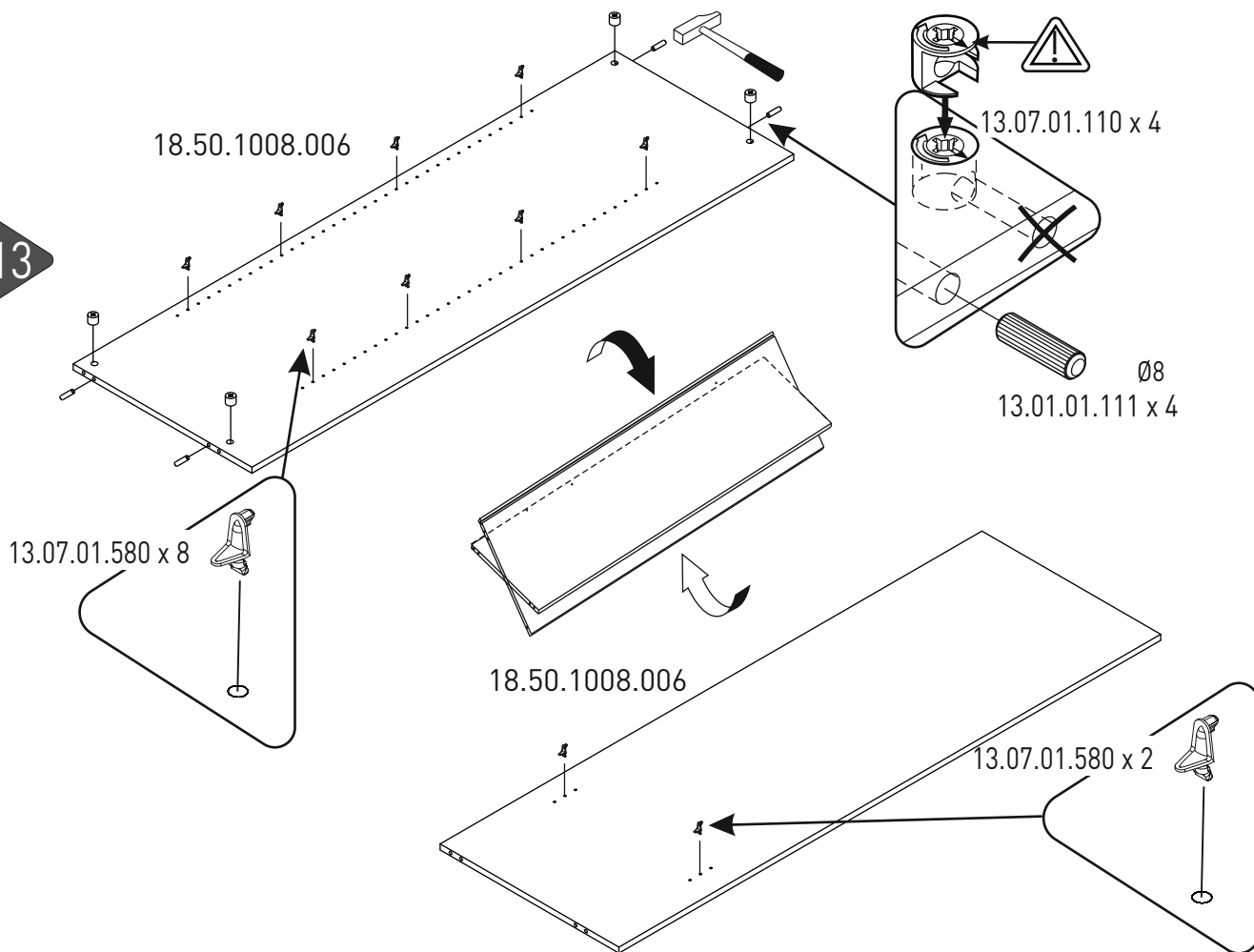


10

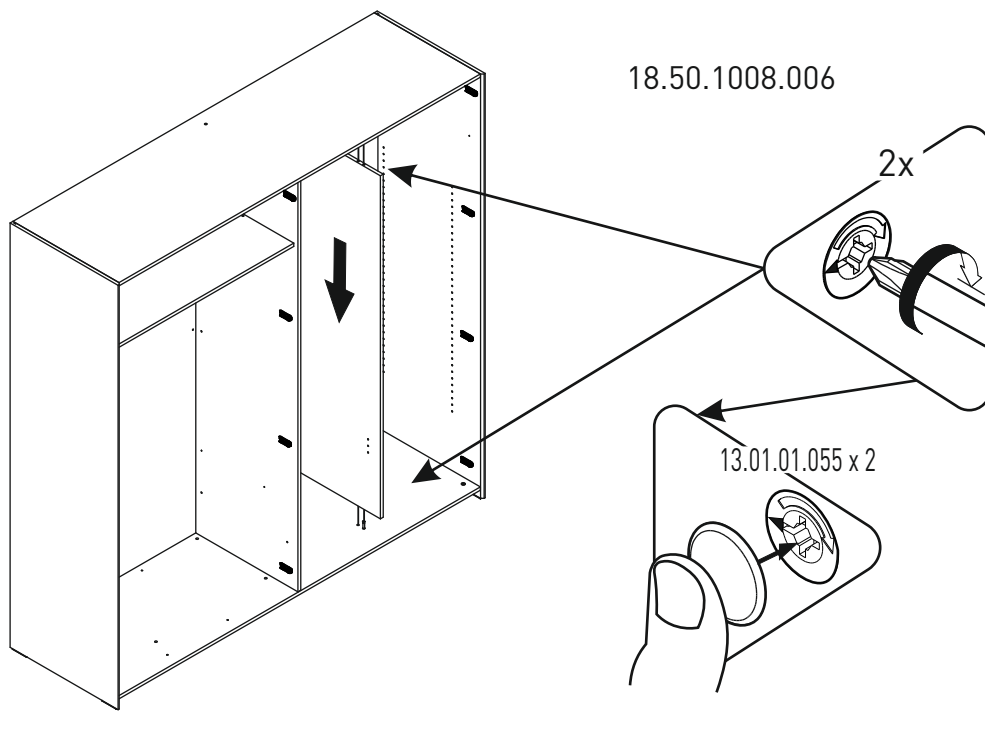




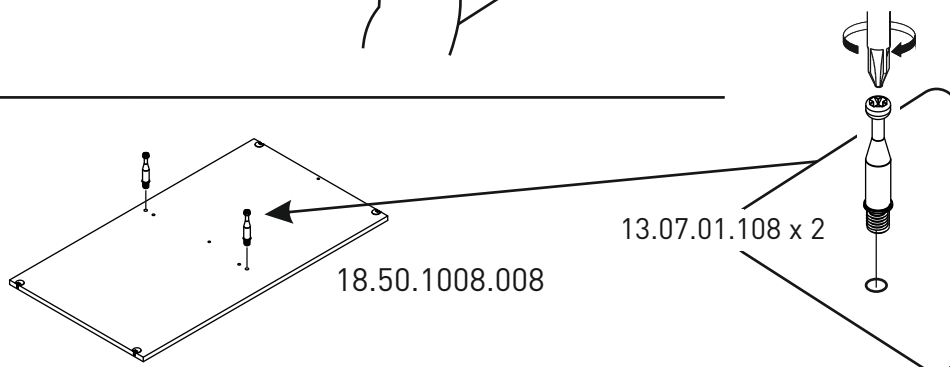
13



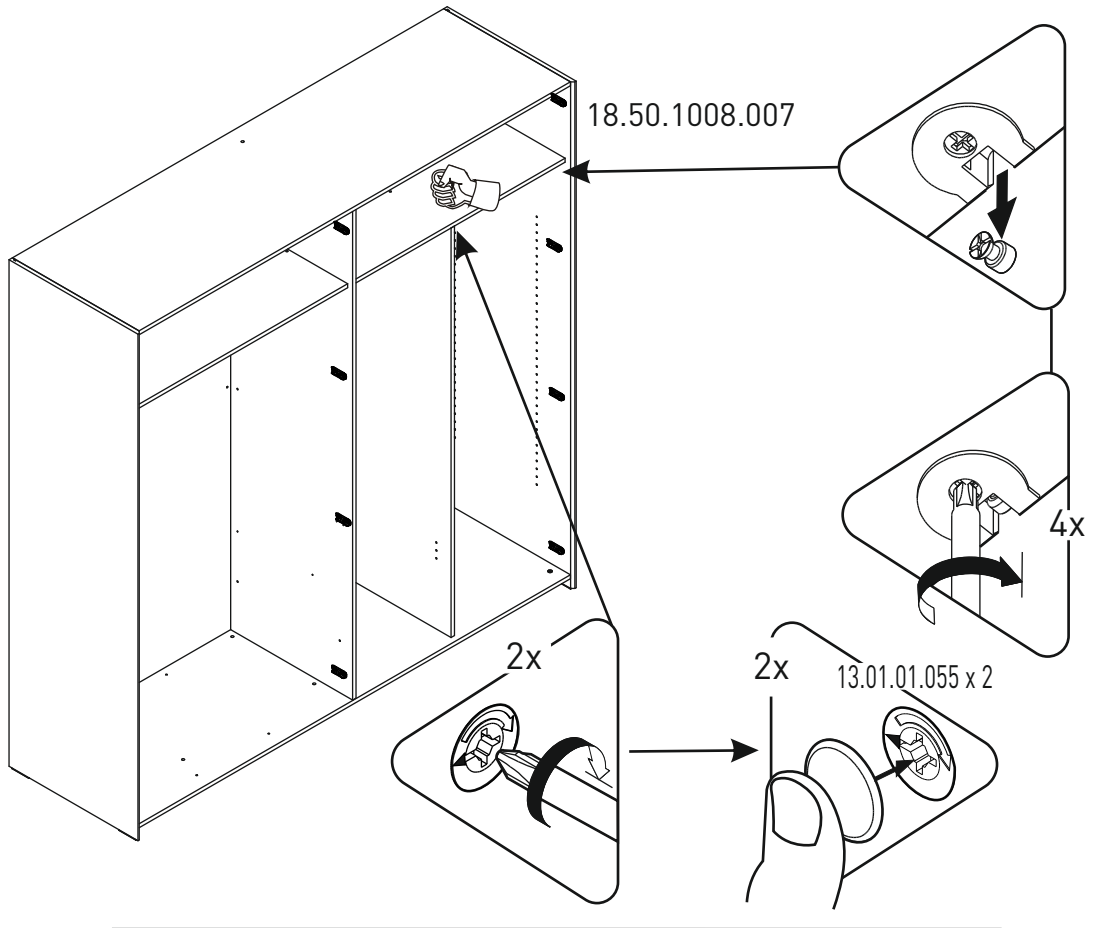
14



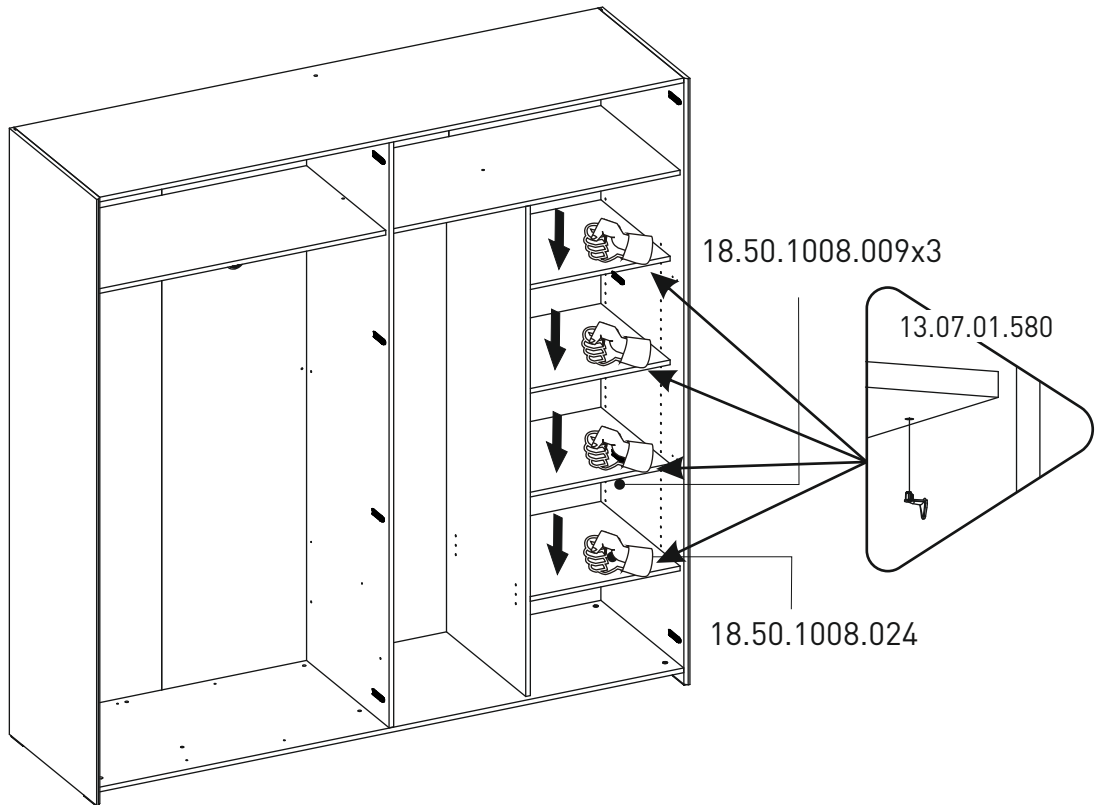
15



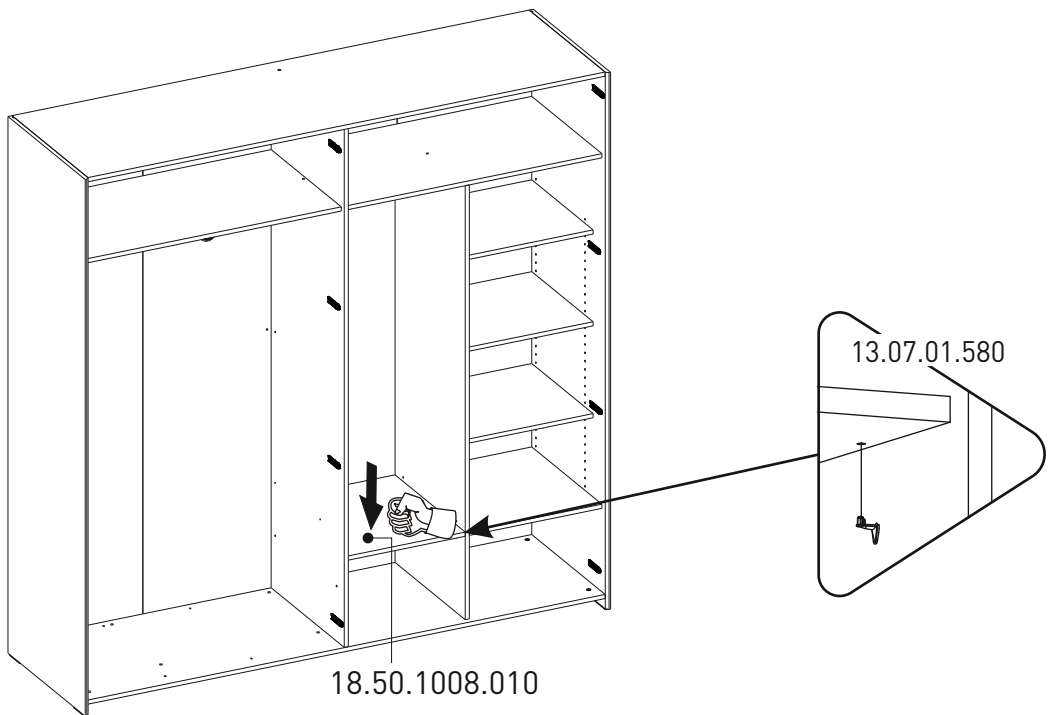
16



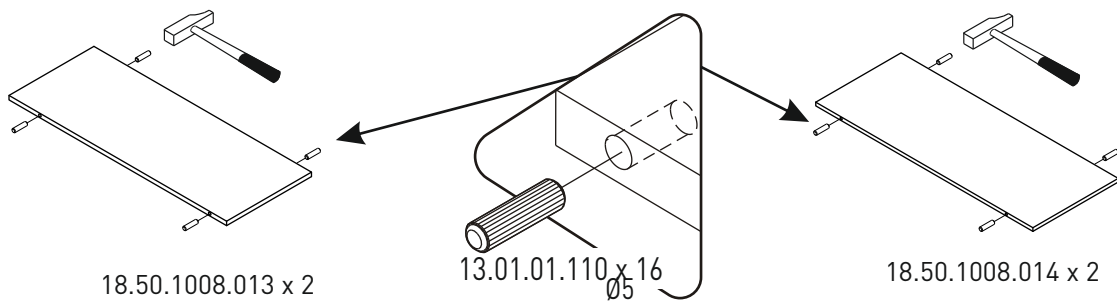
17



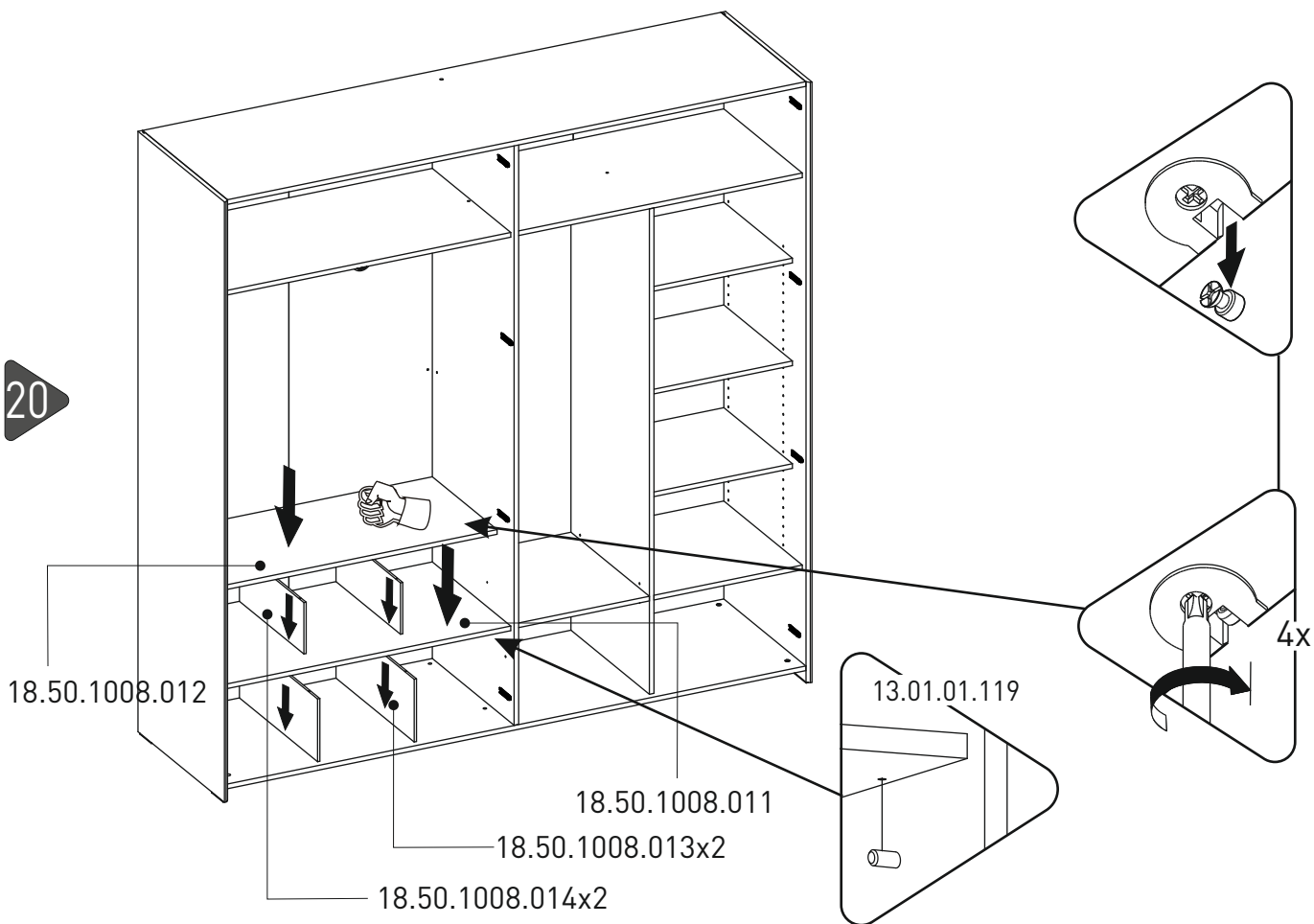
18



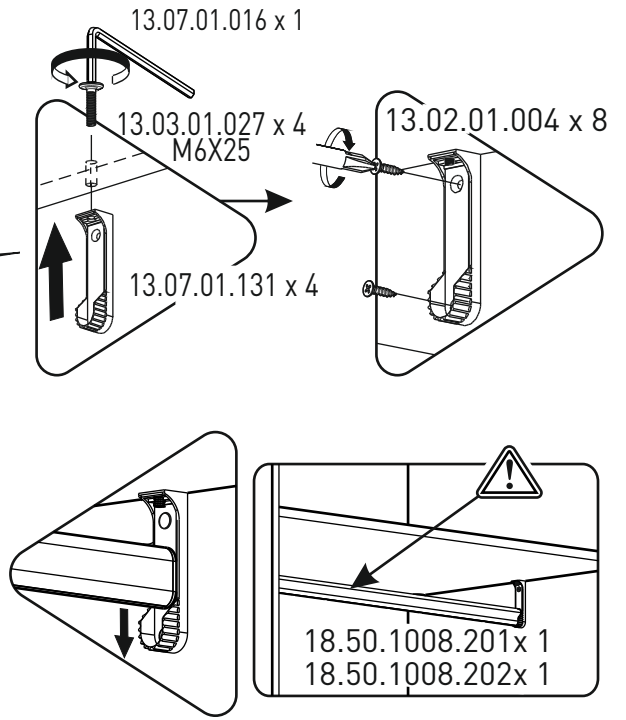
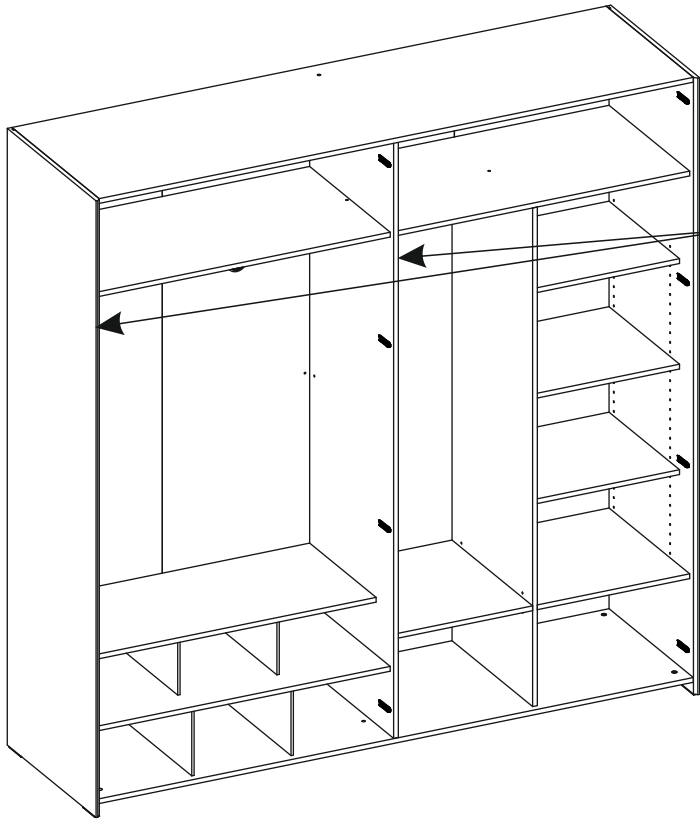
19



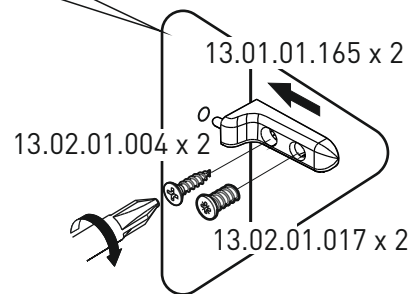
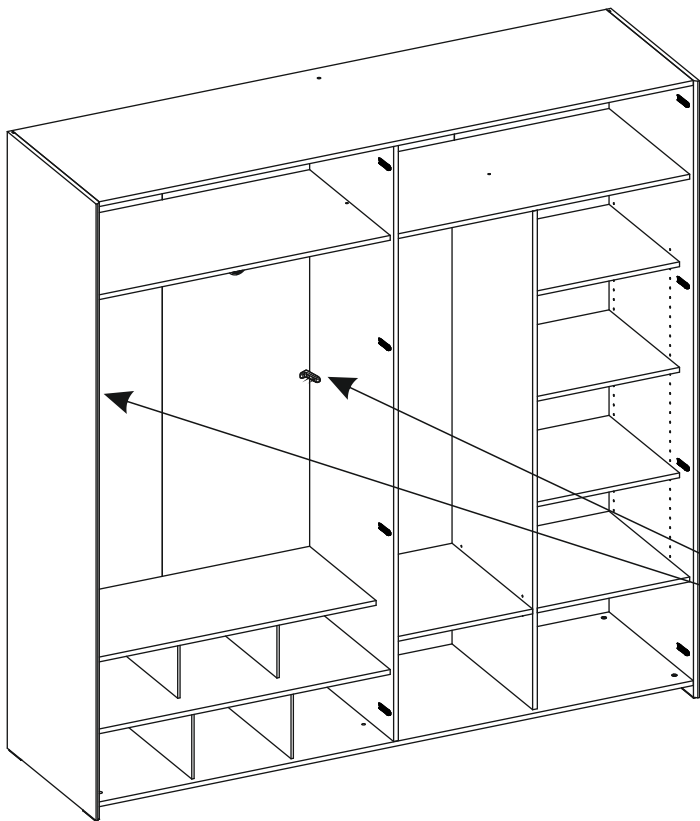
20



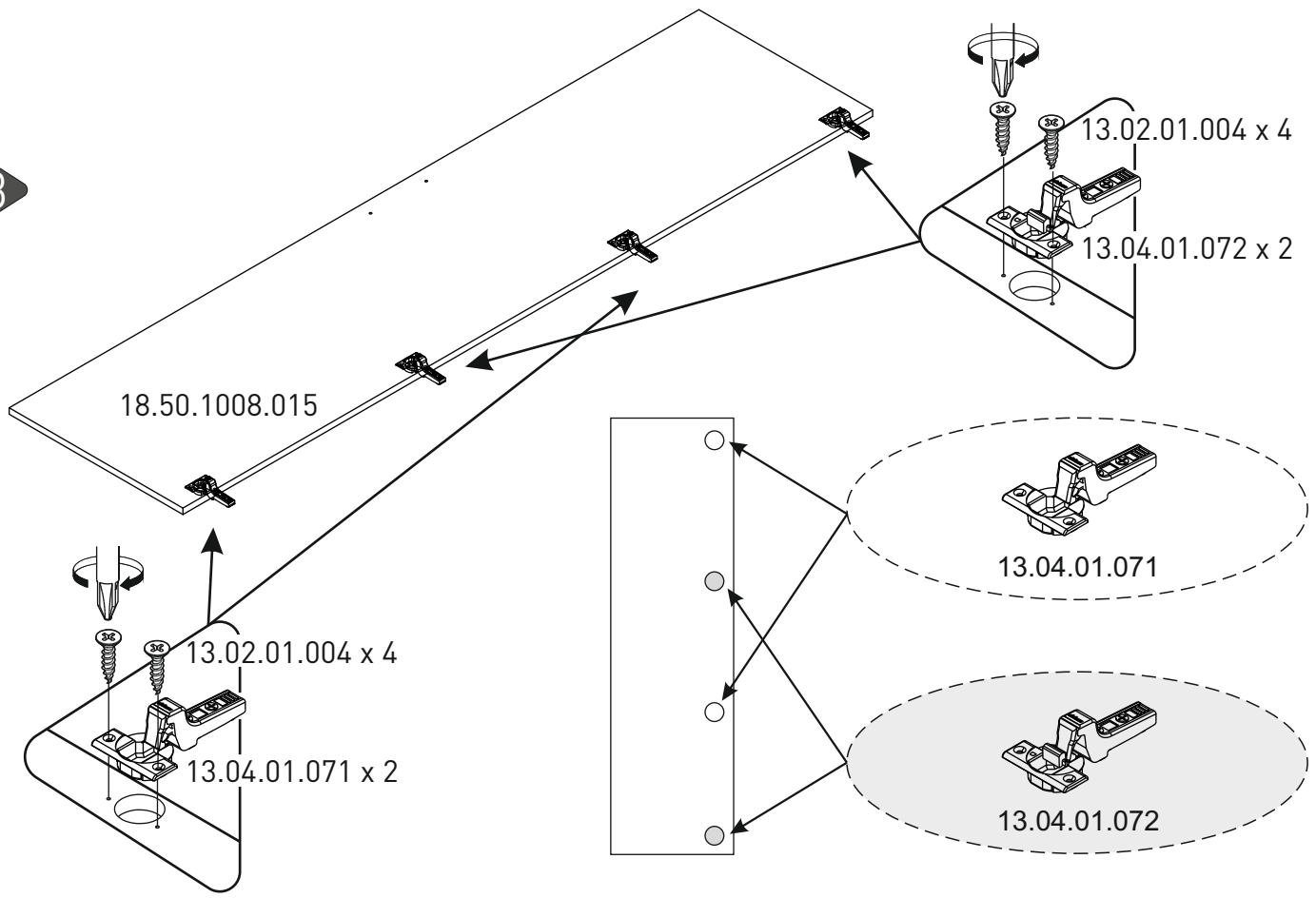
21



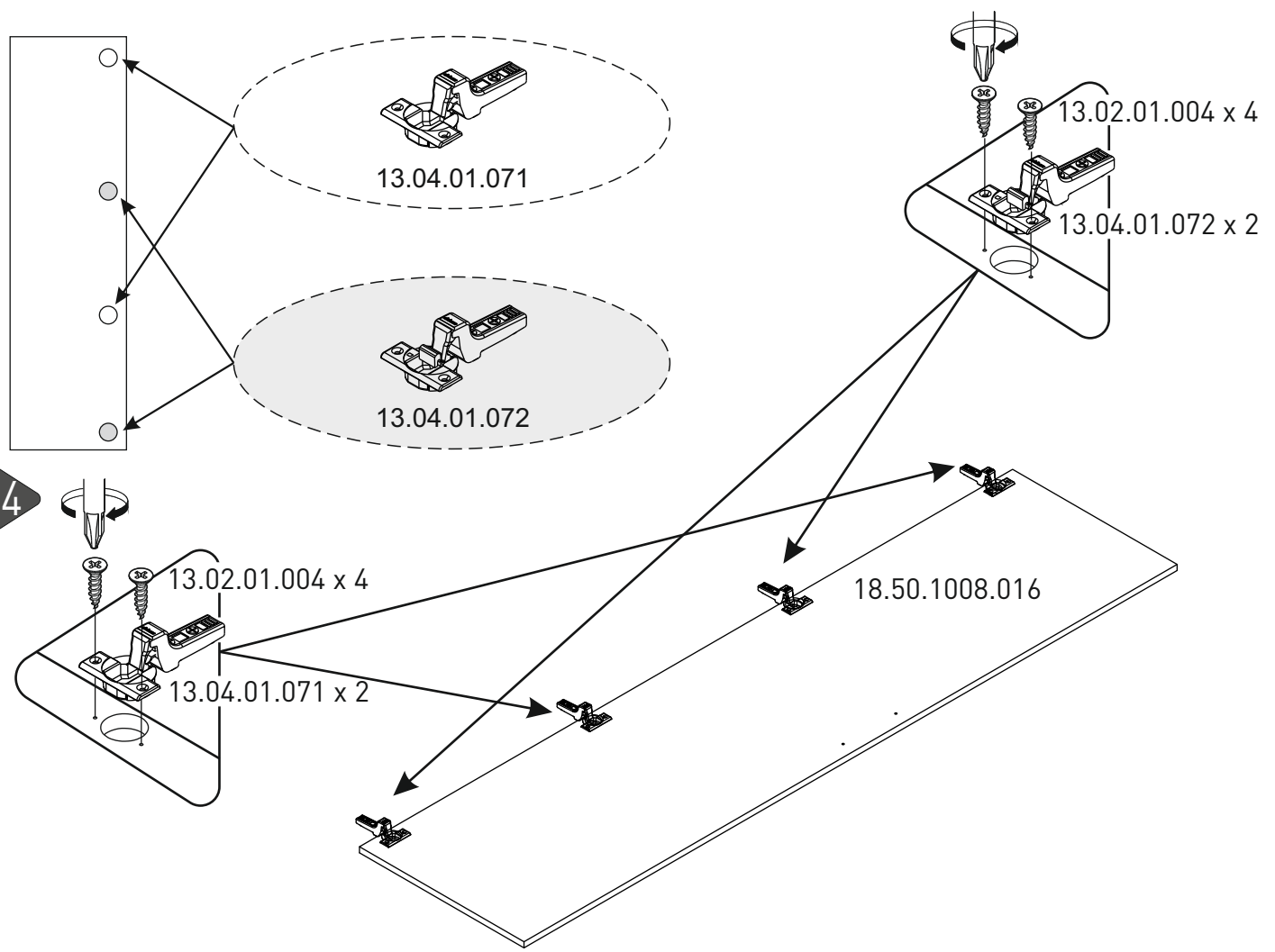
22



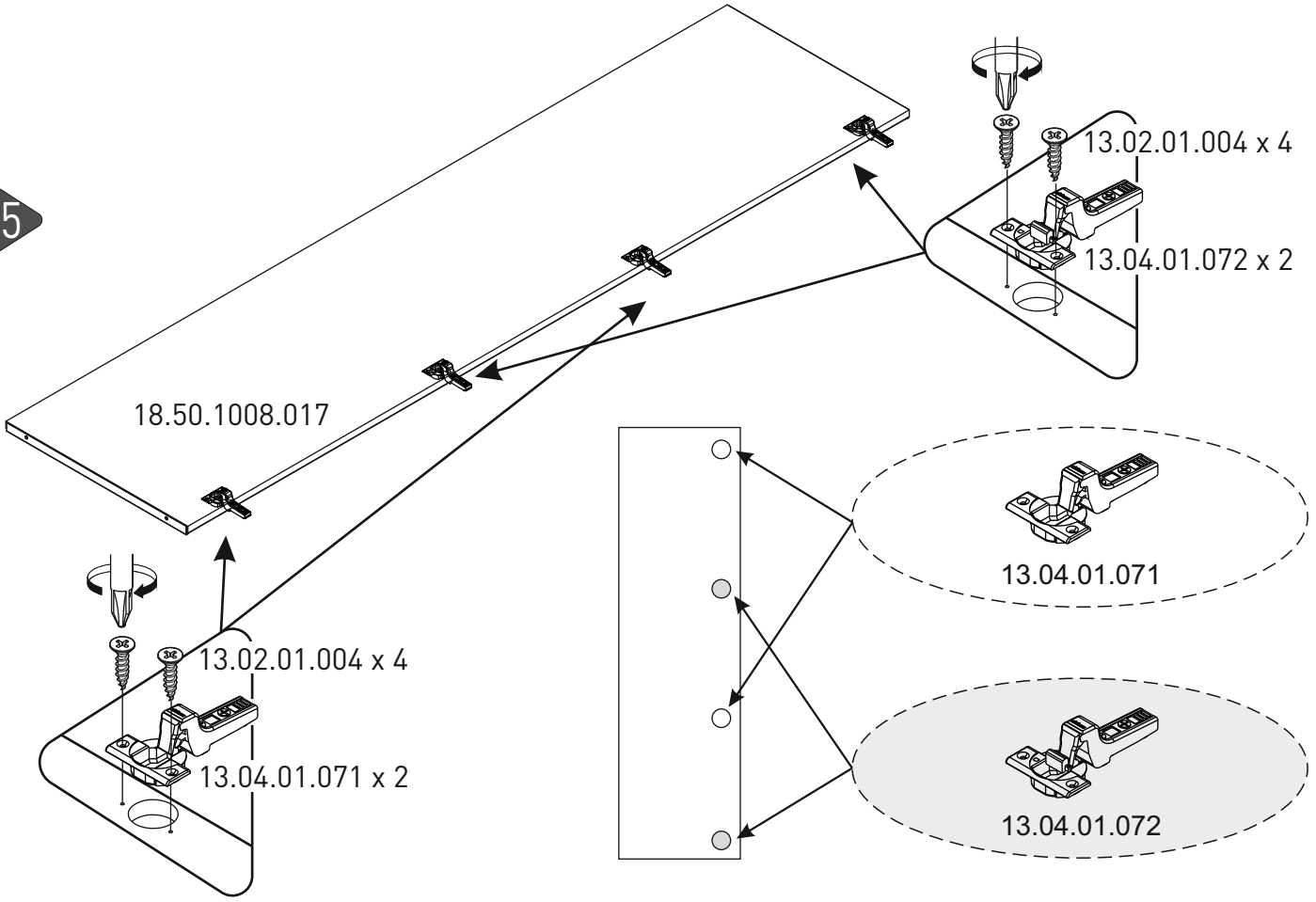
23



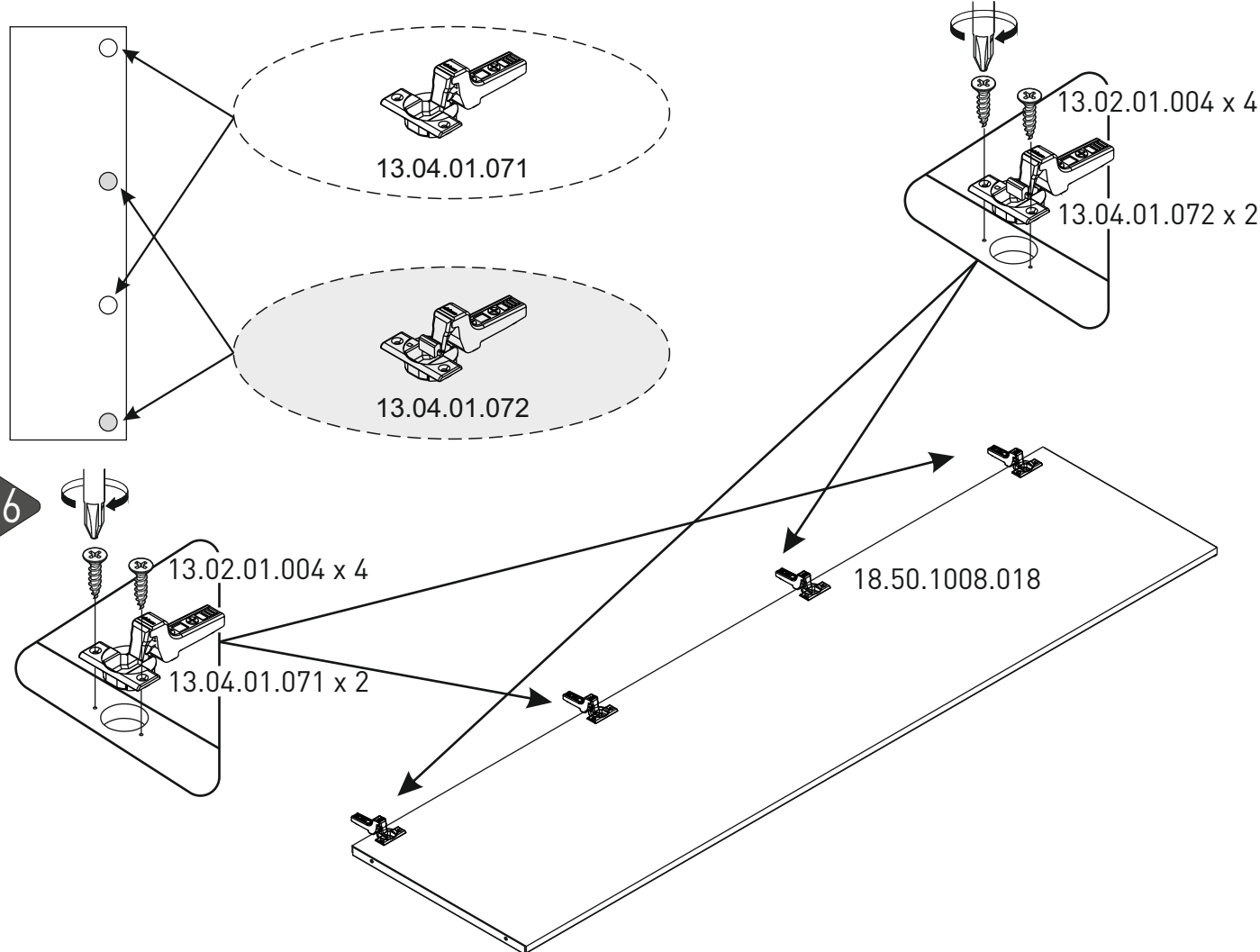
24



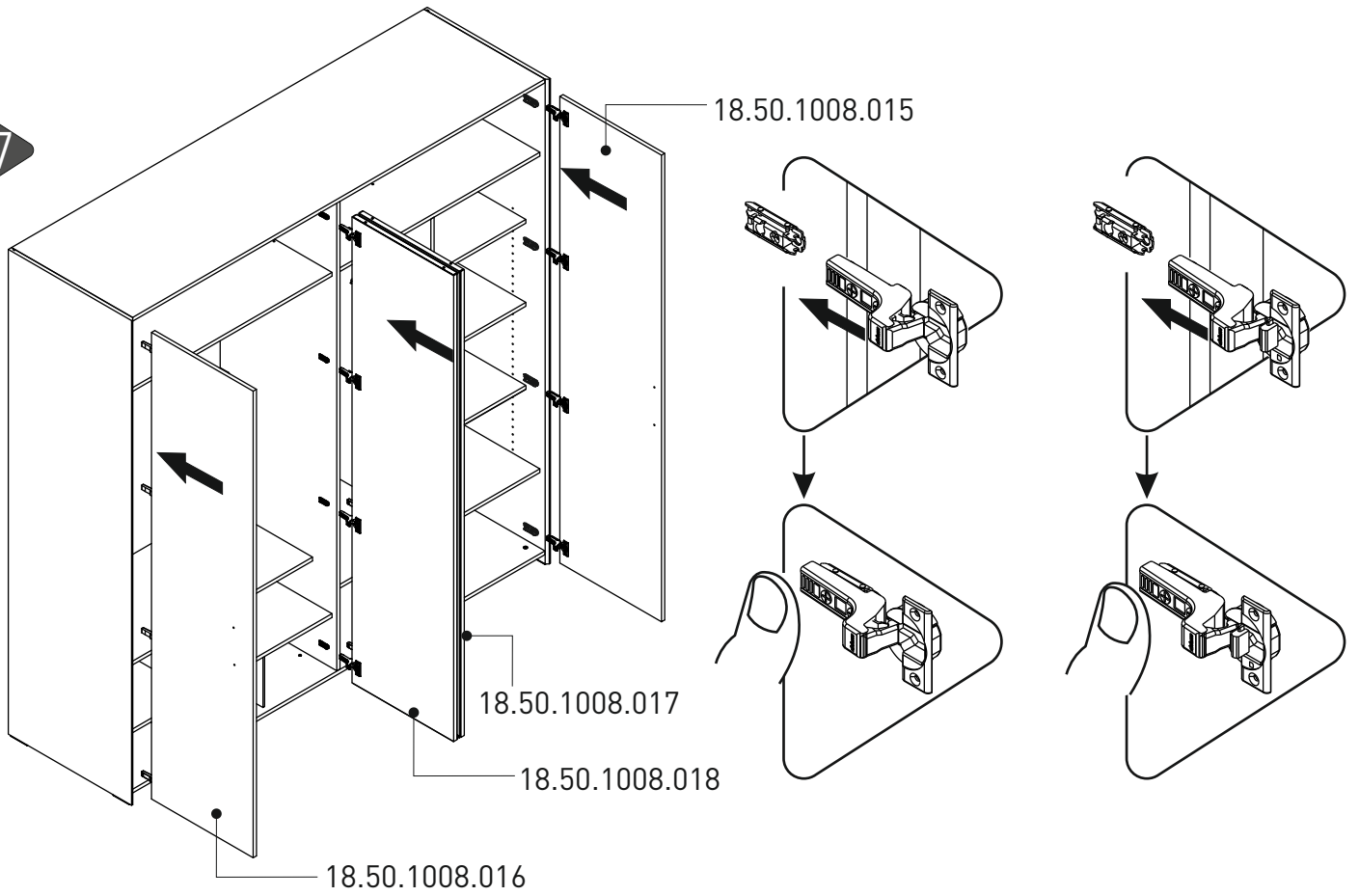
25



26



27



28

