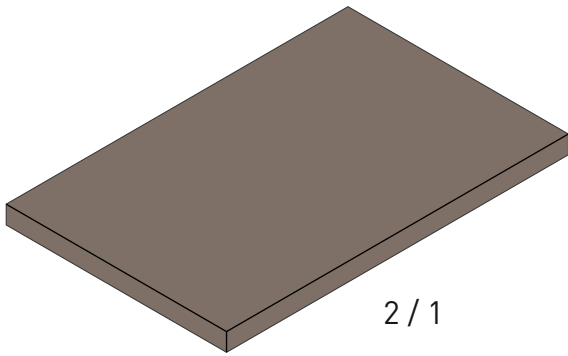
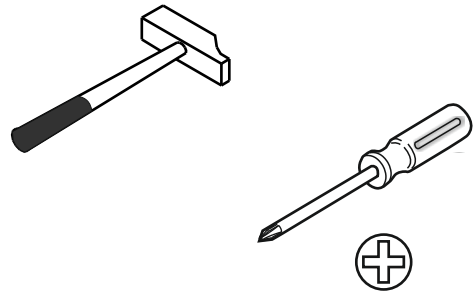
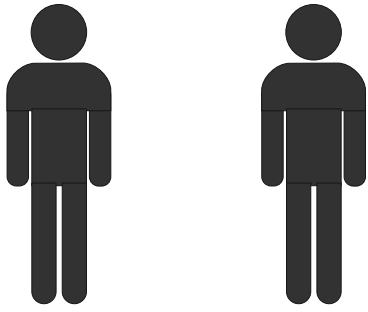
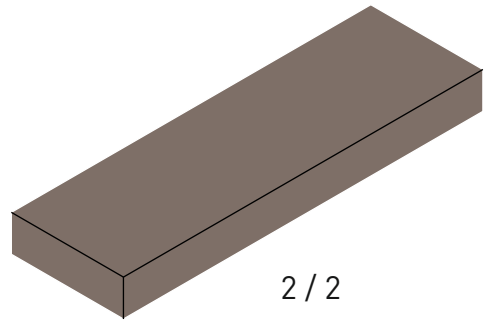


20.21.1108.00

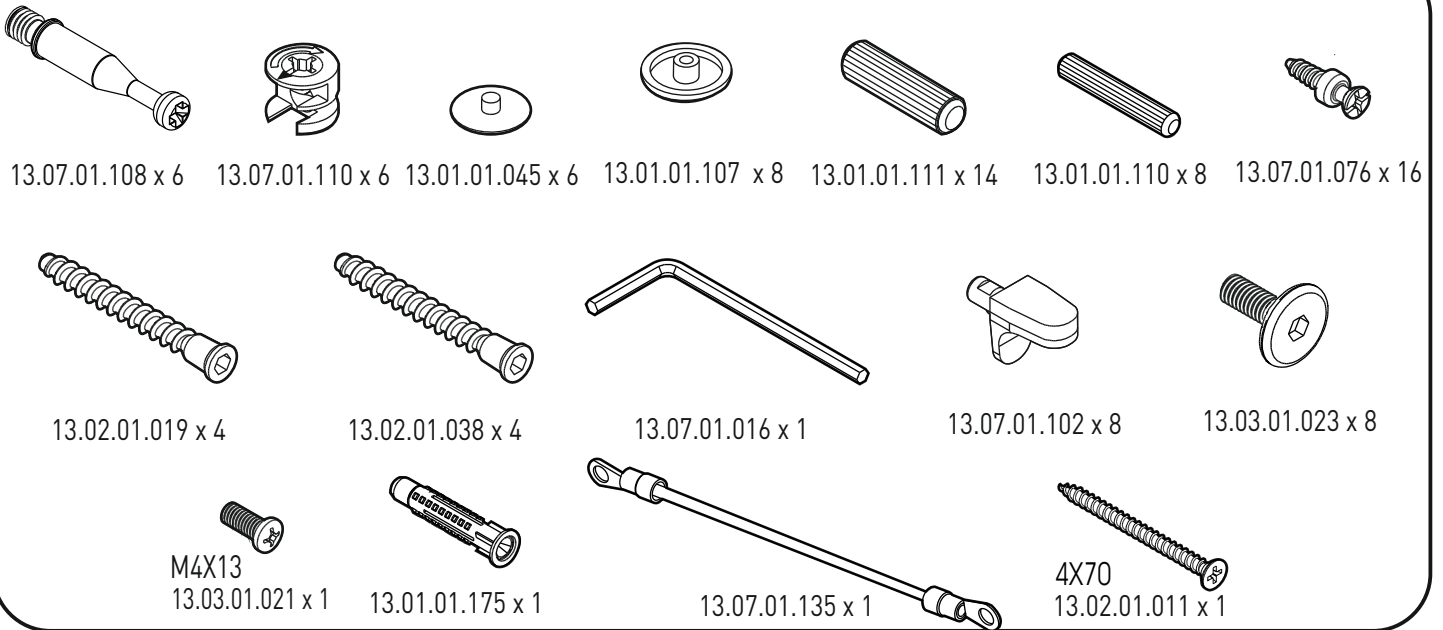




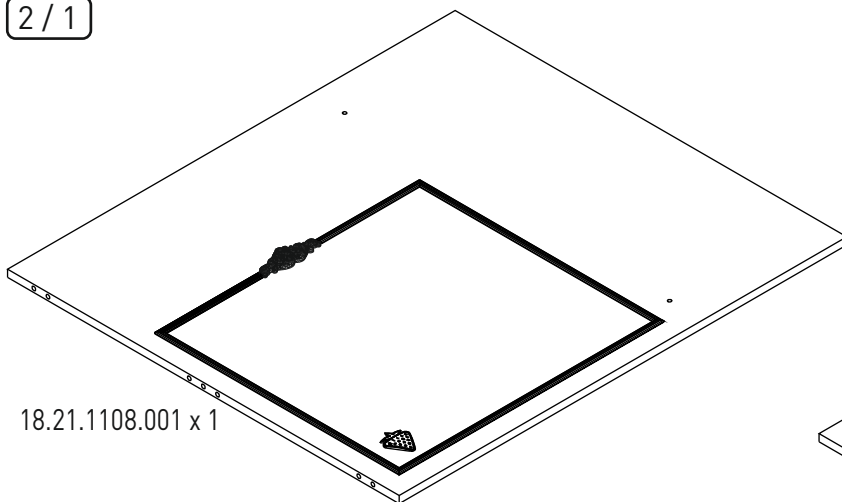
2 / 1



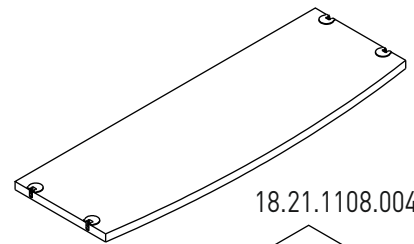
2 / 2



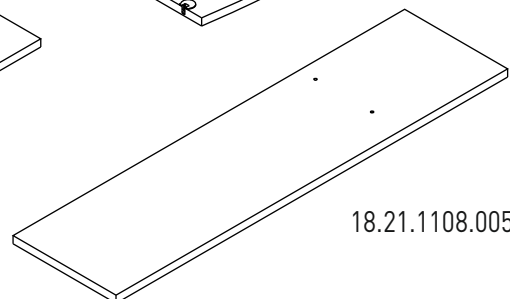
2 / 1



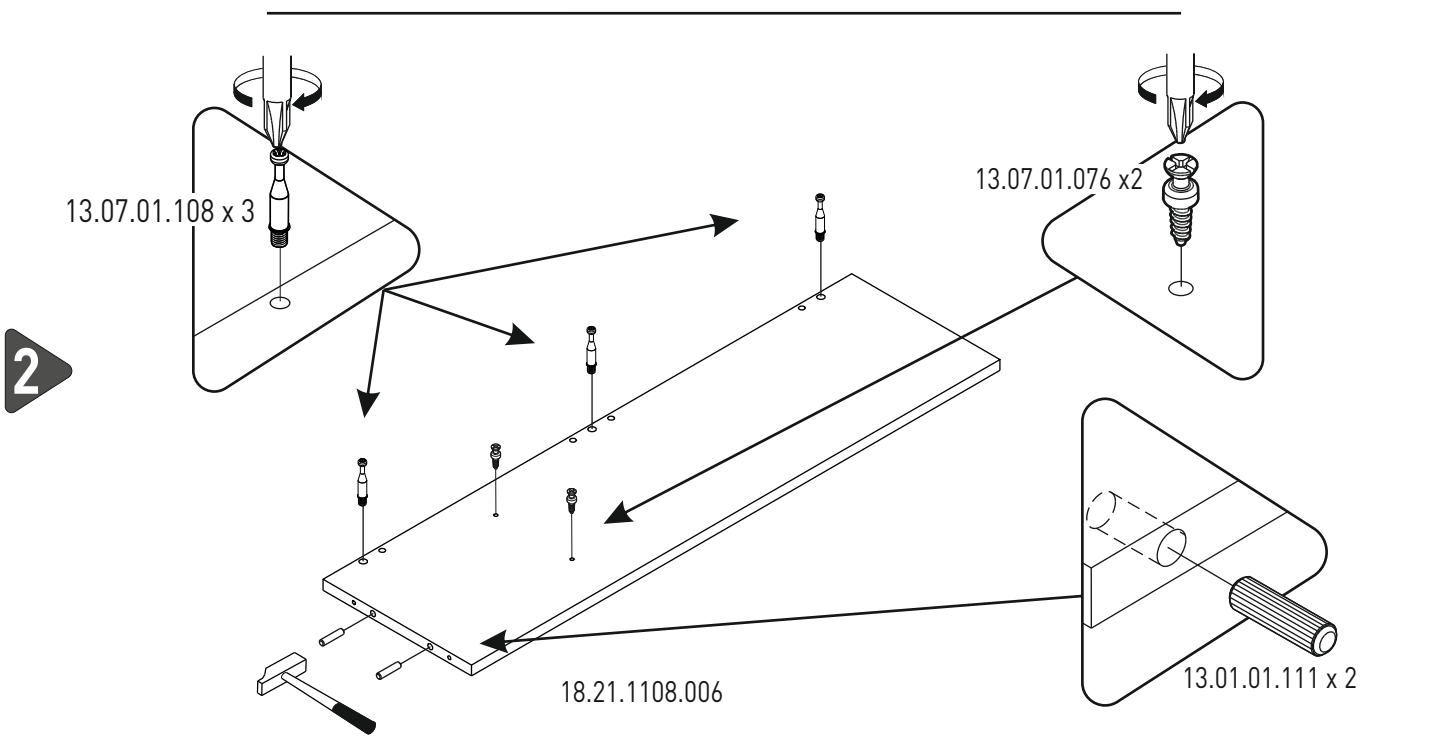
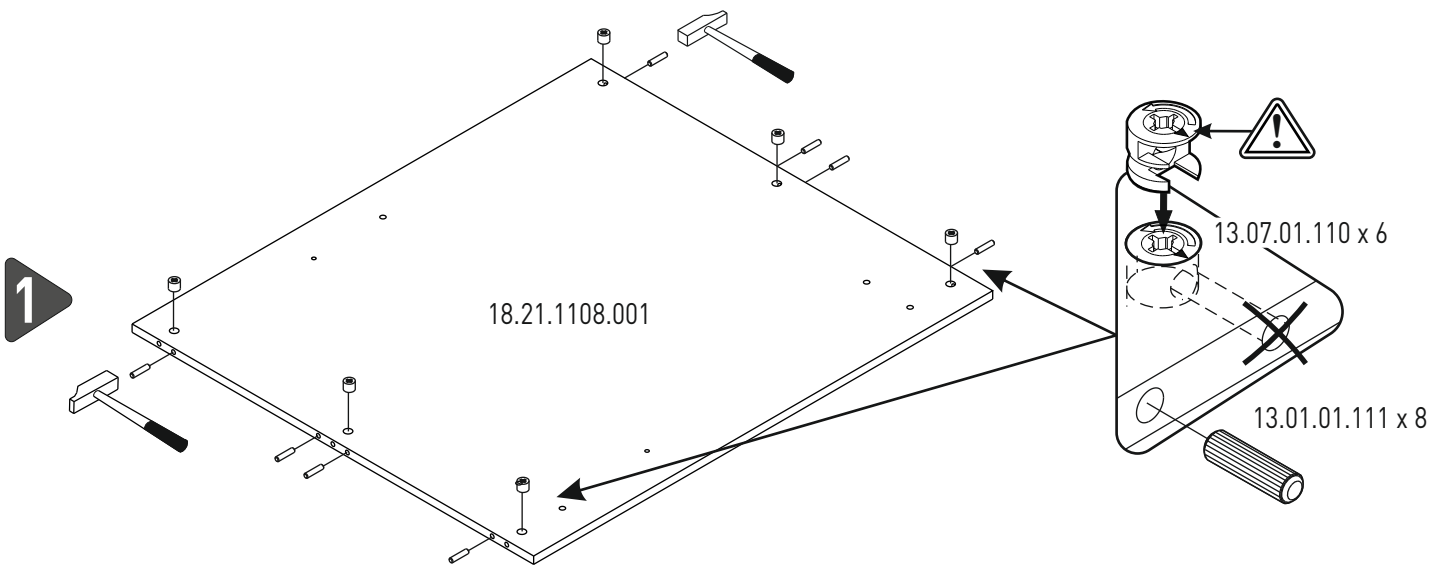
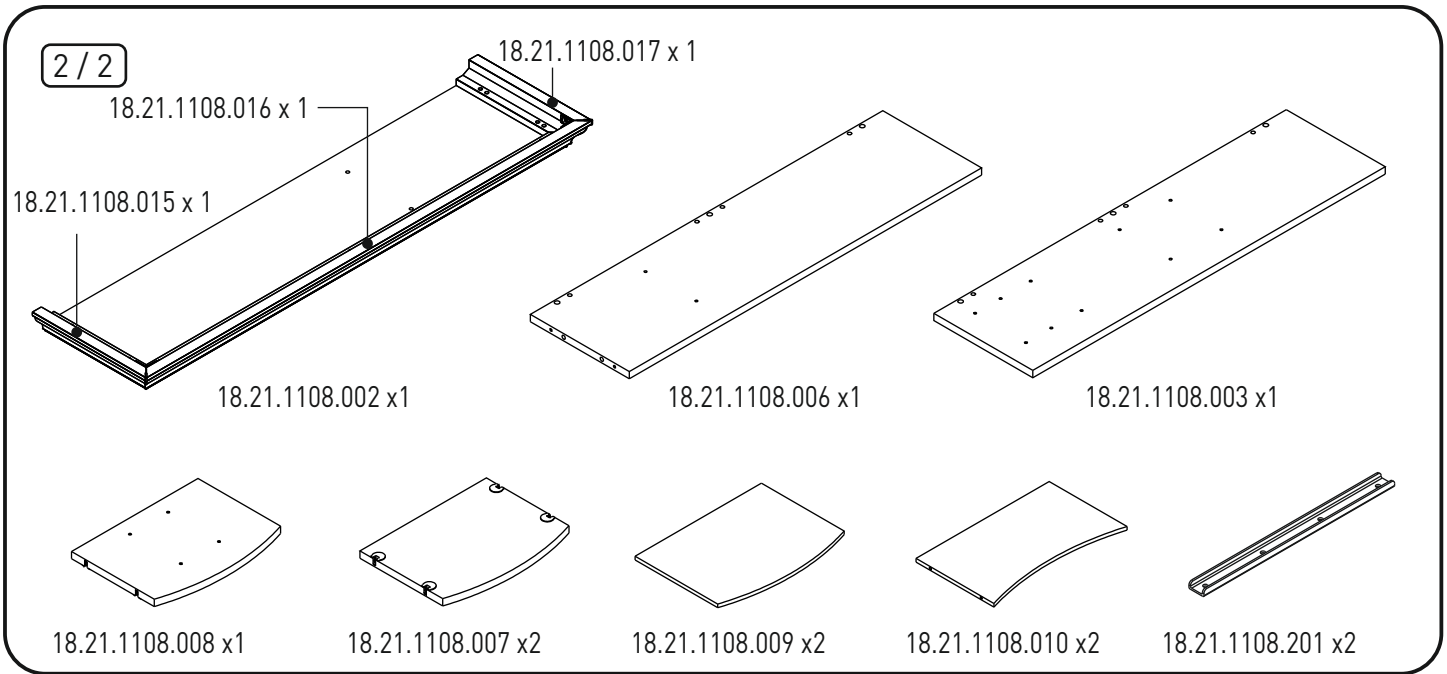
18.21.1108.001 x 1

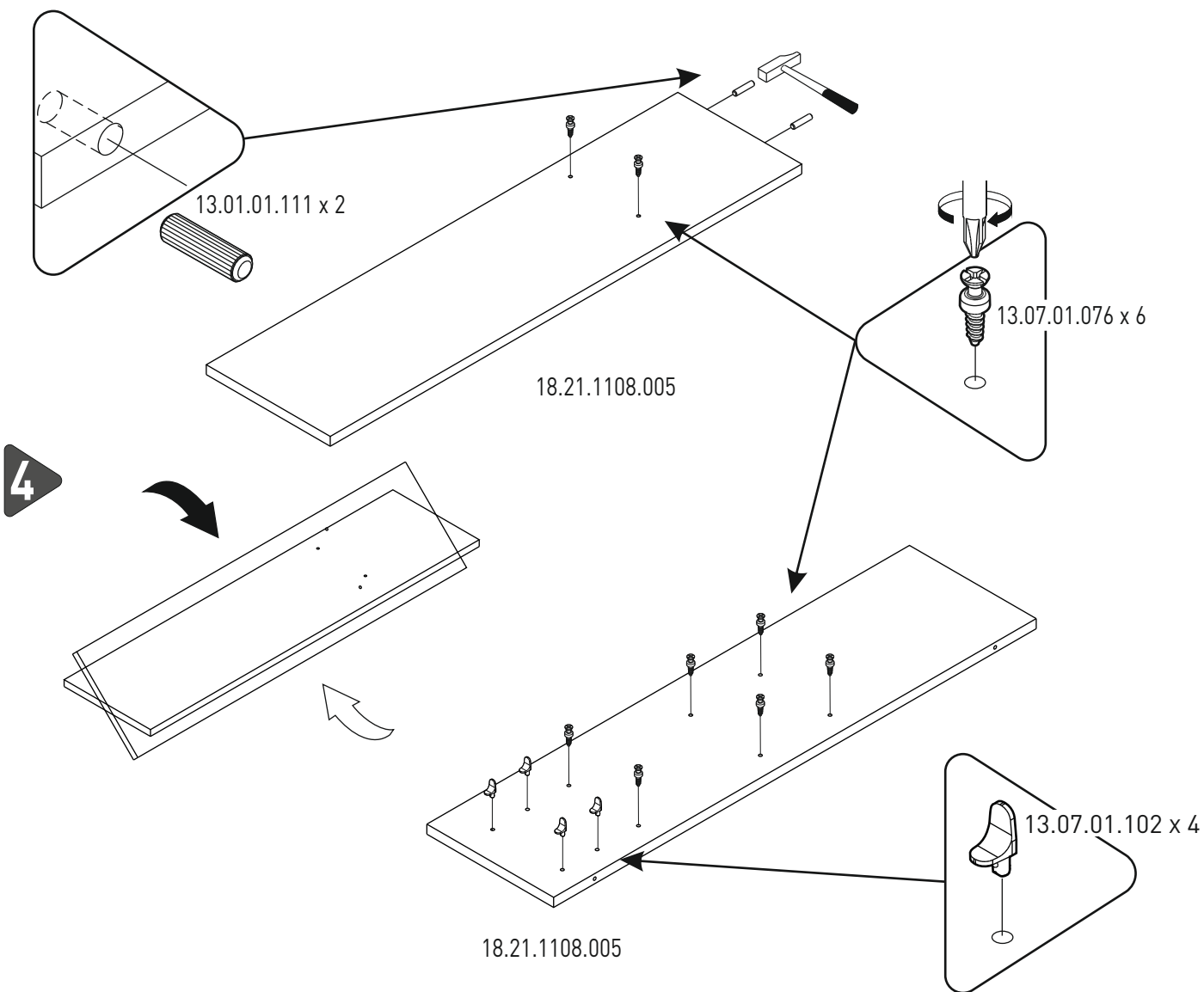
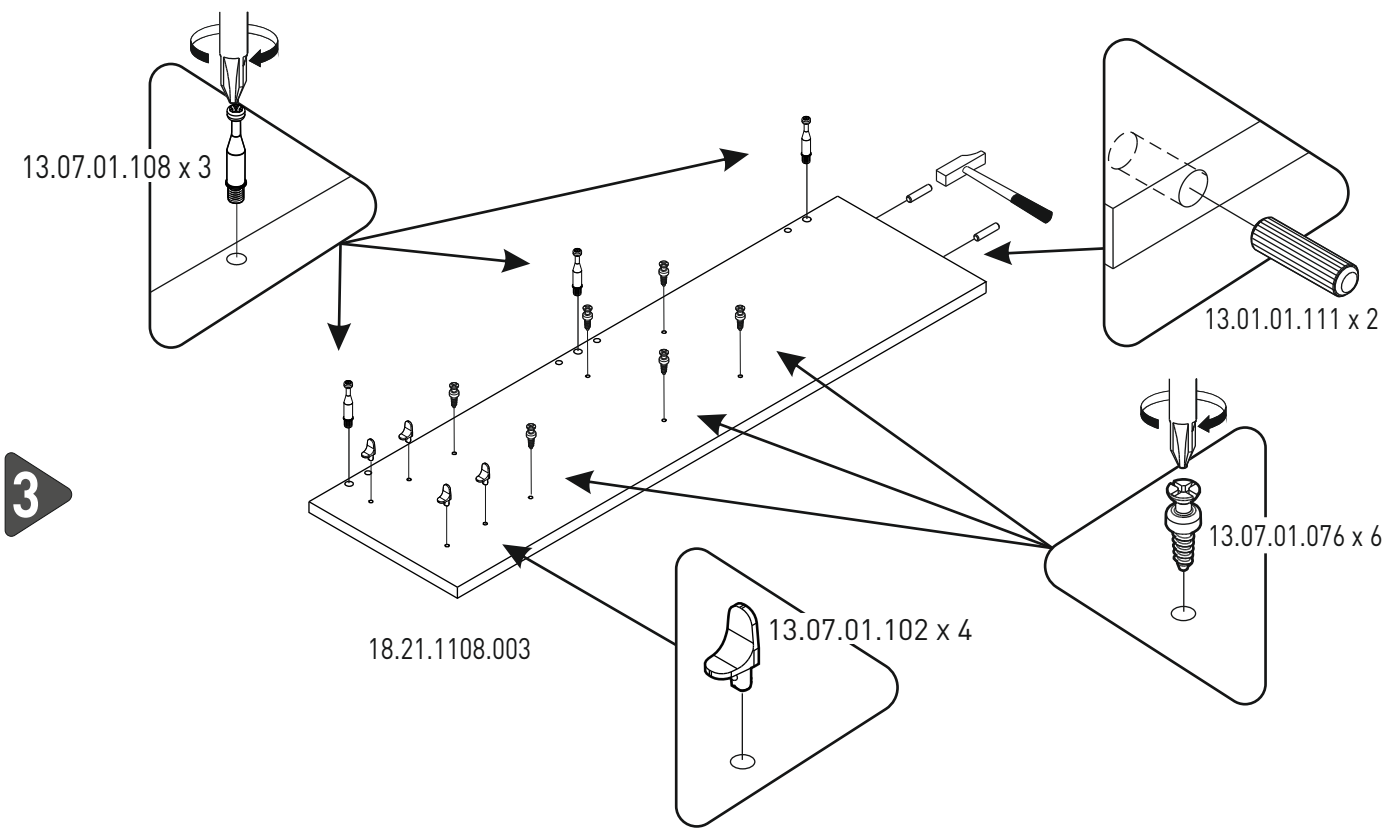


18.21.1108.004 x 1



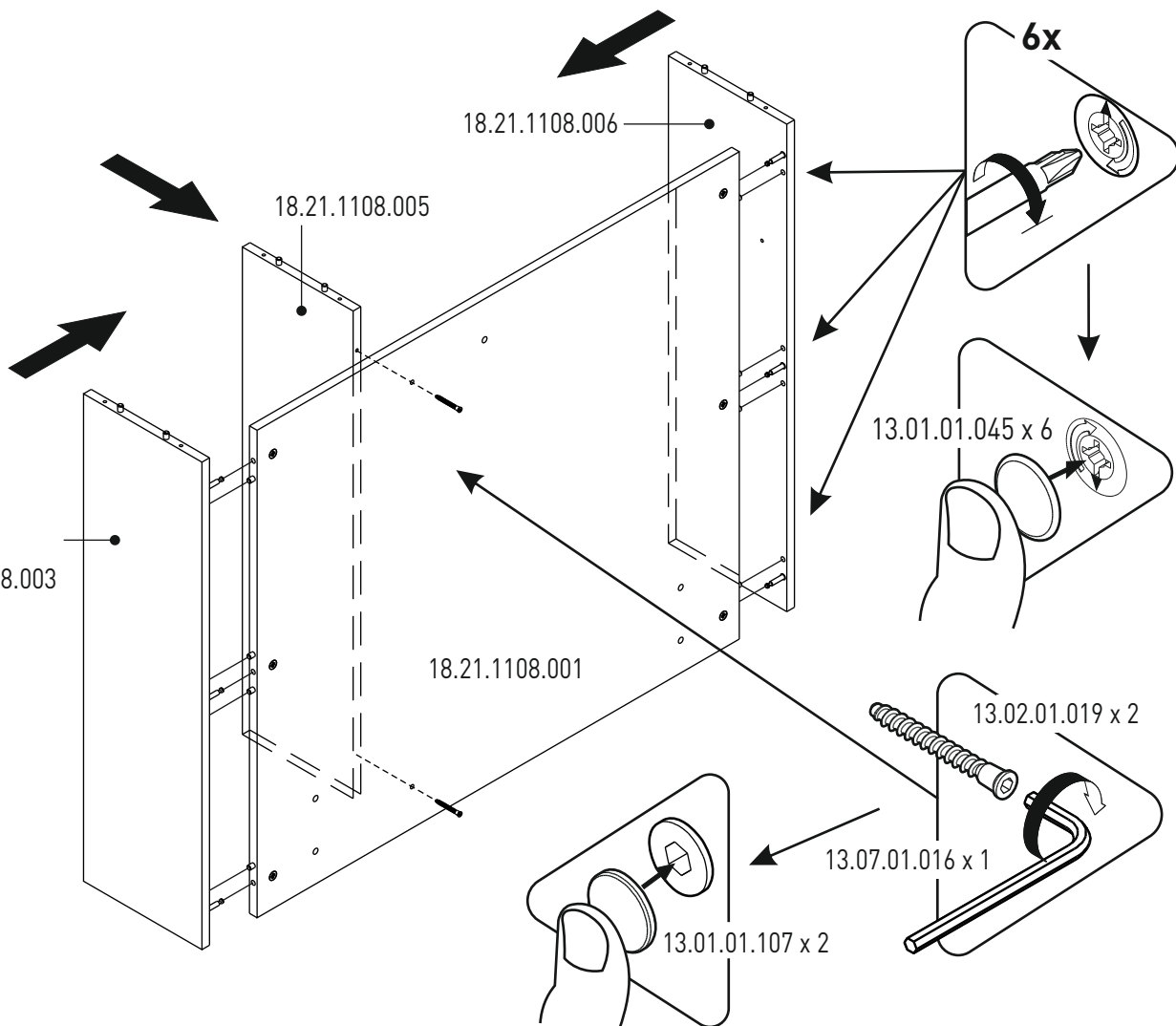
18.21.1108.005 x 1



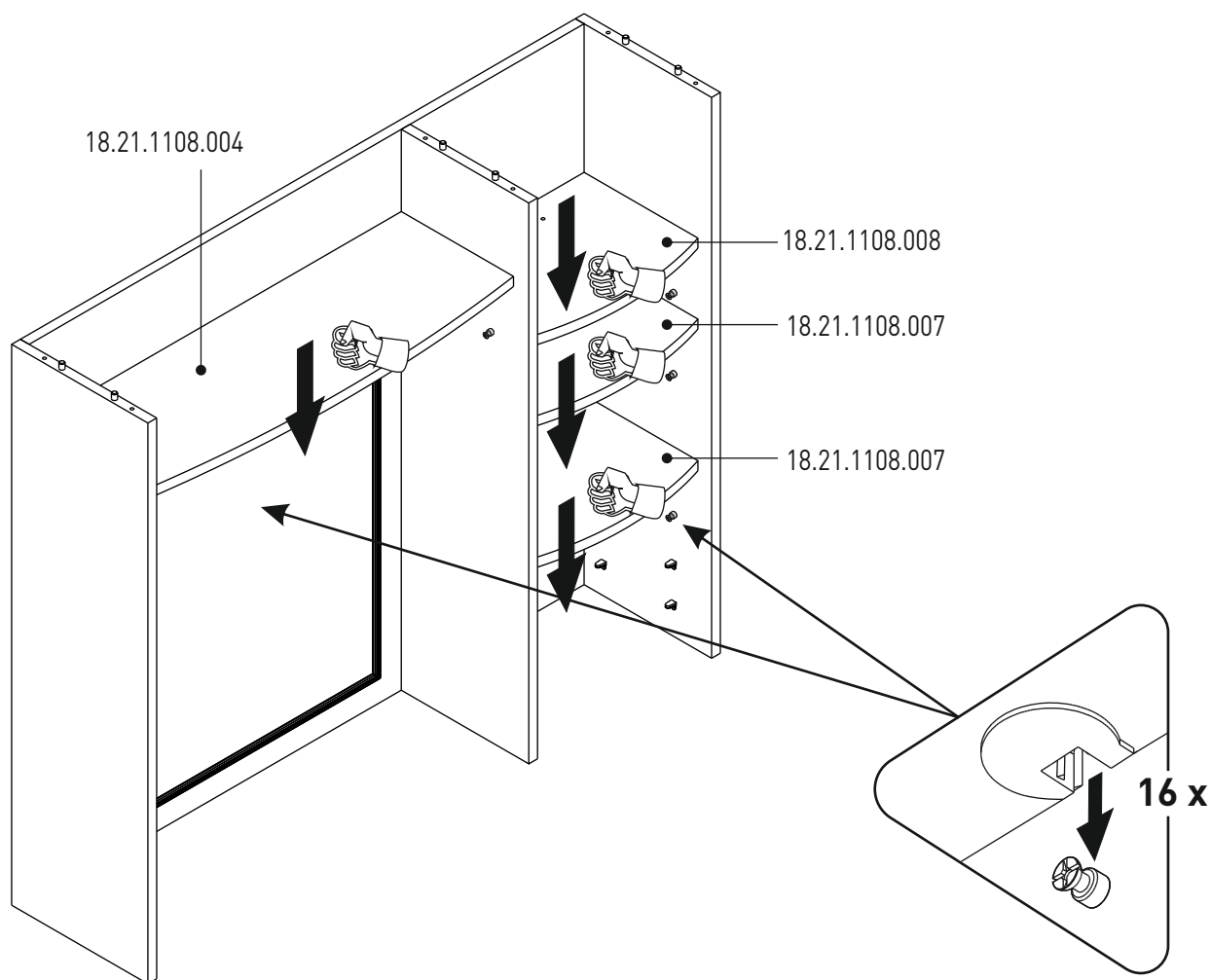


5

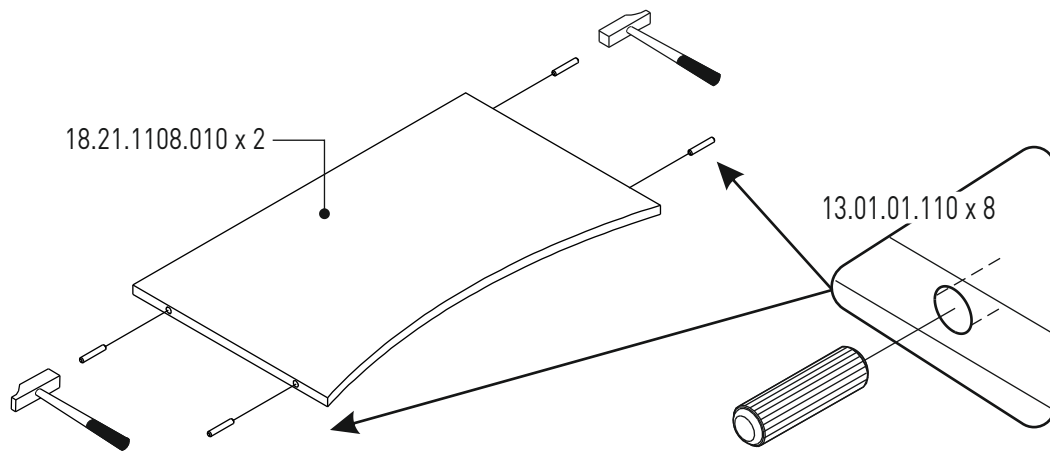
18.21.1108.003



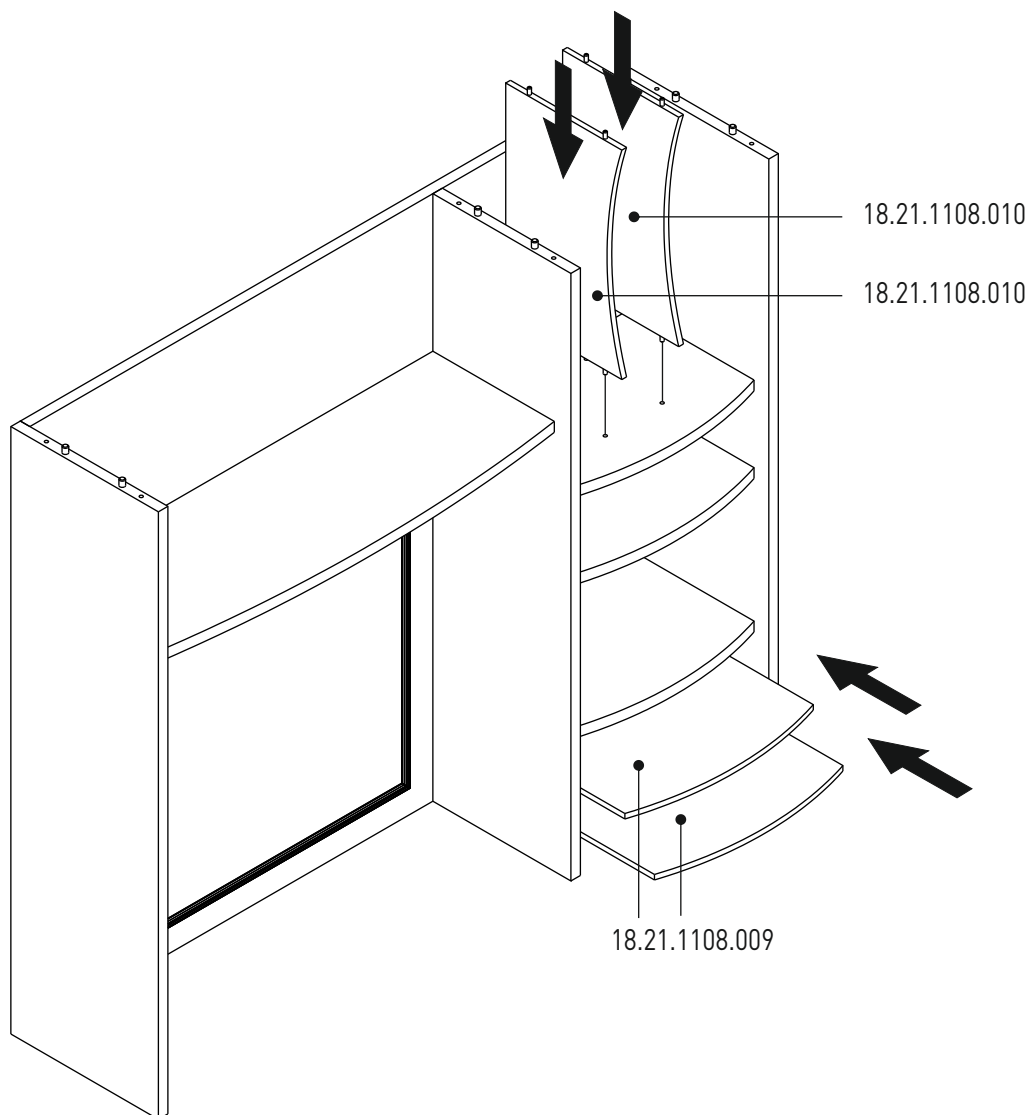
6



7



8



13.07.01.016 x 1

13.02.01.019 x 2

13.01.01.107 x 6

18.21.1108.002

9

13.07.01.016 x 1

13.02.01.038 x 4

