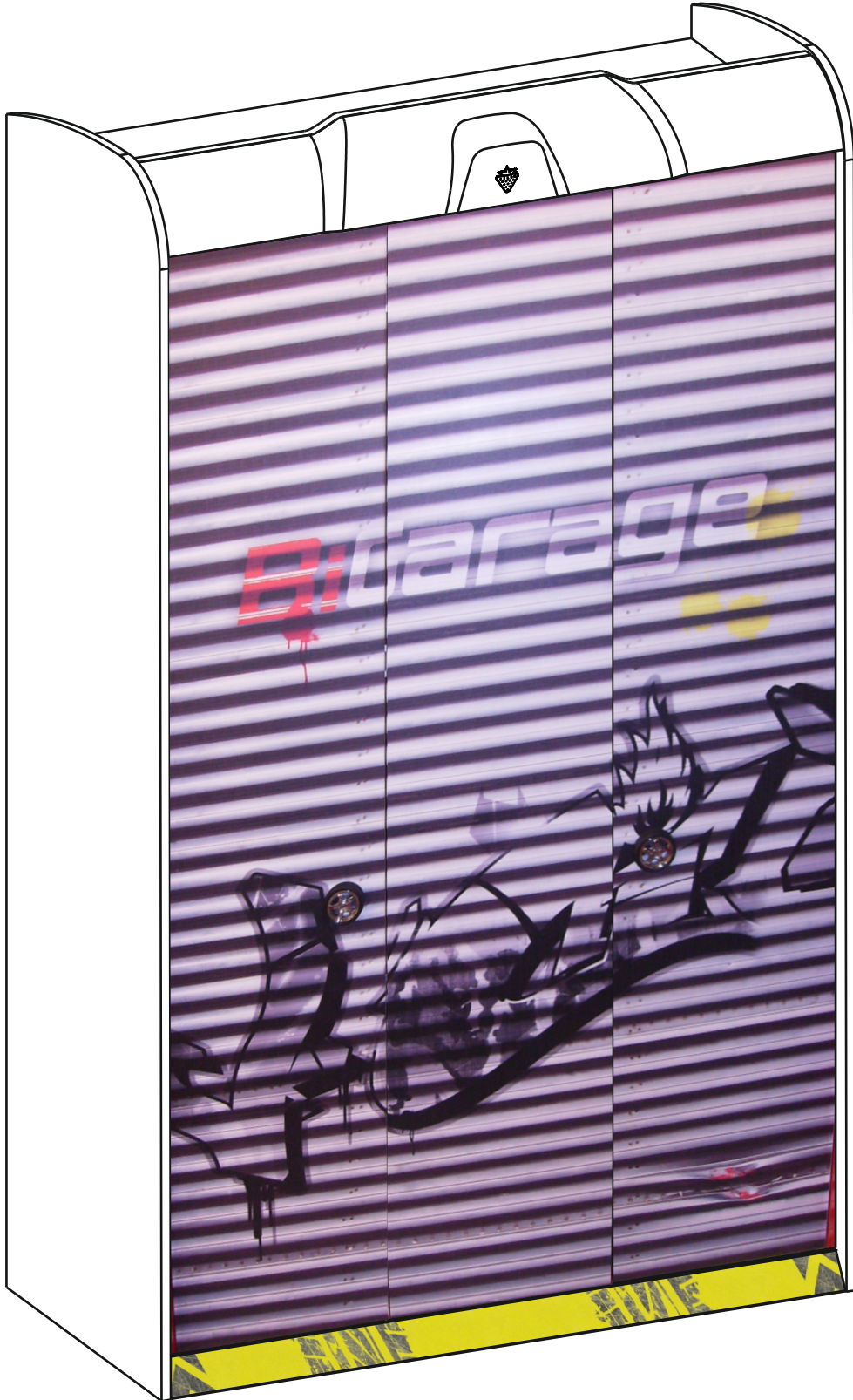
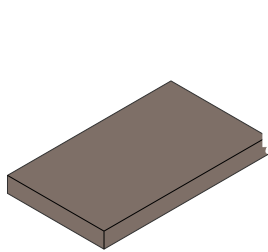
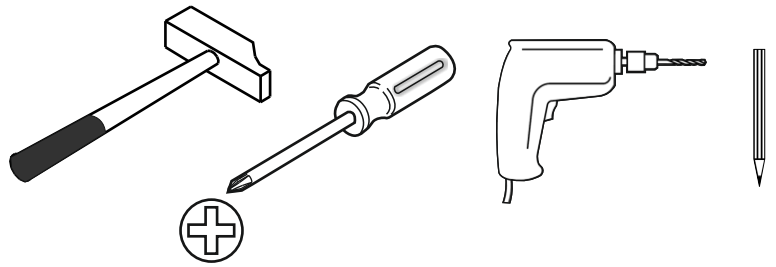
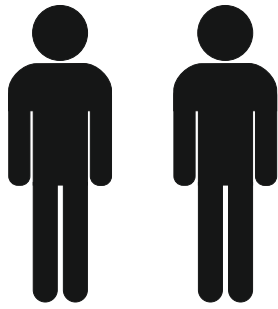
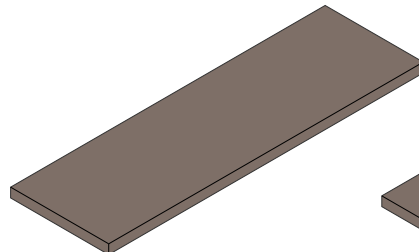


20.35.1004.00

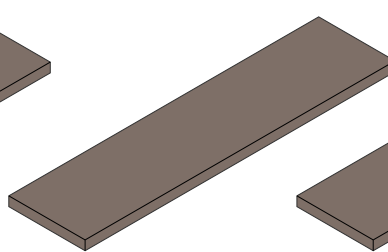




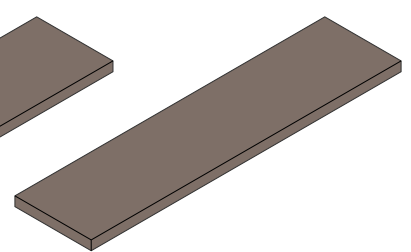
4/1



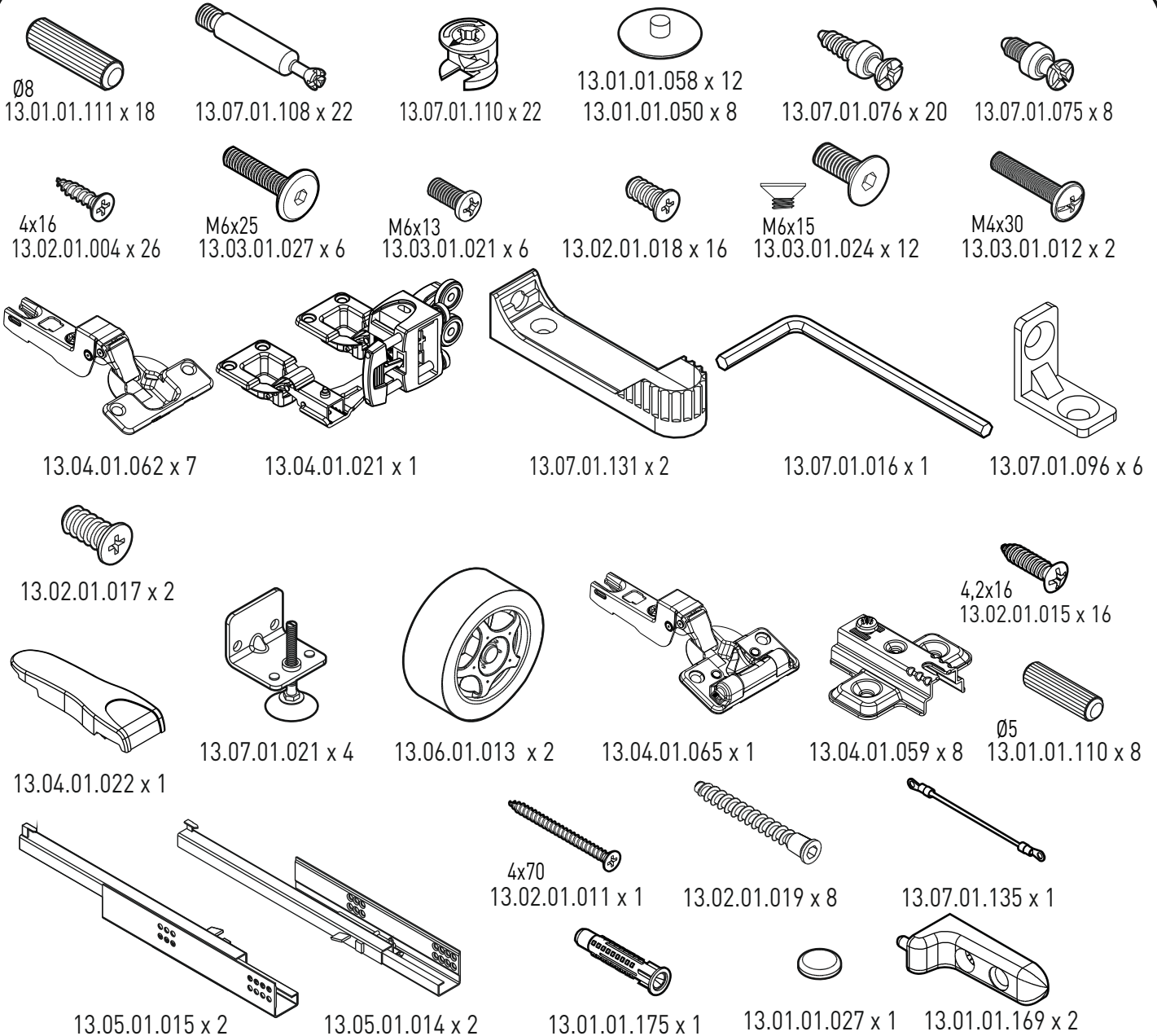
4/2



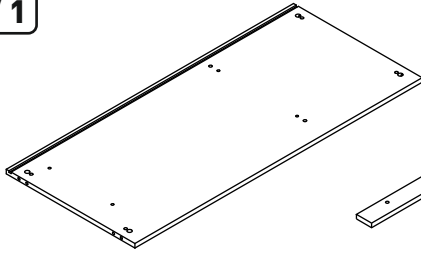
4/3



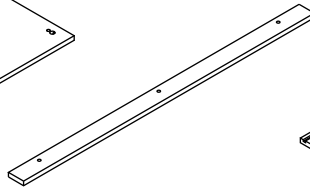
4/4



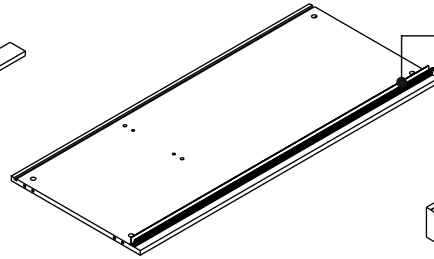
4/1



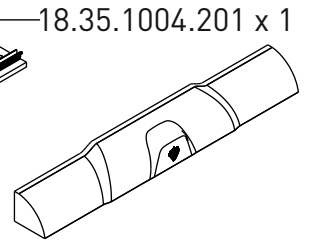
18.35.1004.003 x 1



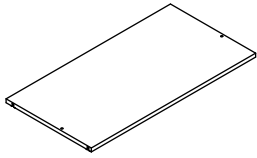
18.35.1004.004 x 2



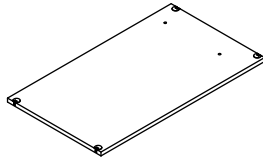
18.35.1004.008 x 1



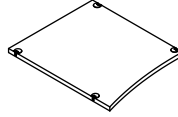
18.35.1004.201 x 1



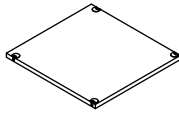
18.35.1004.011 x 1



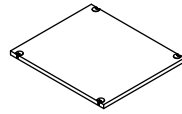
18.35.1004.012 x 1



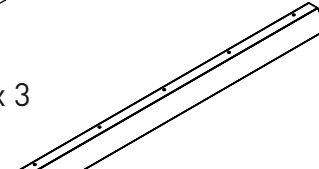
18.35.1004.015 x 3



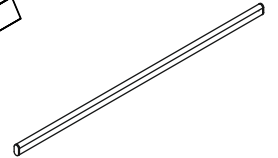
18.35.1004.013 x 1



18.35.1004.014 x 1

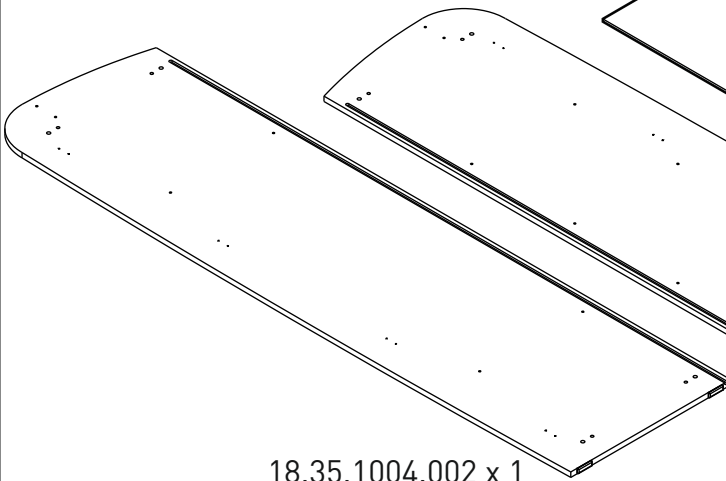


18.35.1002.020 x 1

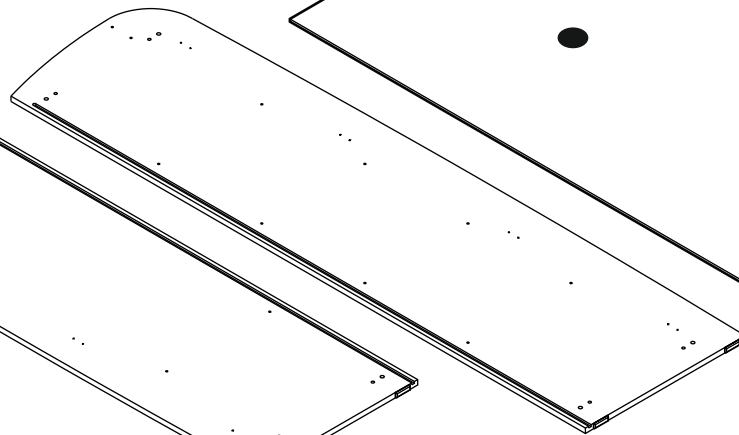


18.35.1004.202 x 1

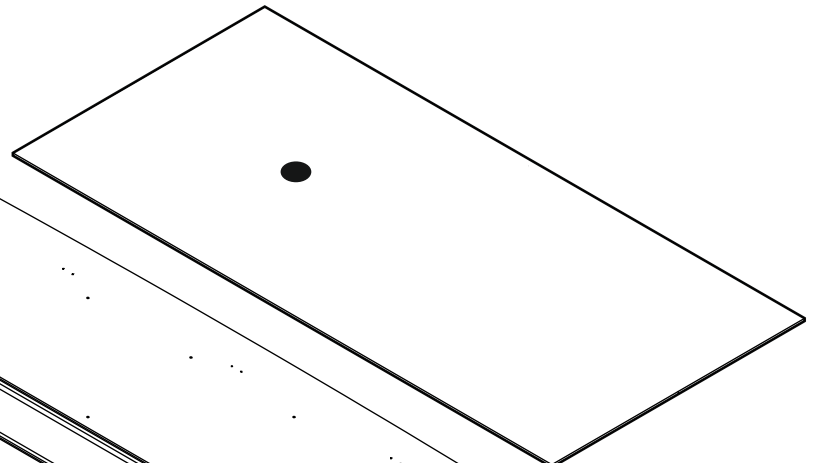
4/2



18.35.1004.002 x 1



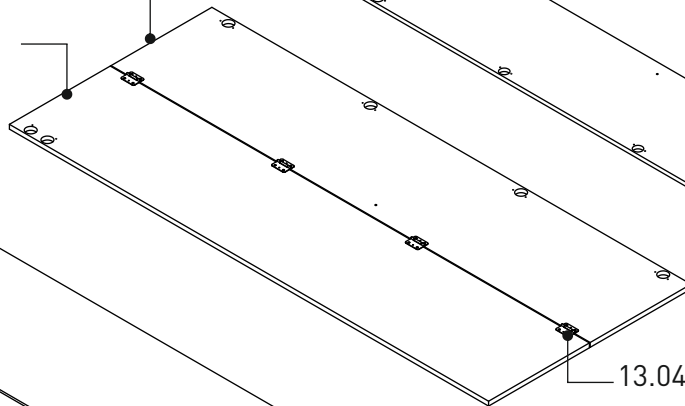
18.35.1004.001 x 1



18.35.1004.006 x 1

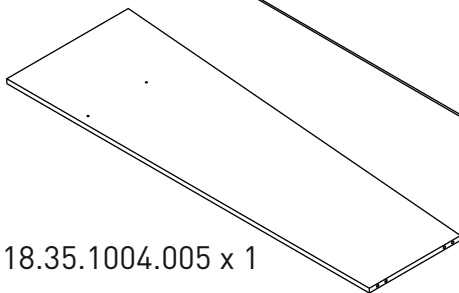
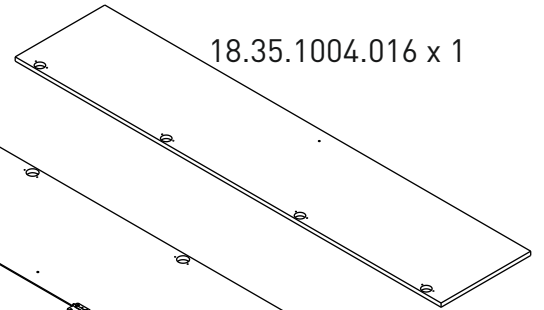
4/3

18.35.1004.018 x 1
18.35.1004.017 x 1

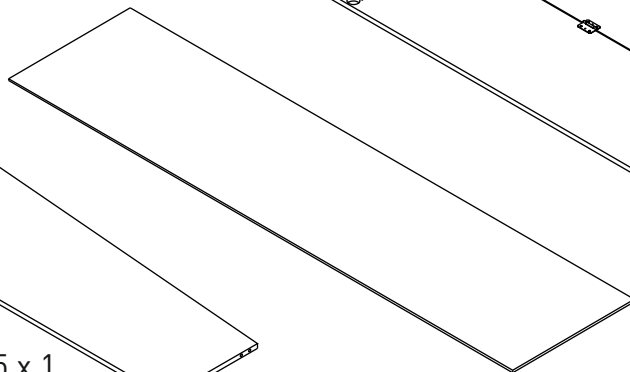


18.35.1004.019 x 1

18.35.1004.016 x 1



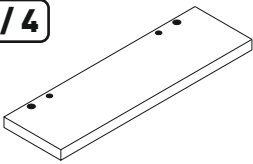
18.35.1004.005 x 1



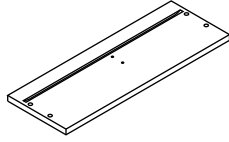
18.35.1004.007 x 1

13.04.01.020

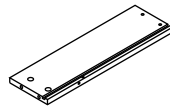
4/4



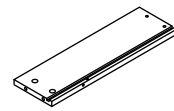
18.35.1004.022x1



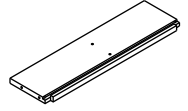
18.35.1004.023x2



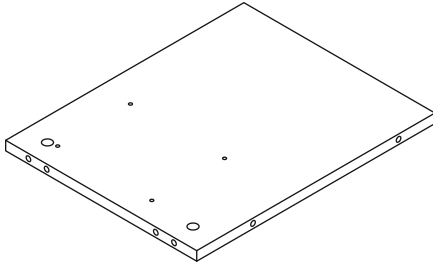
18.35.1004.027x2



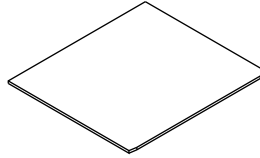
18.35.1004.026x2



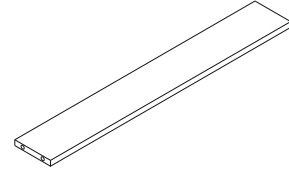
18.35.1004.025x2



18.35.1004.021x1

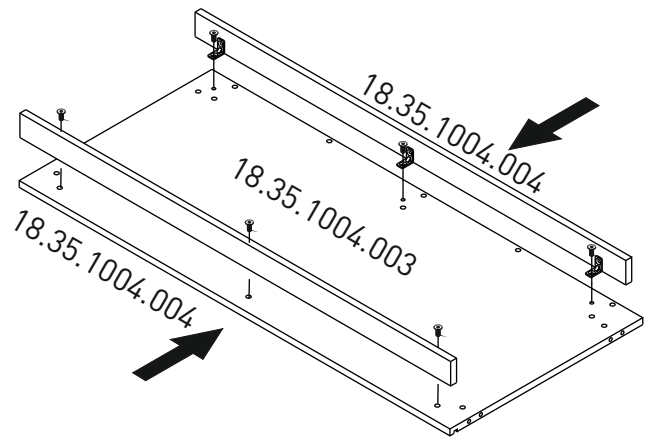
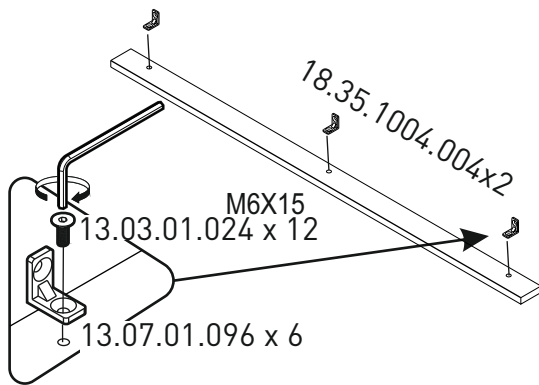


18.35.1004.029x2

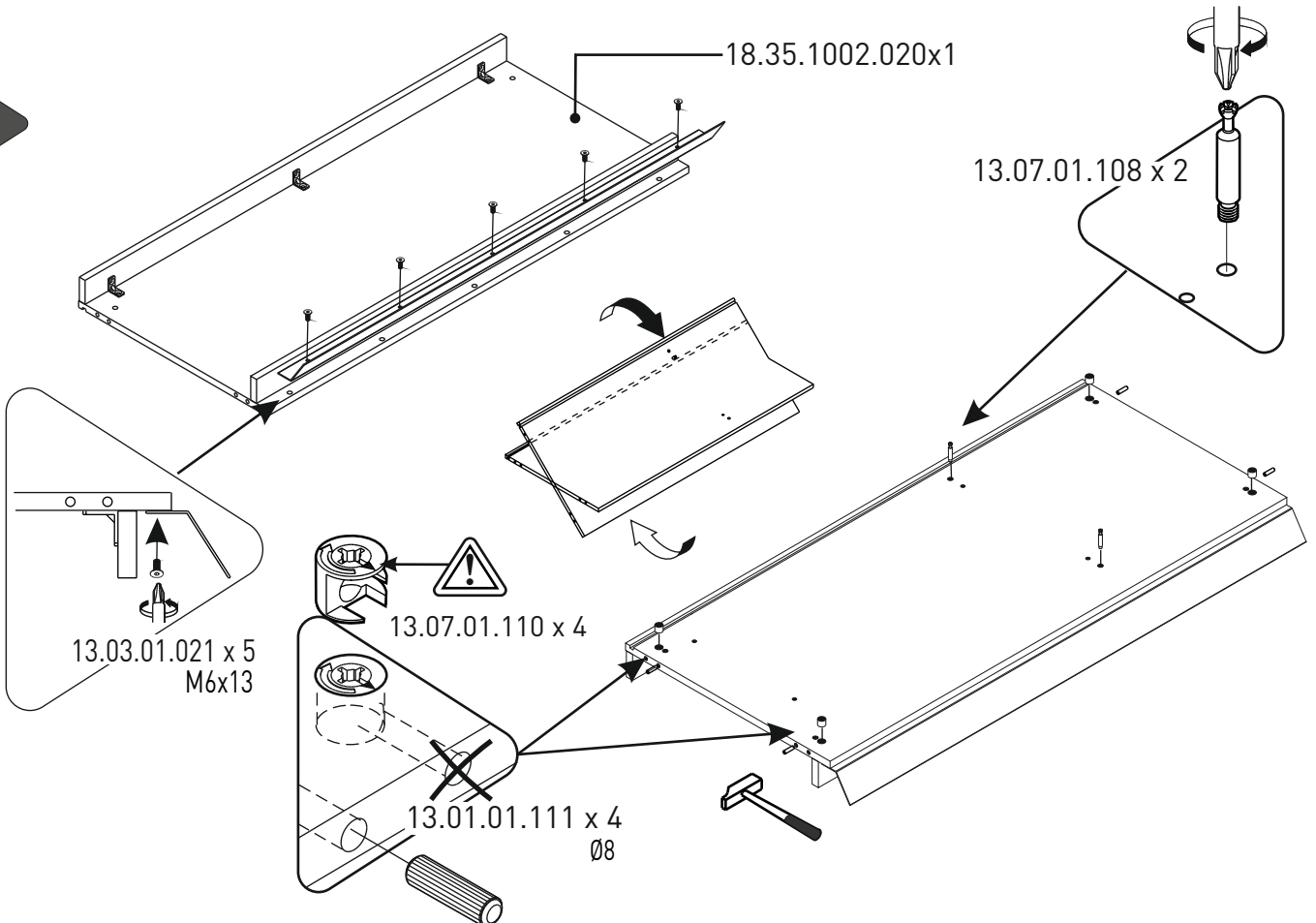


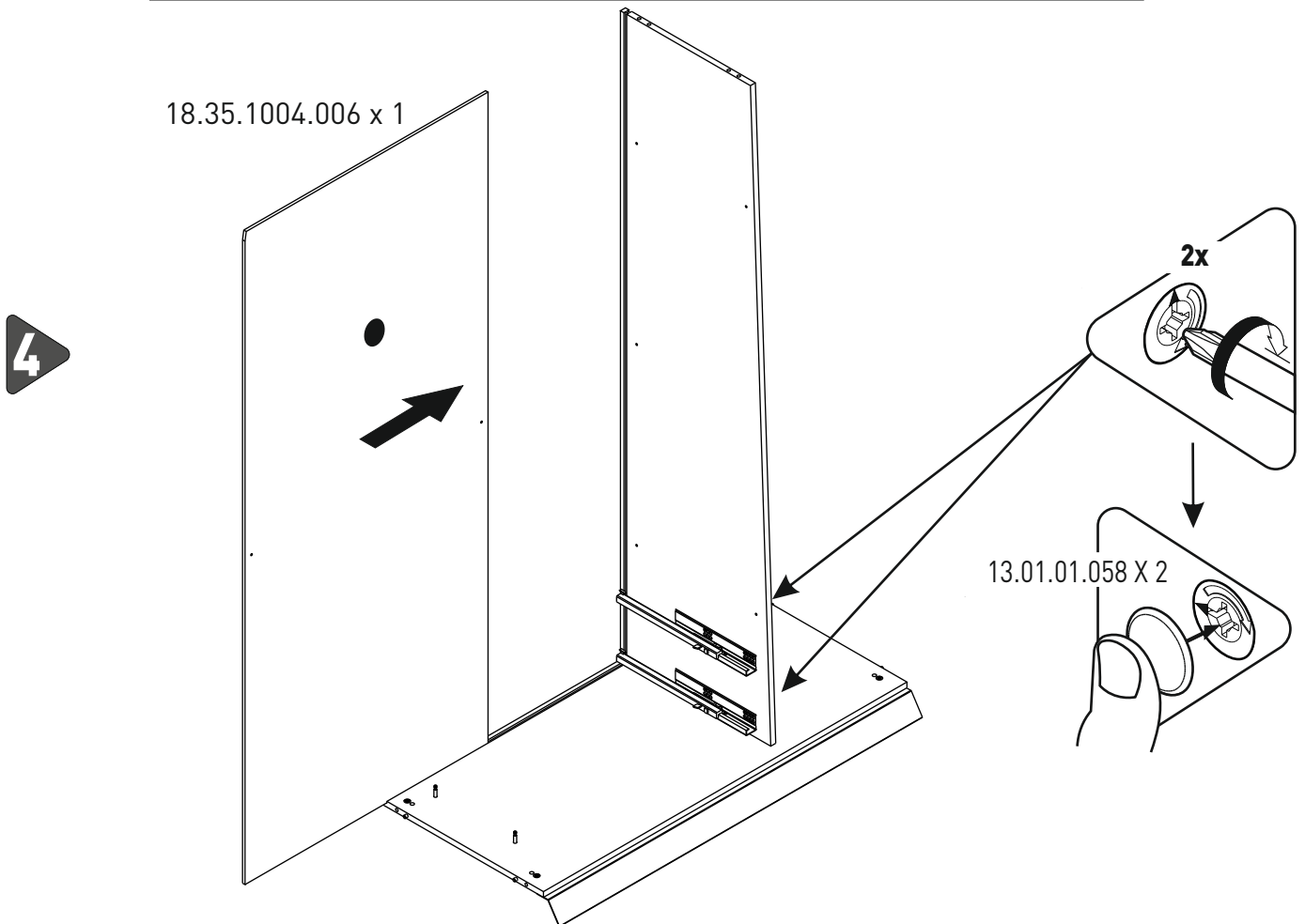
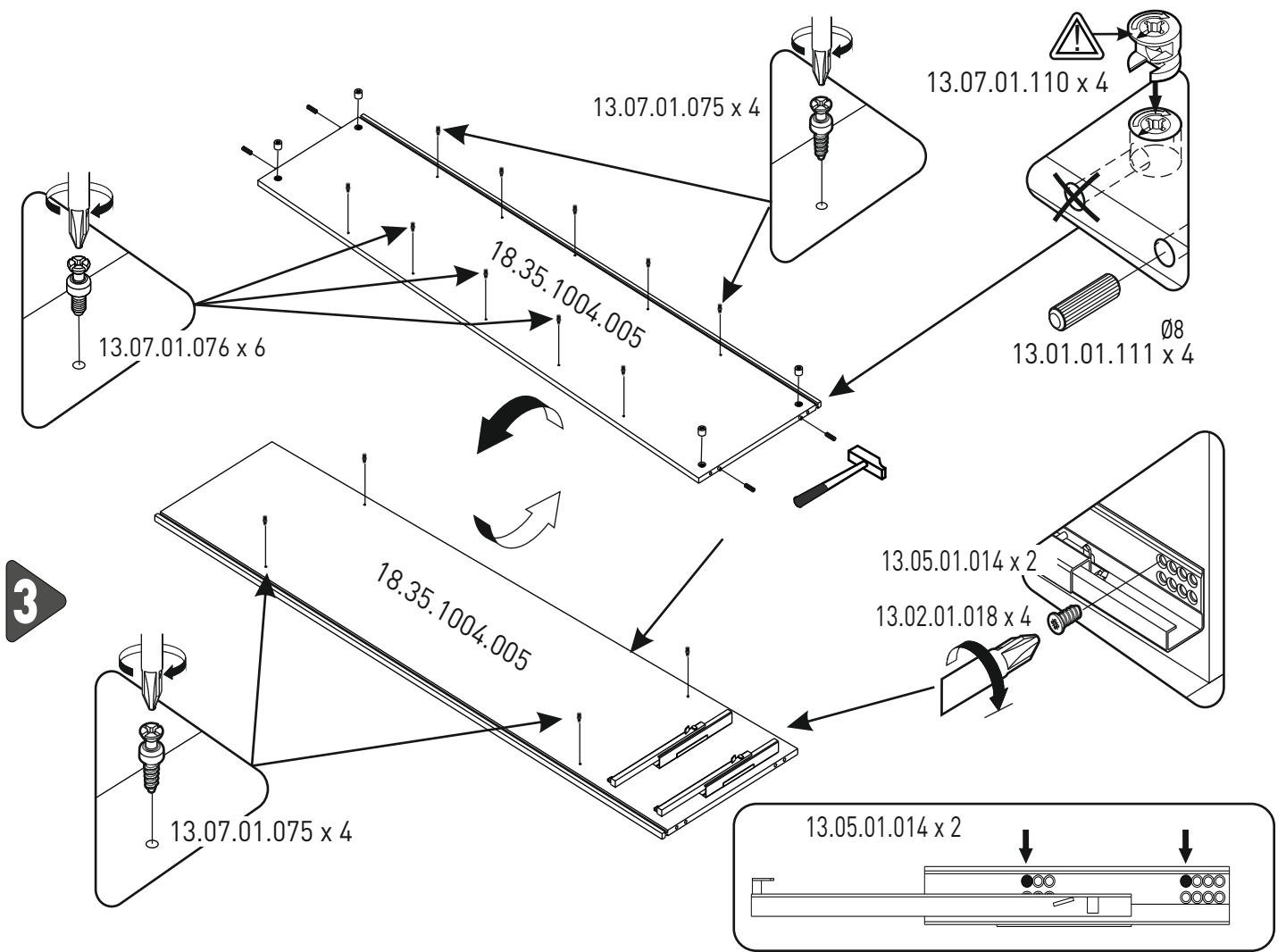
18.35.1004.028x2

1

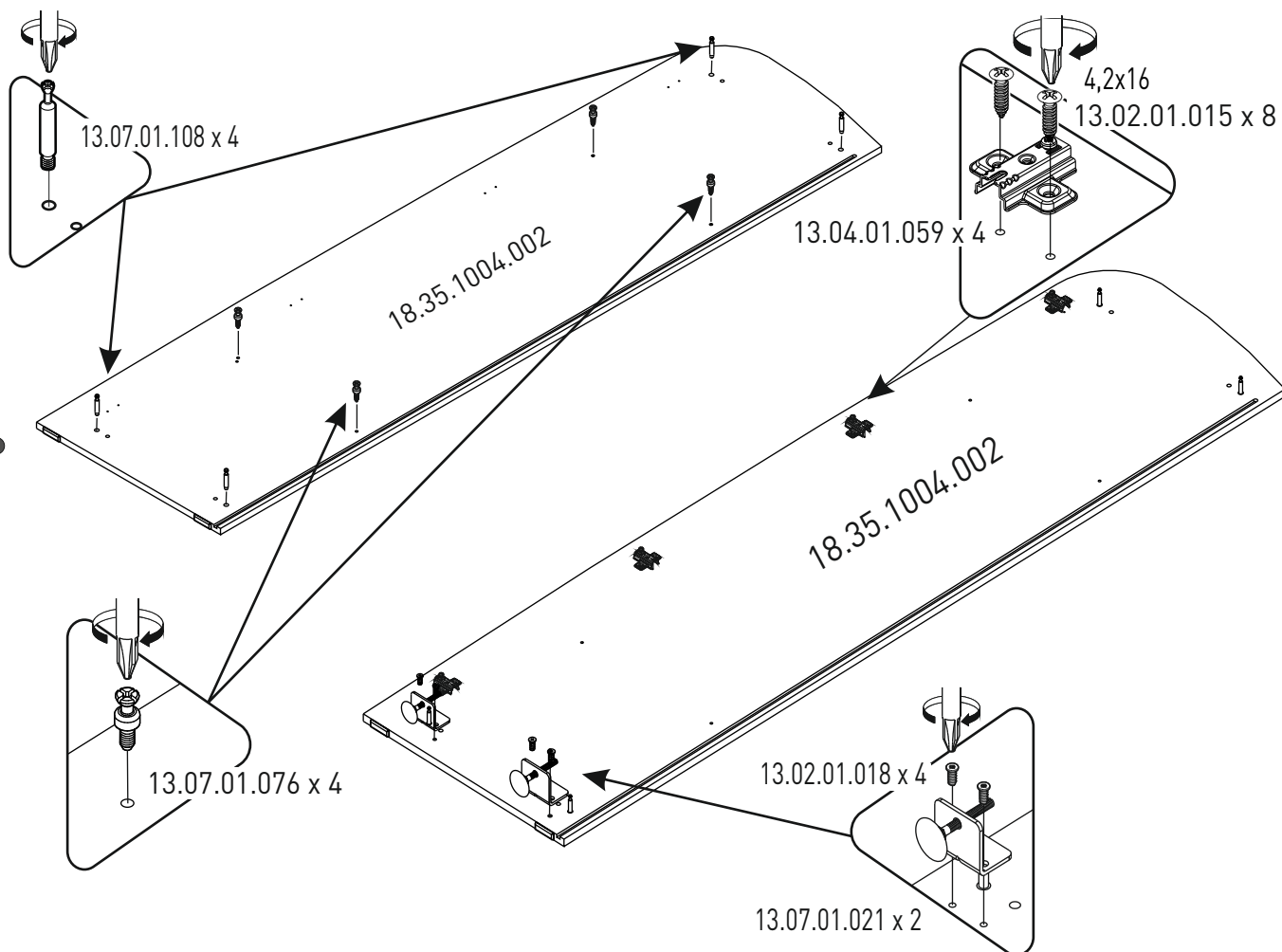


2

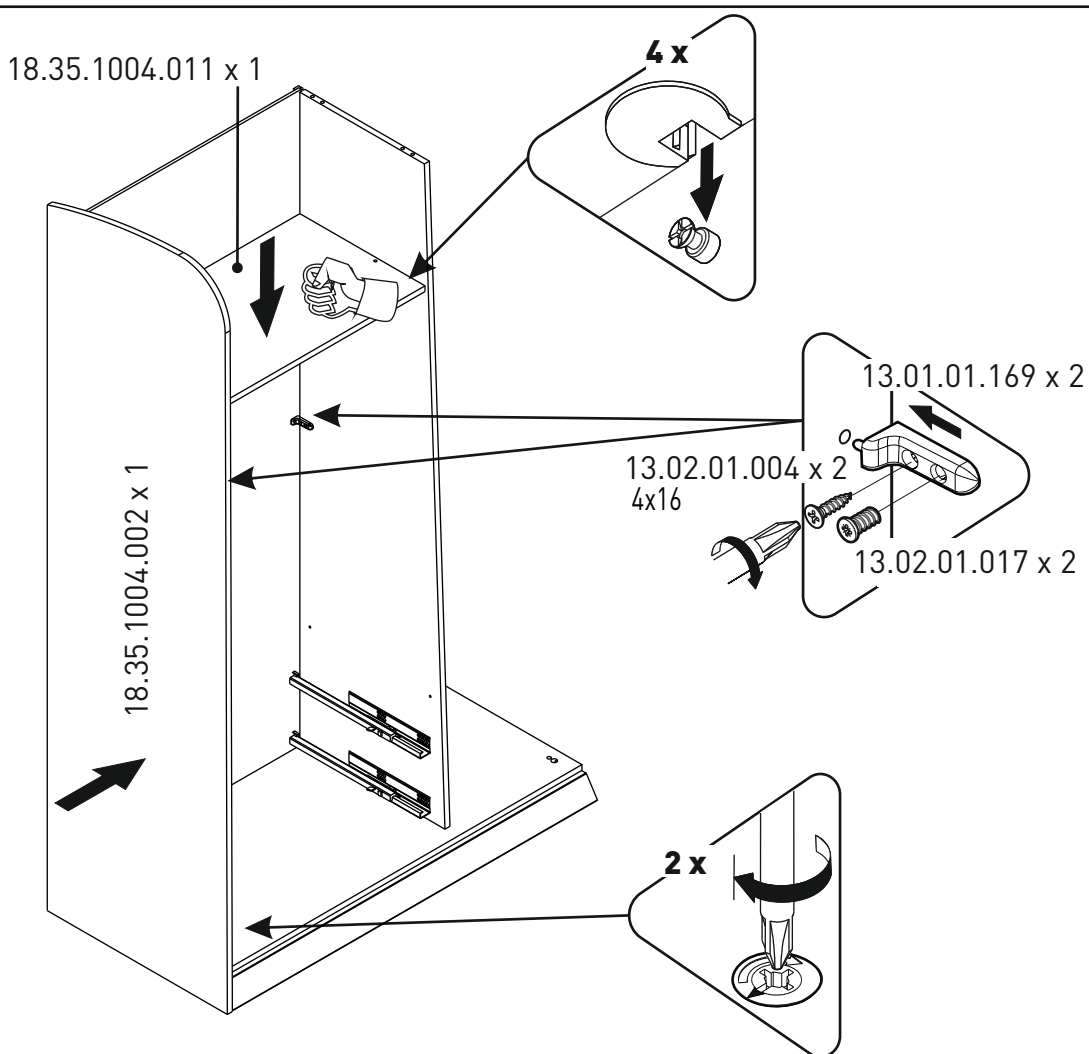


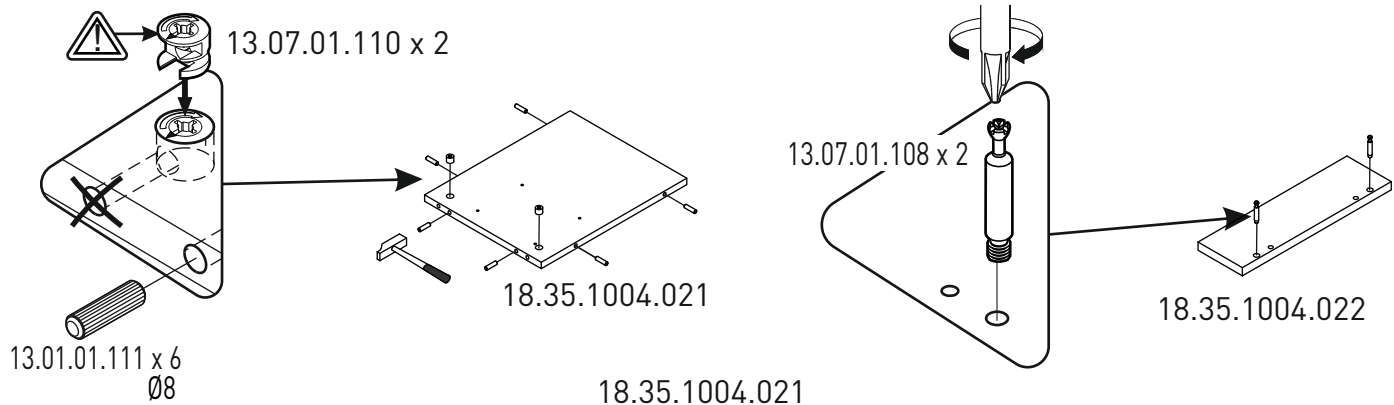


5

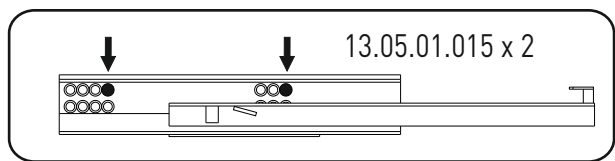
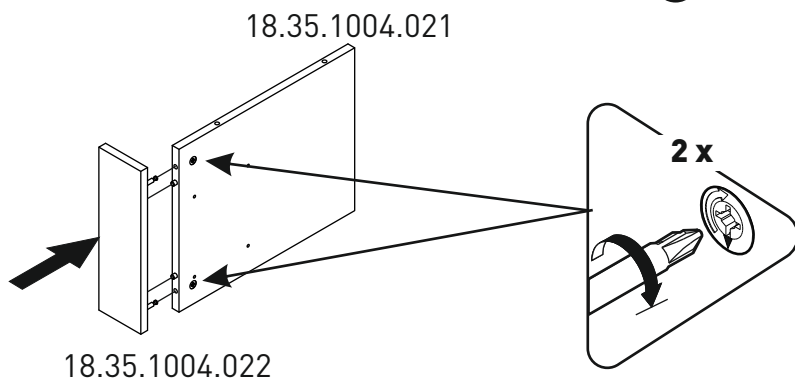


6

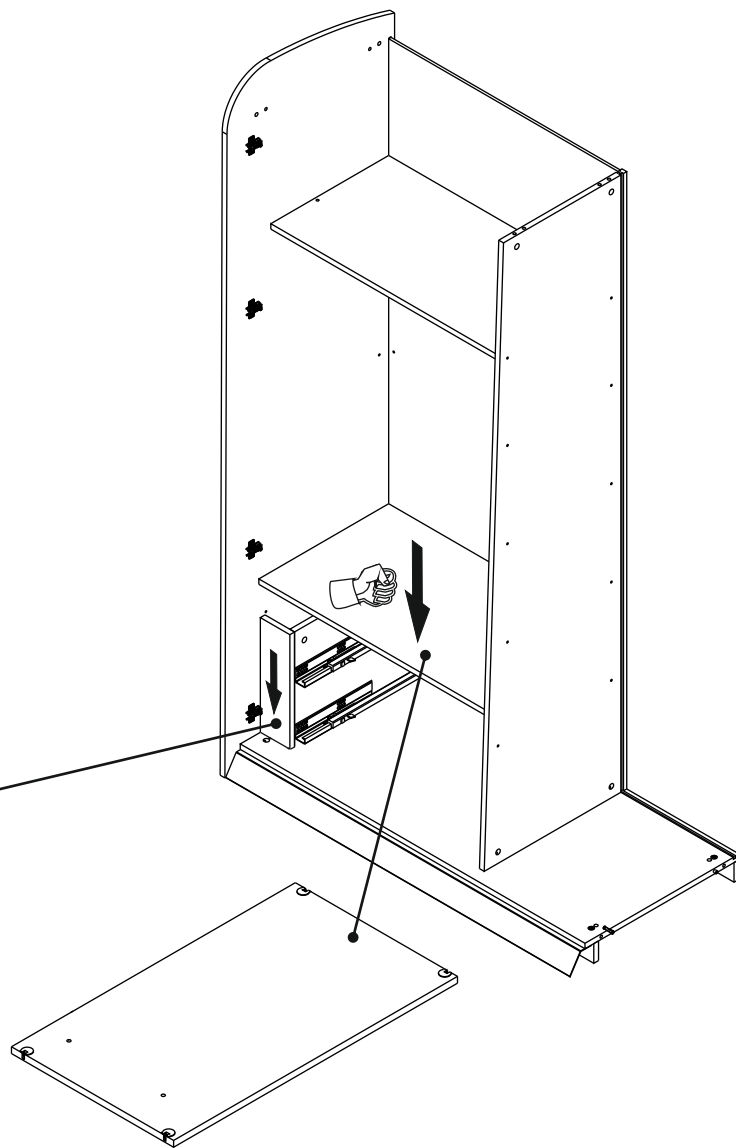
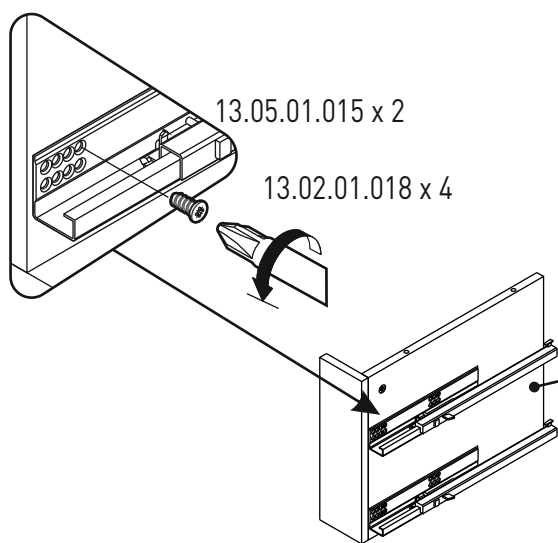




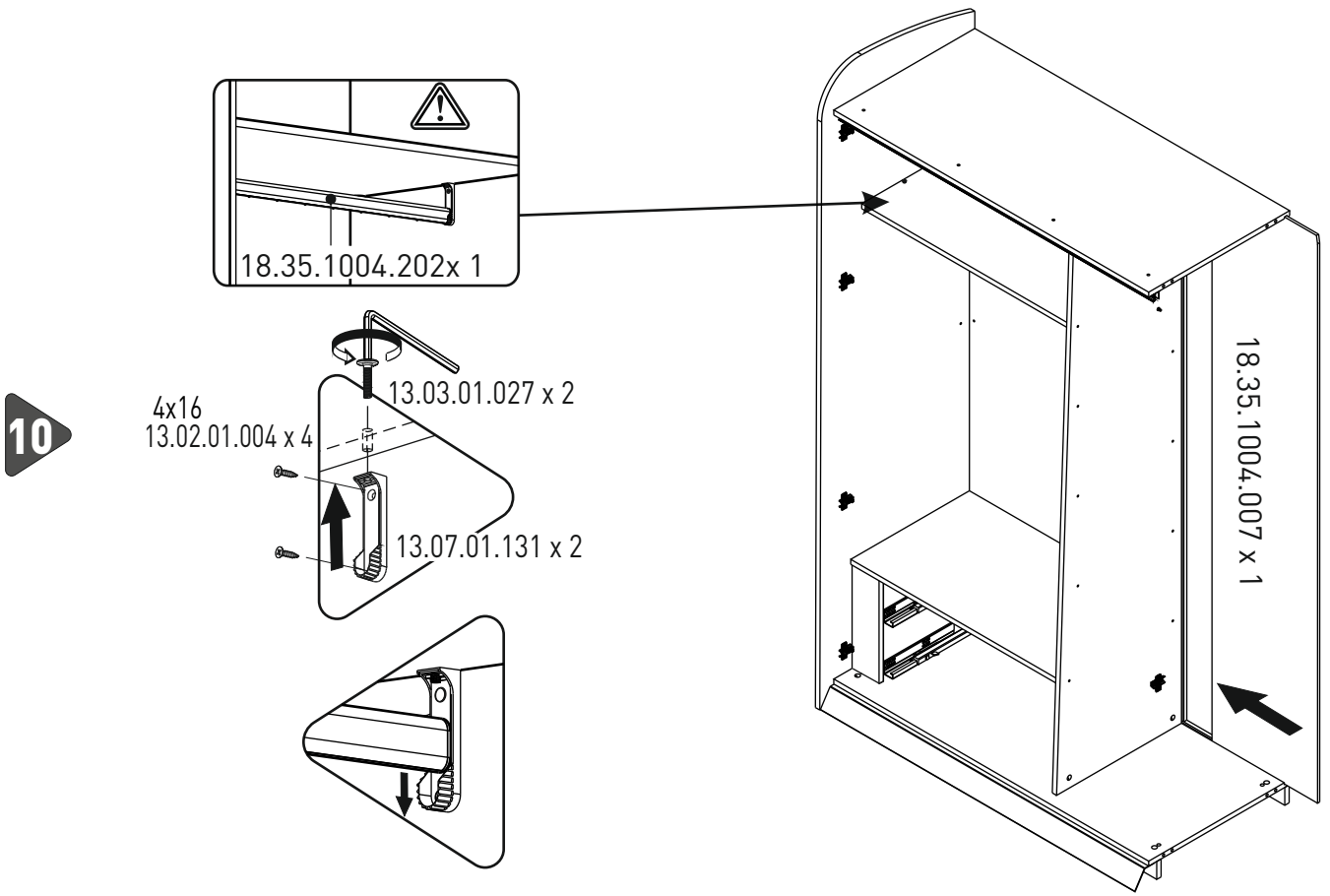
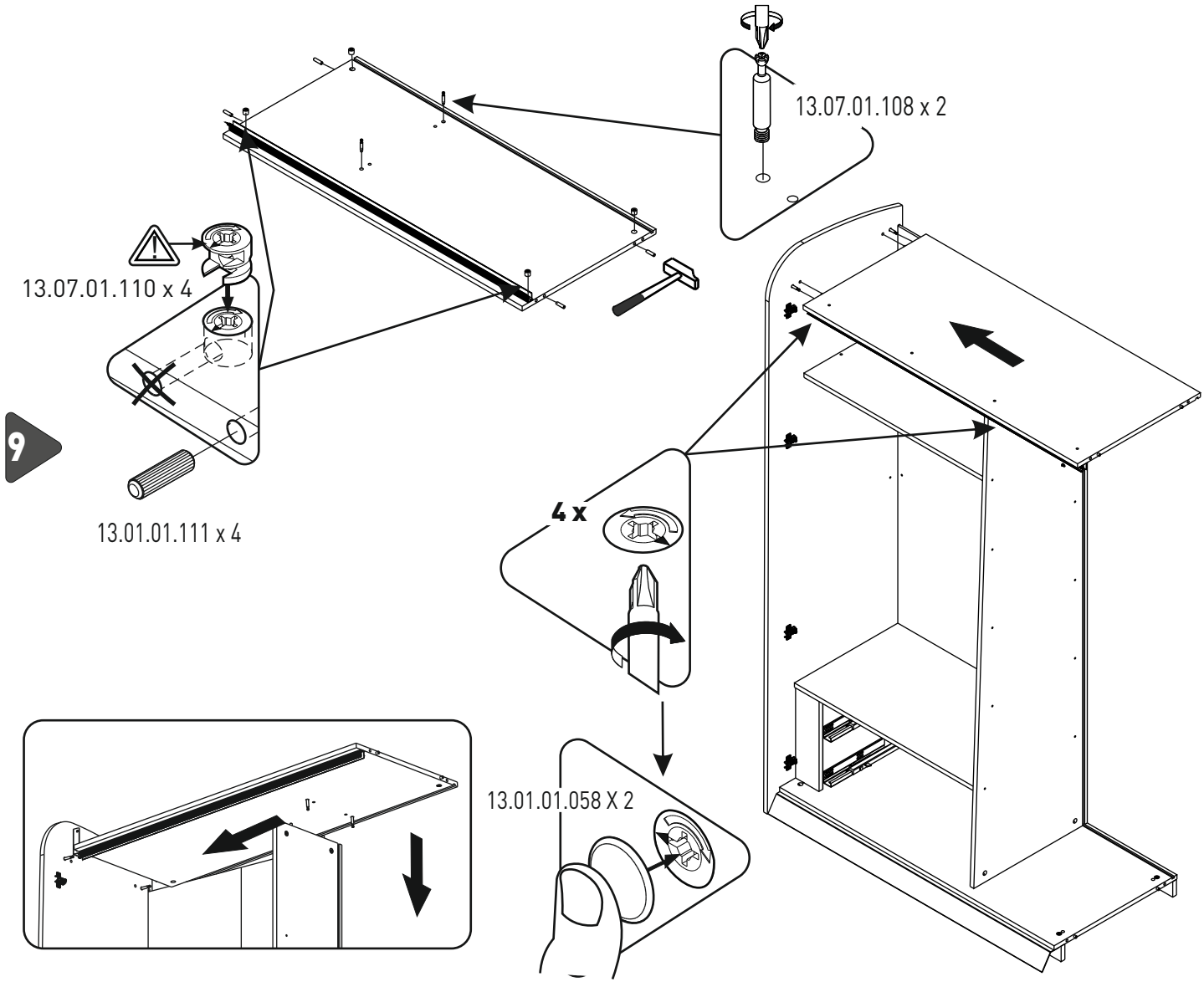
7

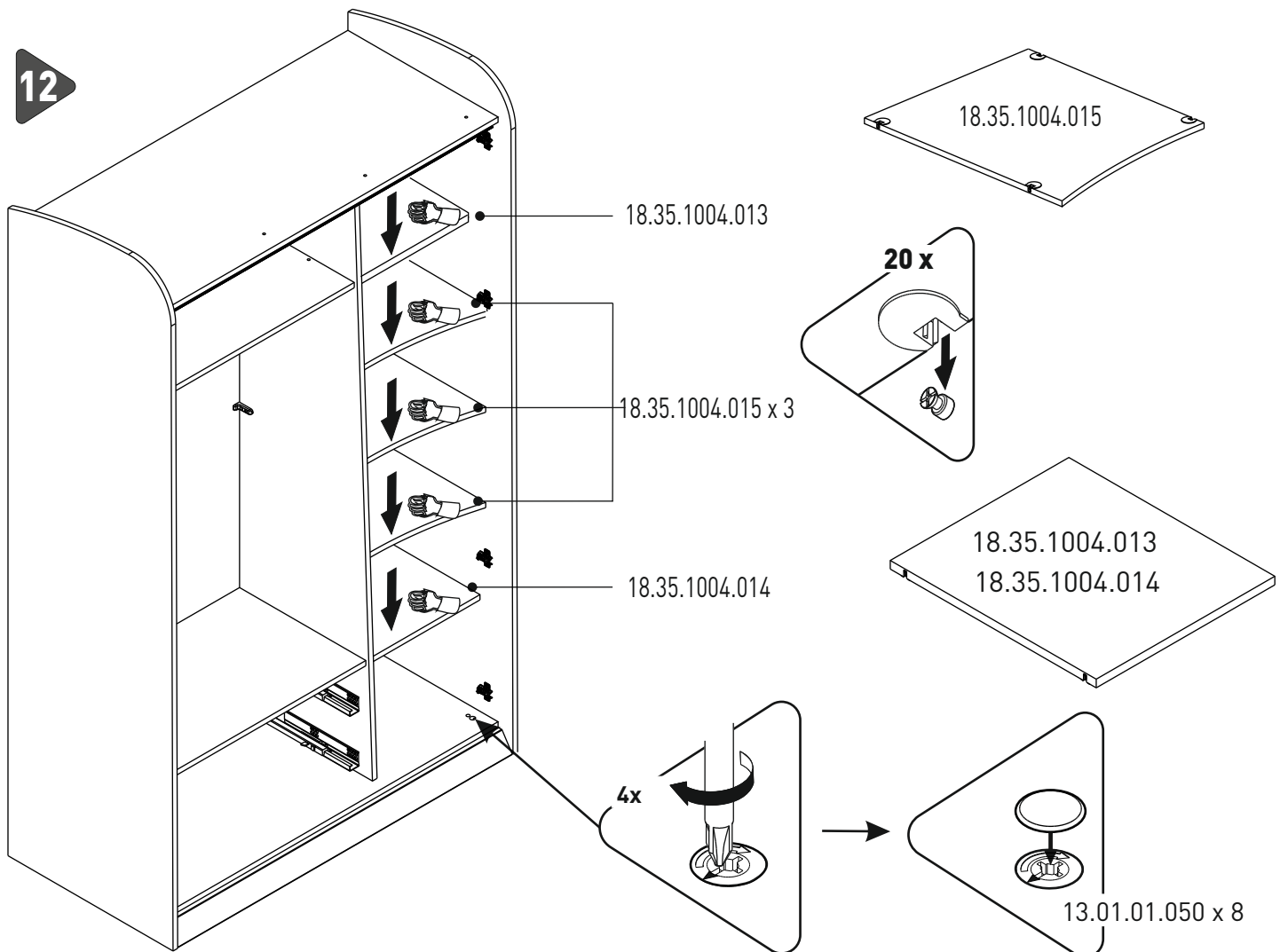
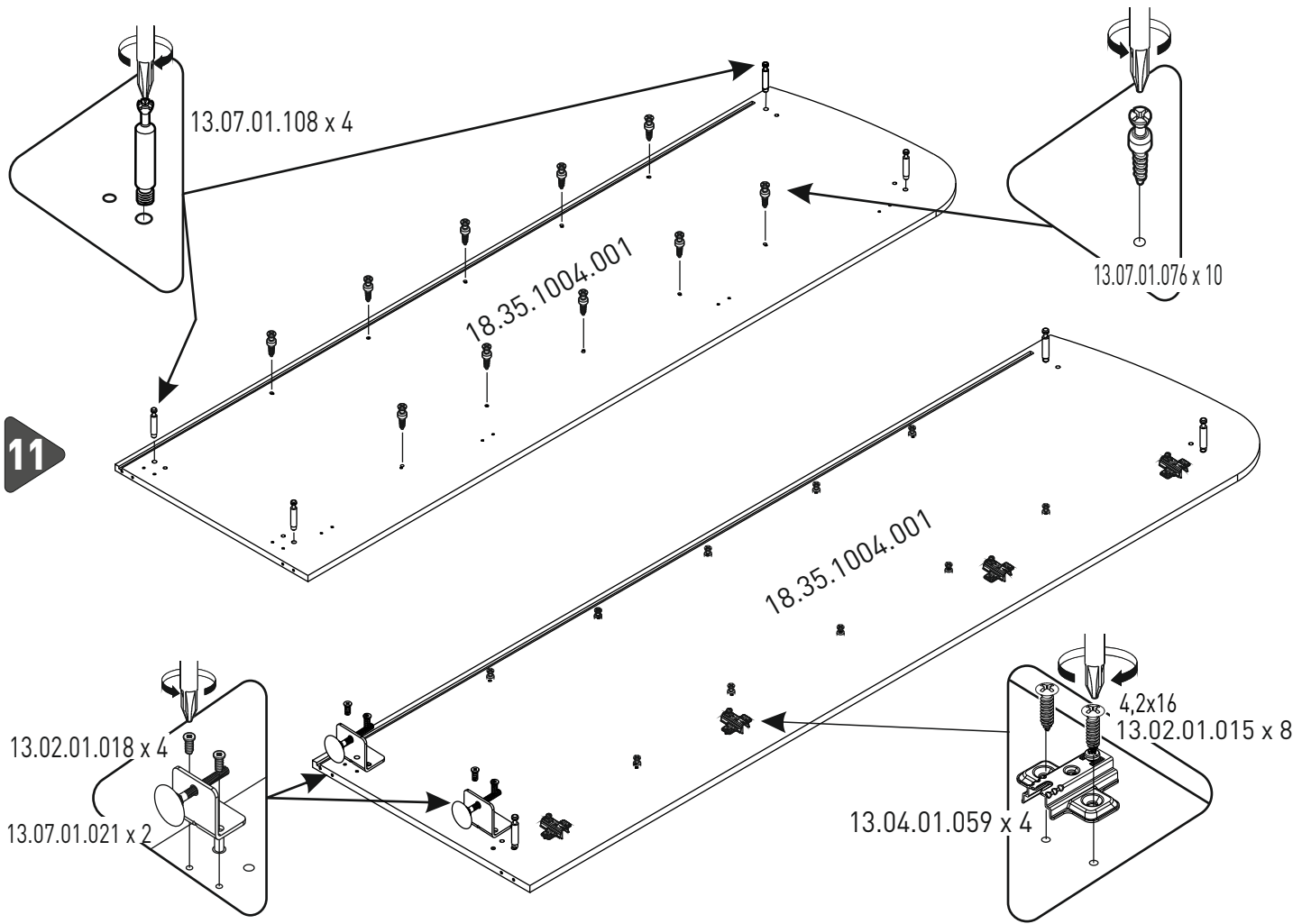


8

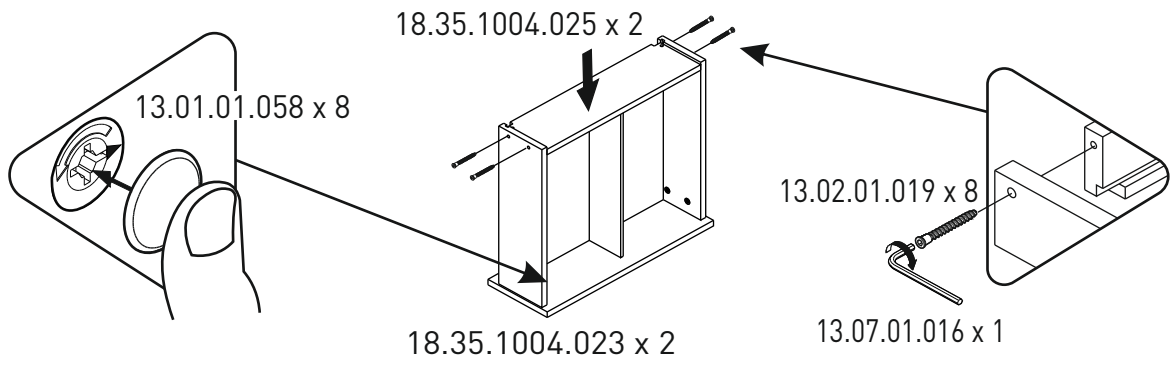


18.35.1004.012

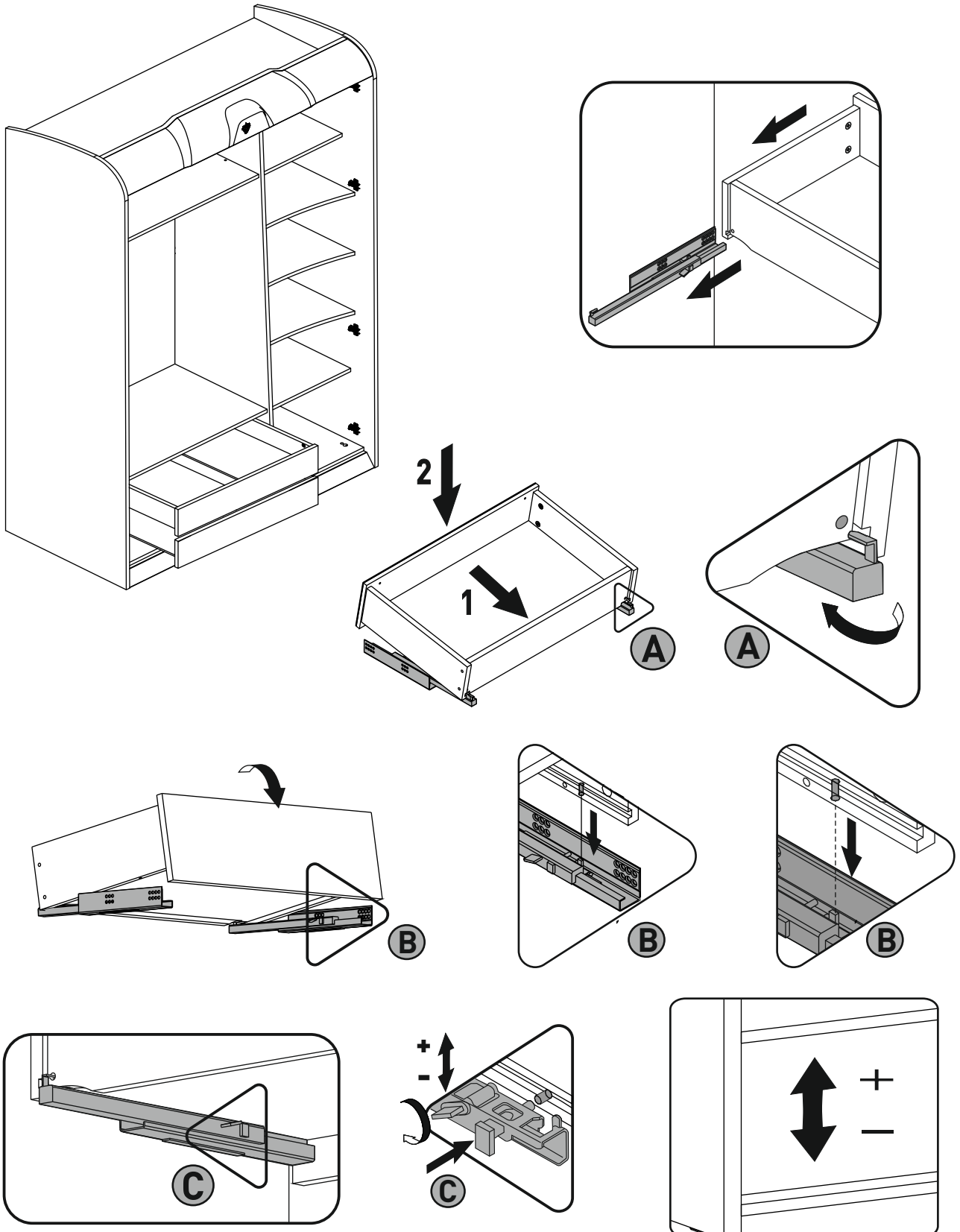


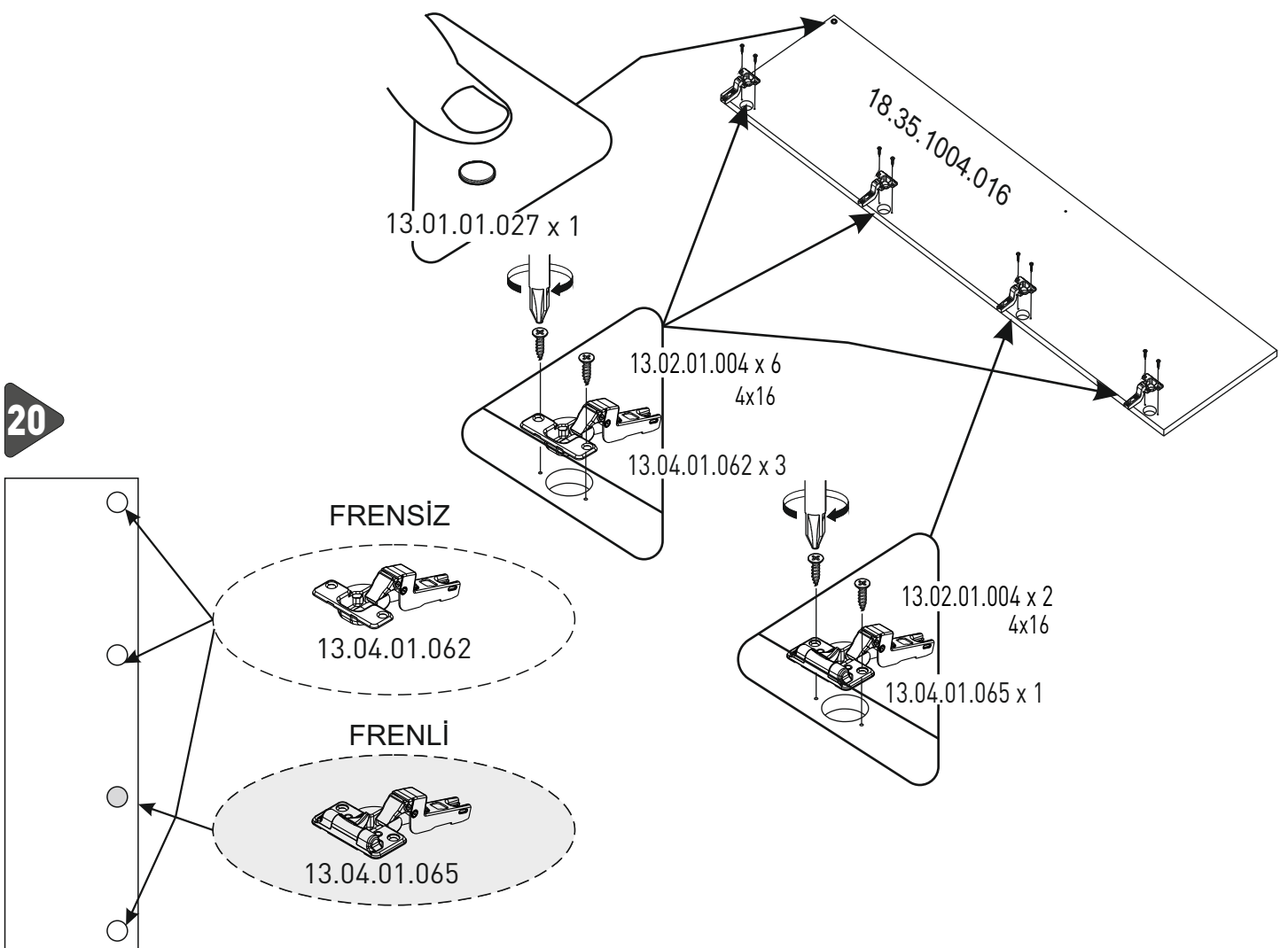
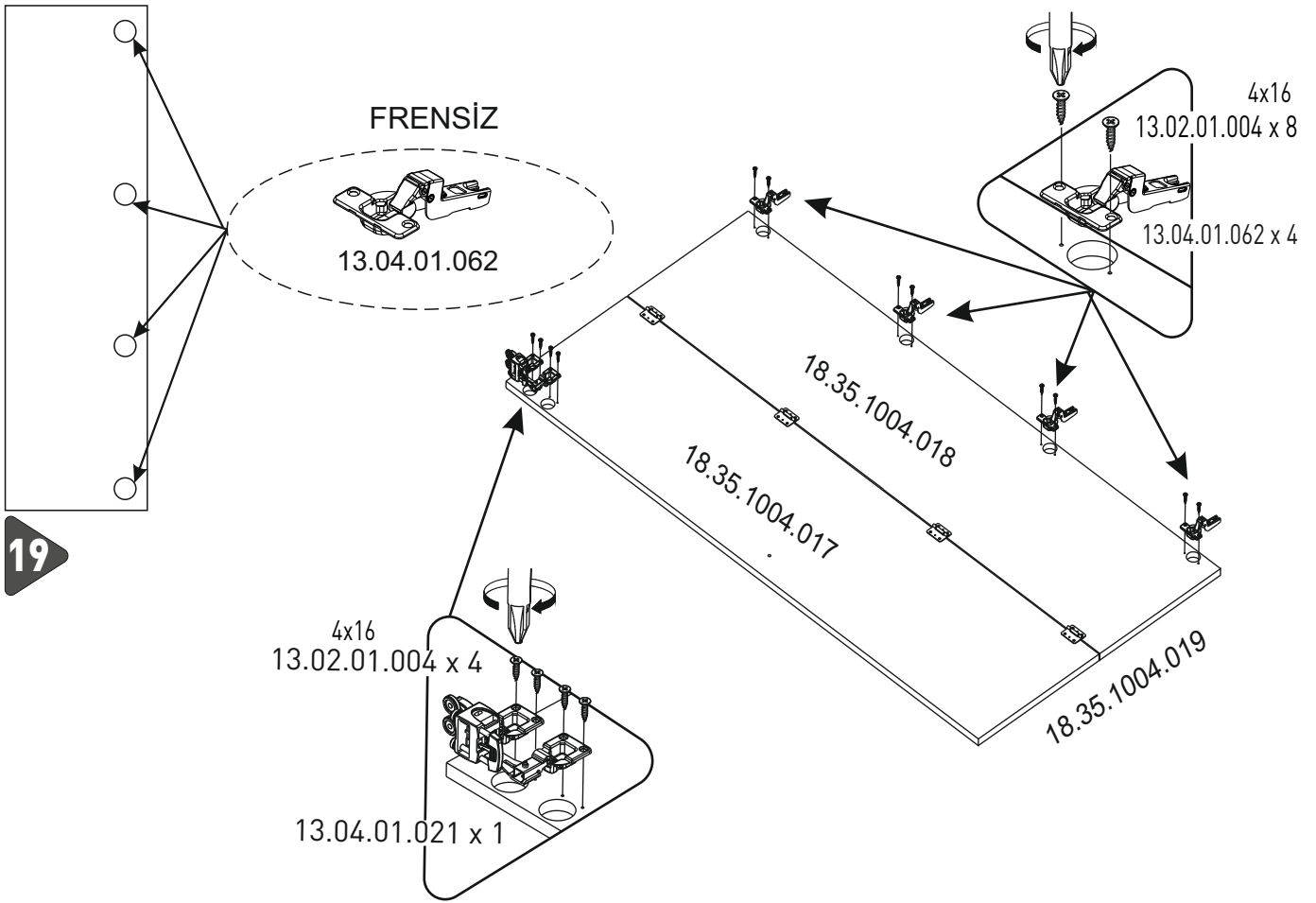


17

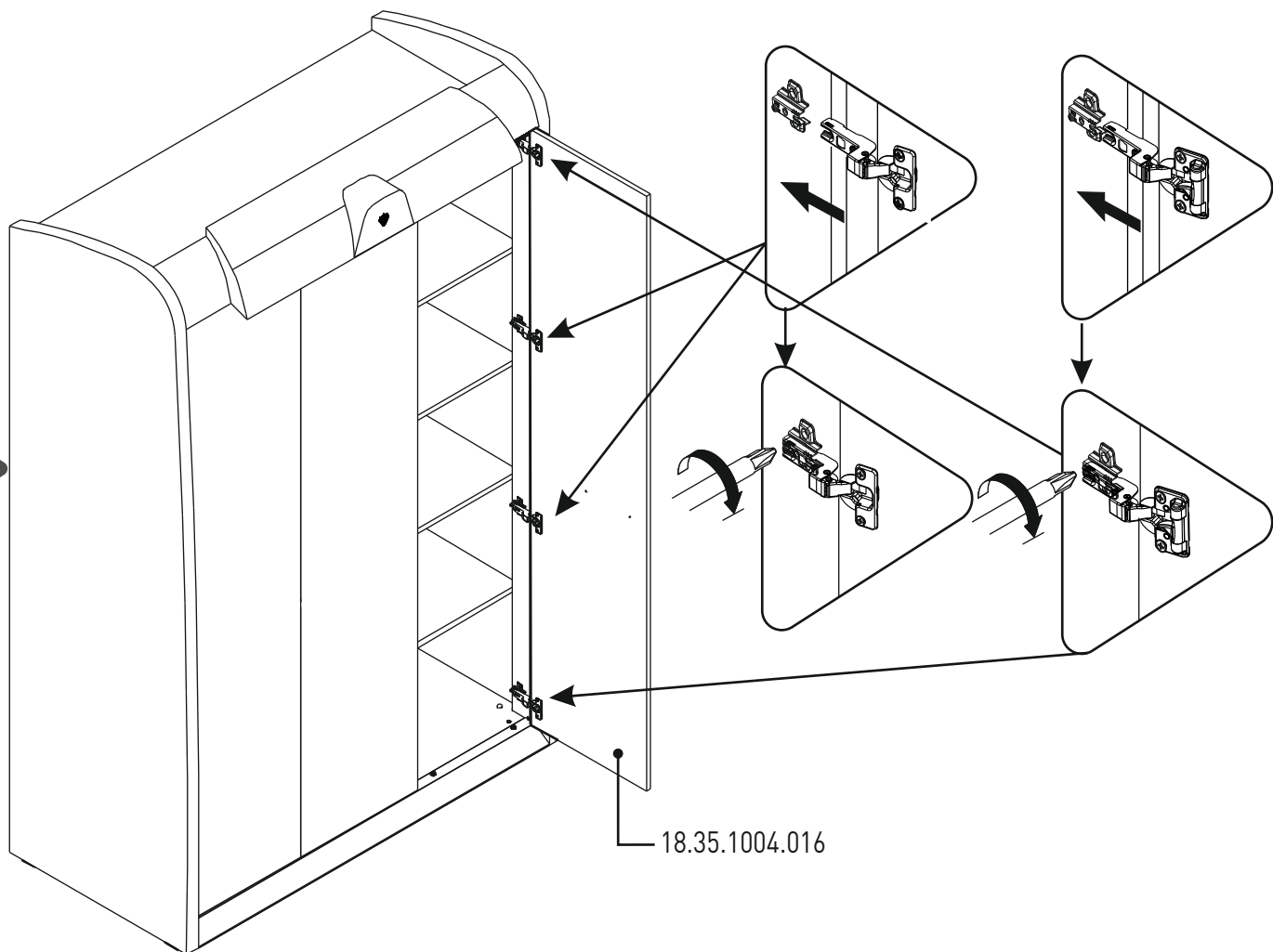


18

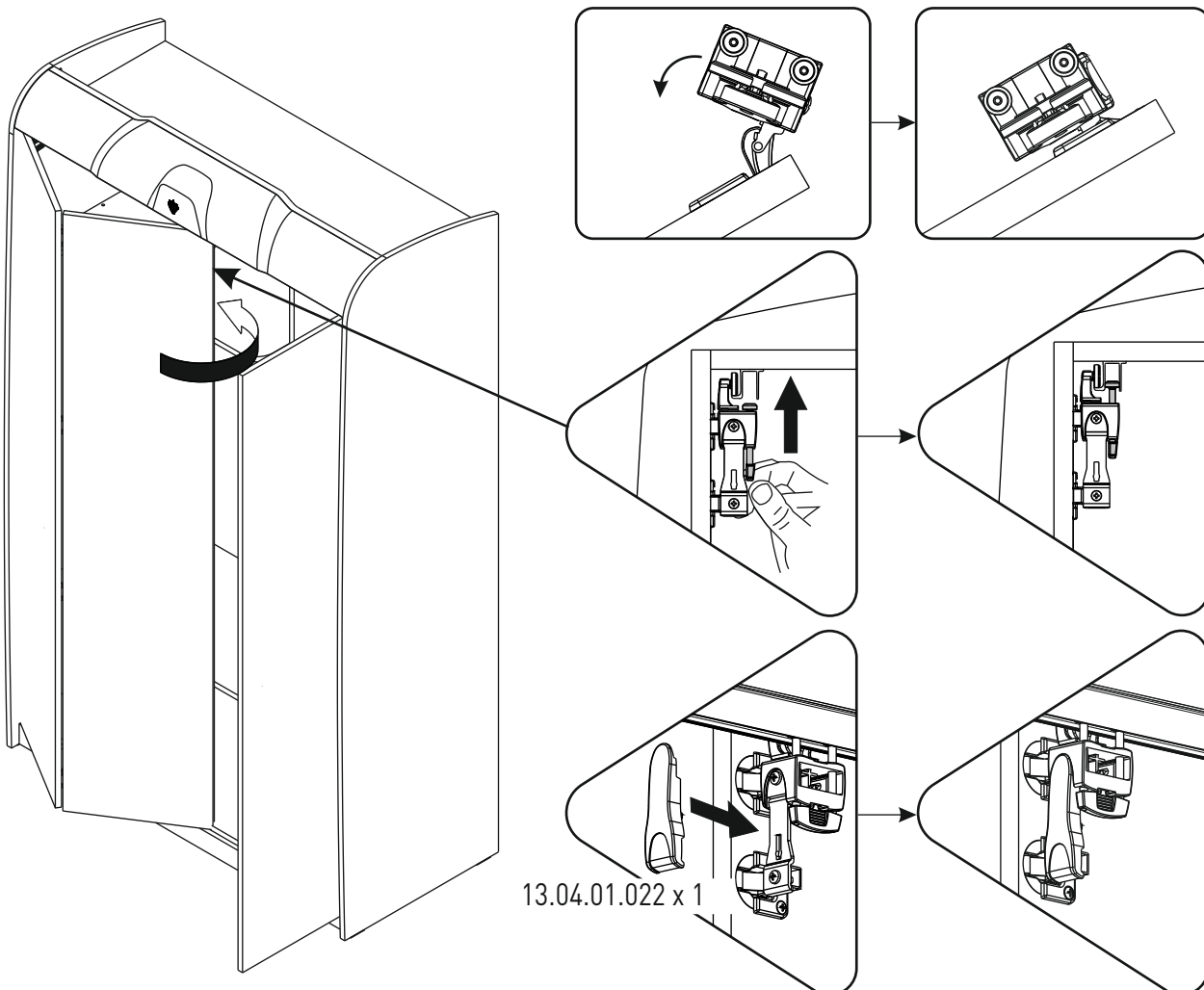




21



22



23

