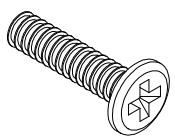
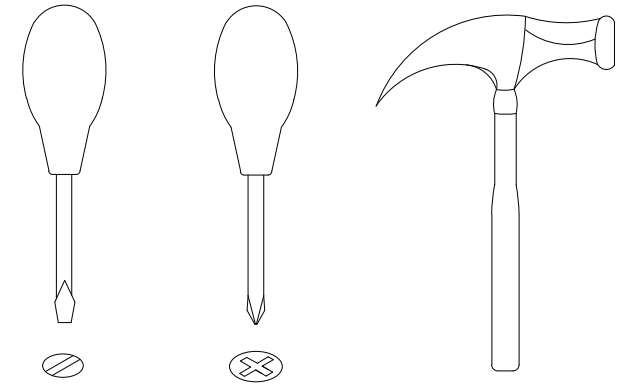
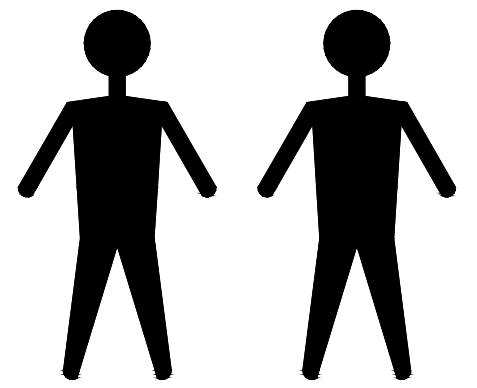


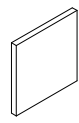
MDI. TV. VC. 13



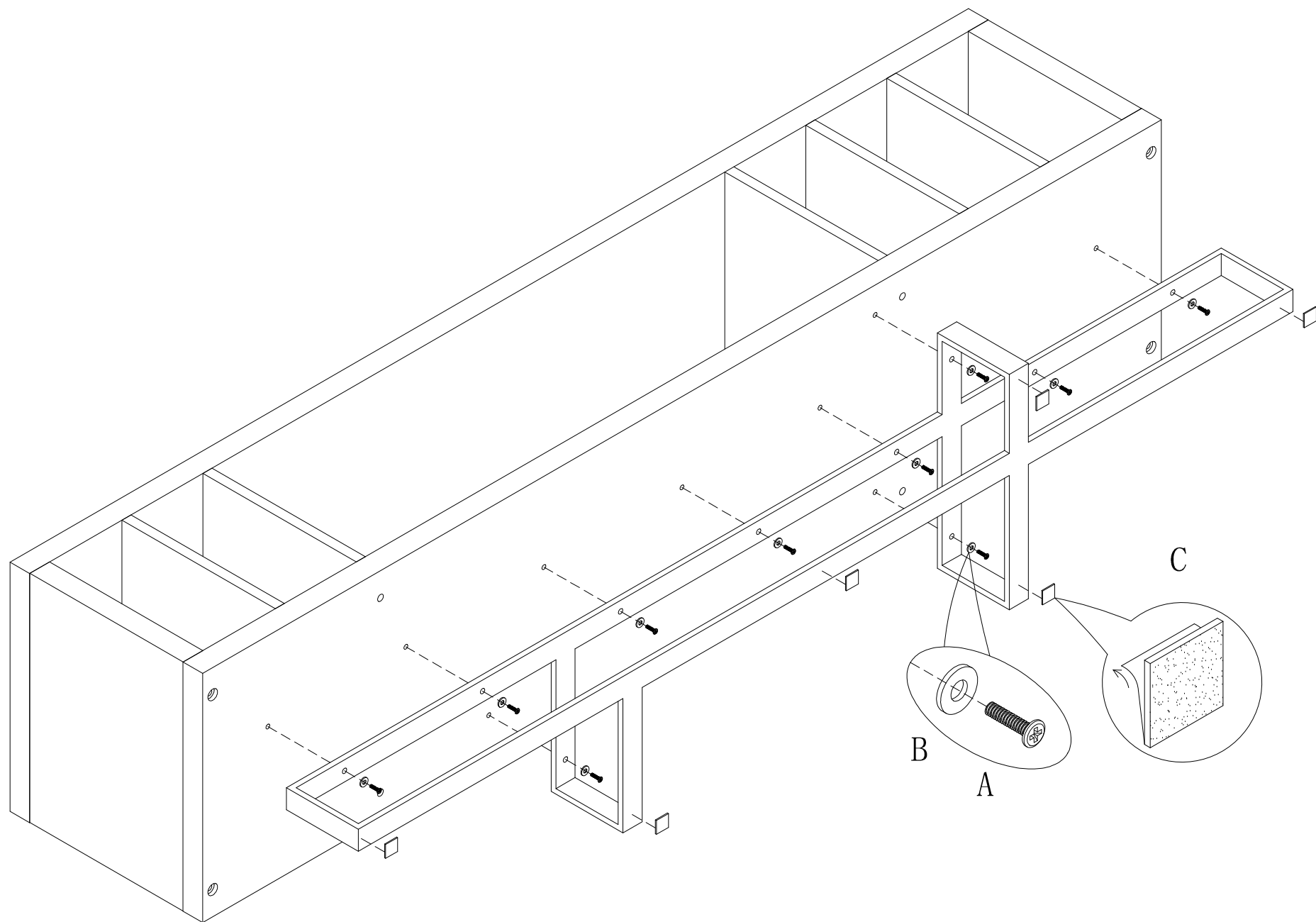
A x10
Spec: M6*25



B x10
Spec: $\phi 8 * \phi 18$



C x6
Spec: 38*38mm



1