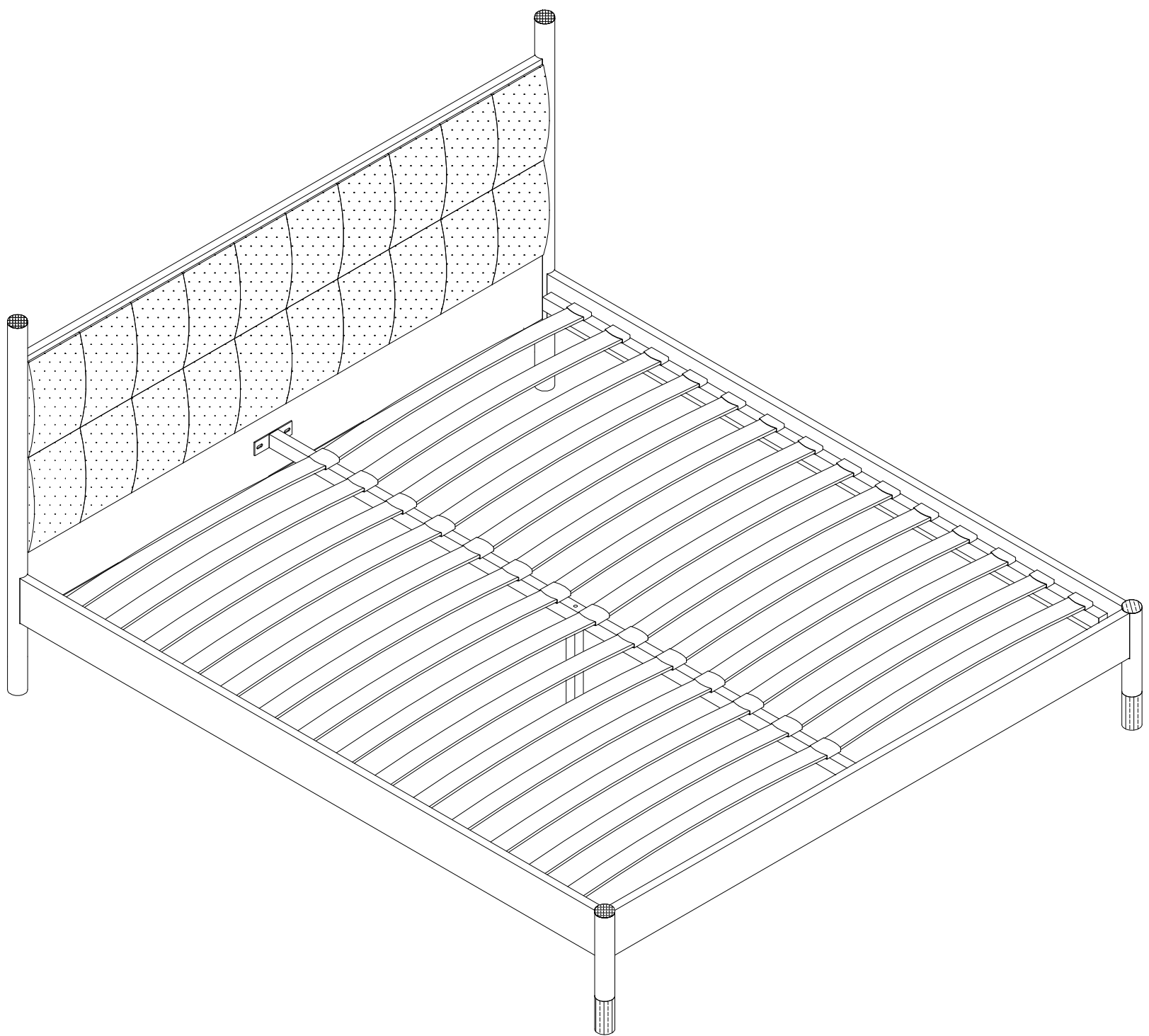
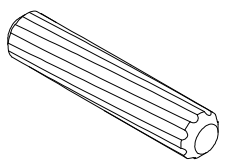
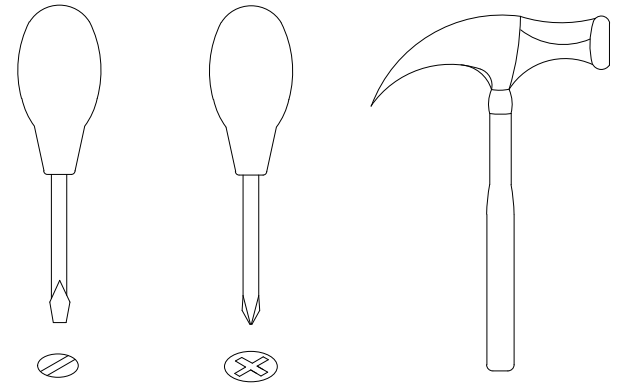
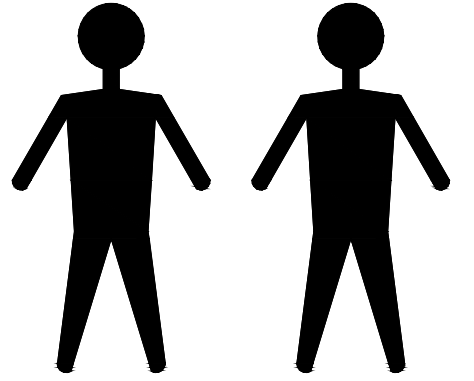


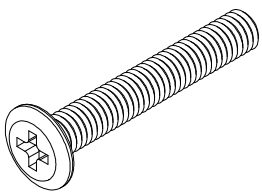
MDI. BD. BS. 2



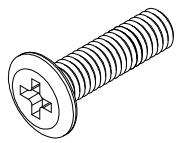
MDI. BD. BS. 2



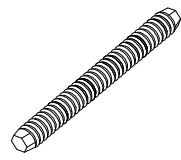
A x4
Spec: $\phi 10 \times 40$



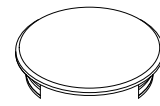
B x8
Spec: M6*45



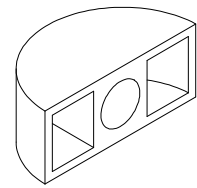
C x4
Spec: M6*20



D x8
Spec: M8*L95



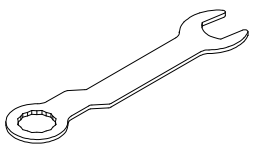
E x8
Spec: $\phi 38$



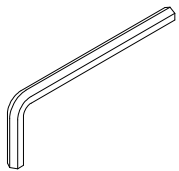
F x8
Spec:



G x8
Spec: M8



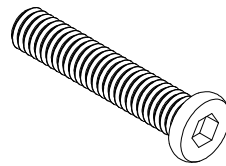
H x1
Spec: 14#



I x1
Spec: 5#



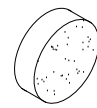
J x13
Spec: $\phi 8 \times \phi 18$



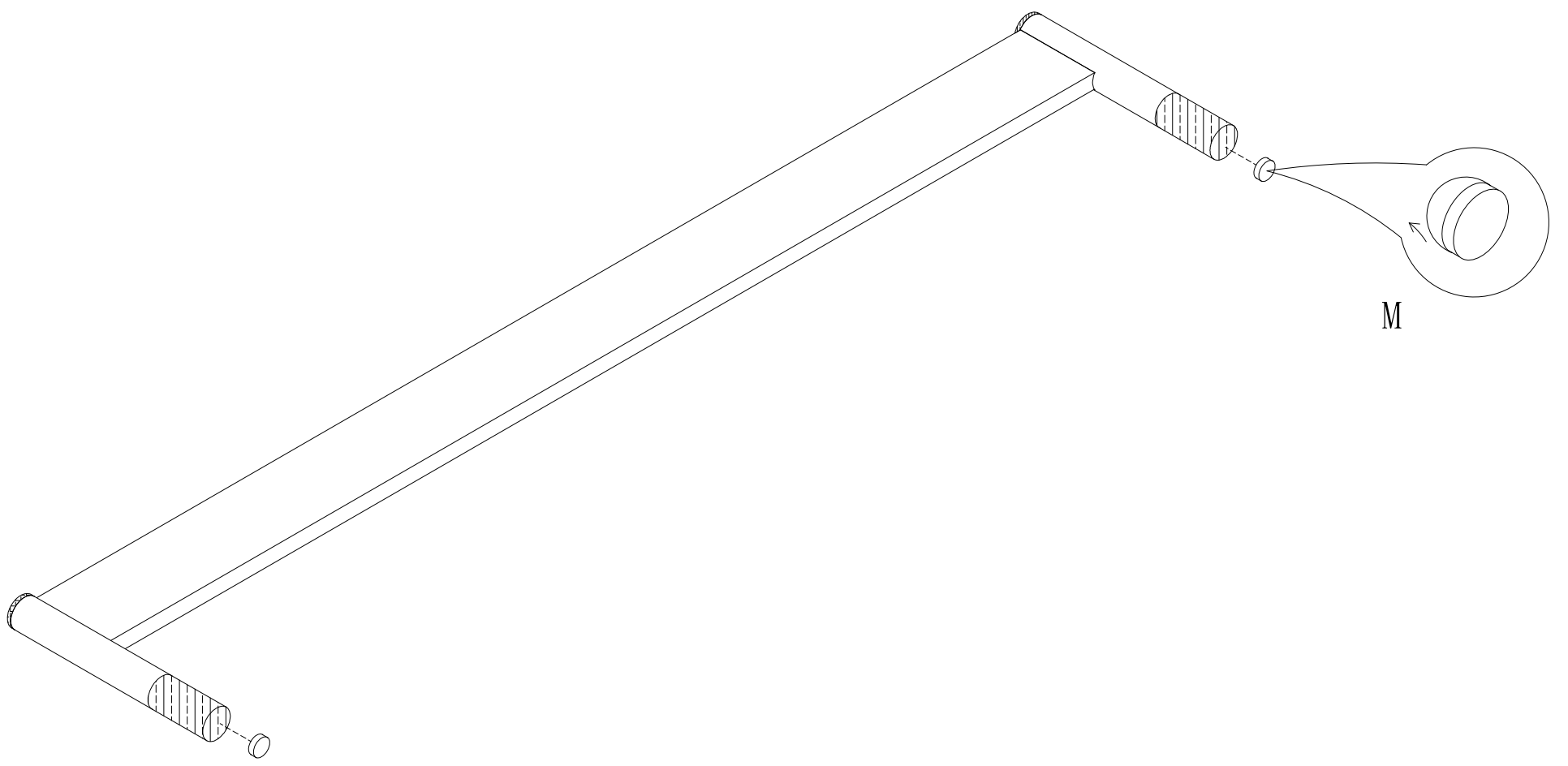
K x1
Spec: 5/16*L60



L x1
Spec: L260

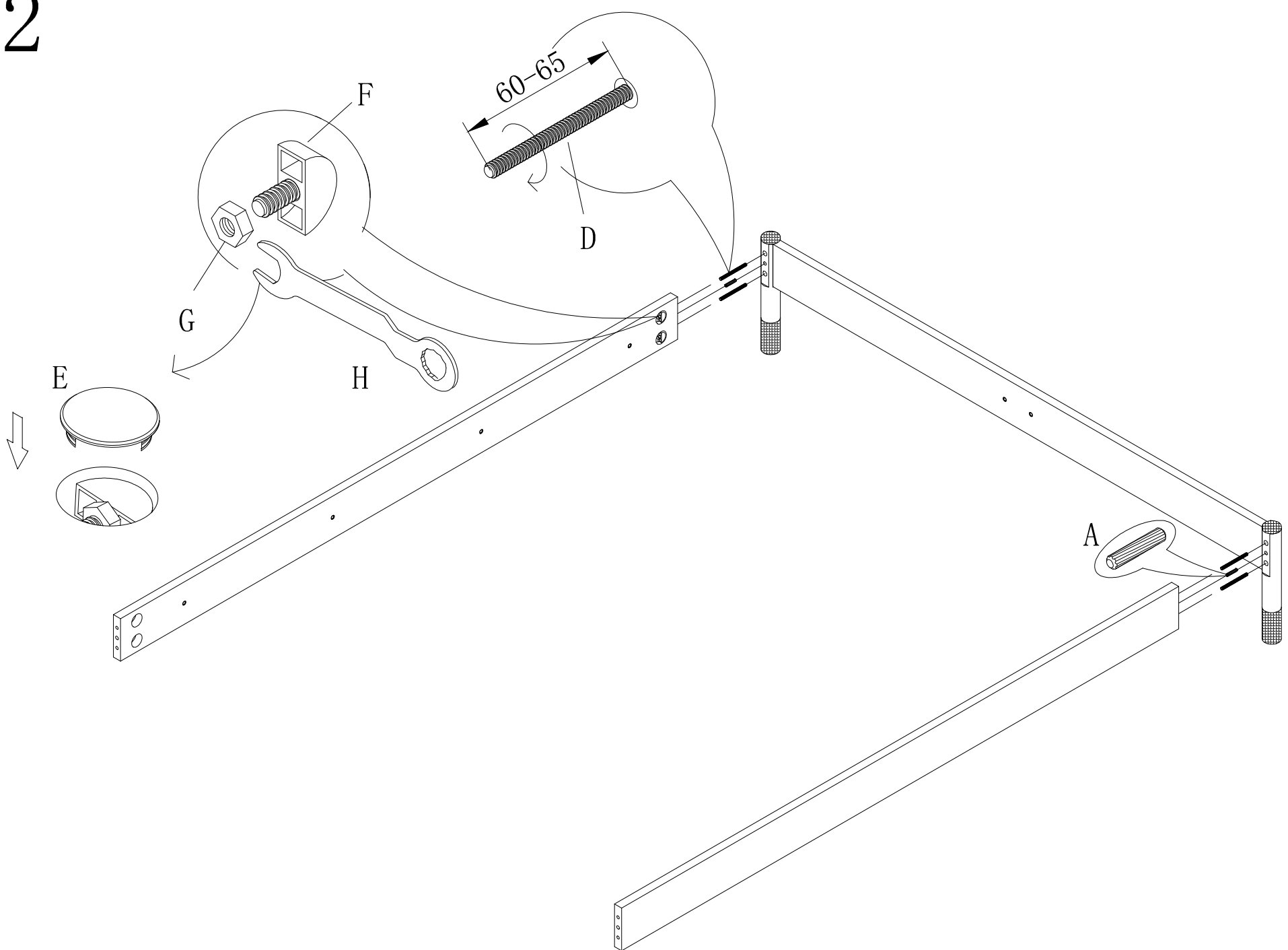


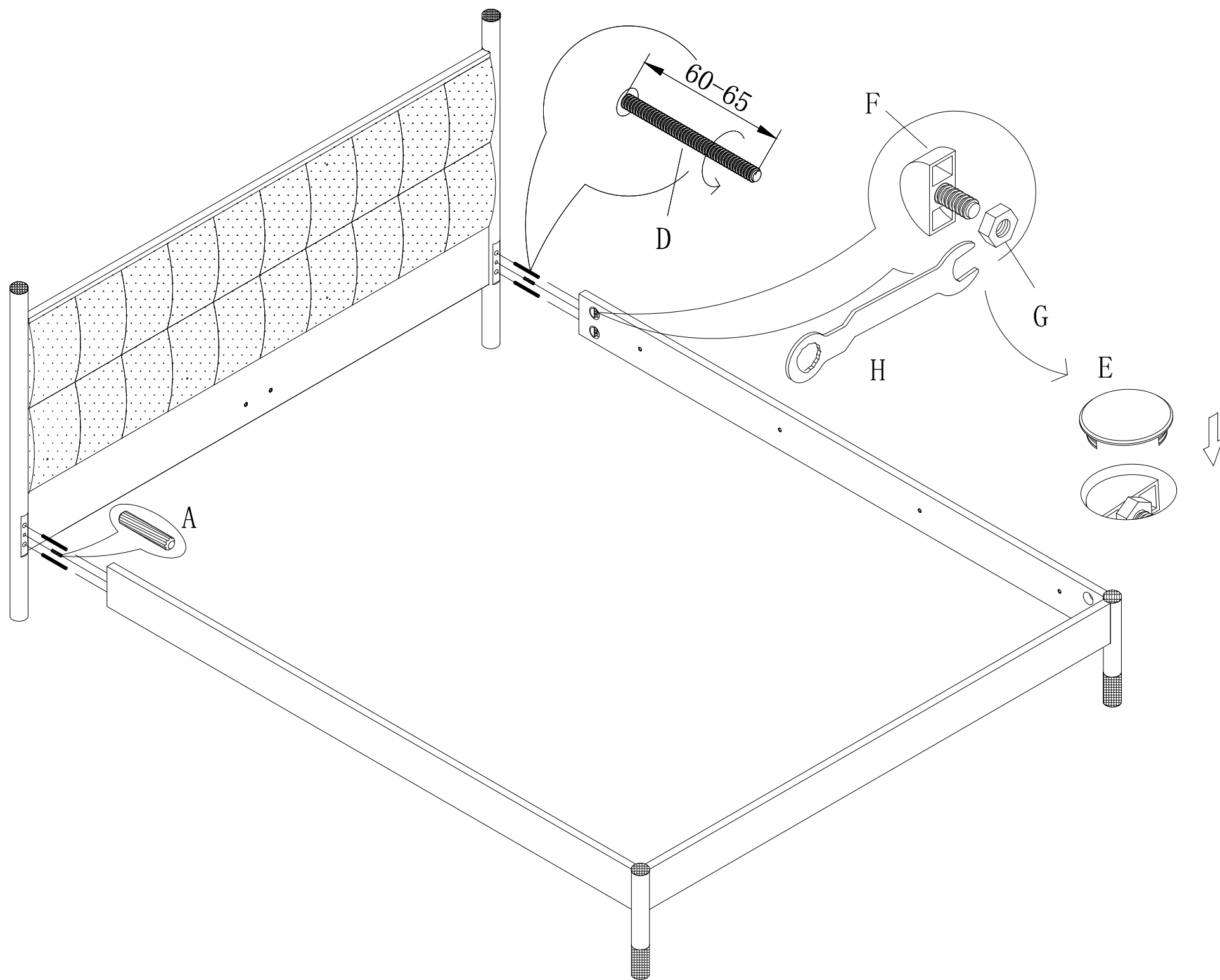
M x2
Spec: $\phi 25$



1

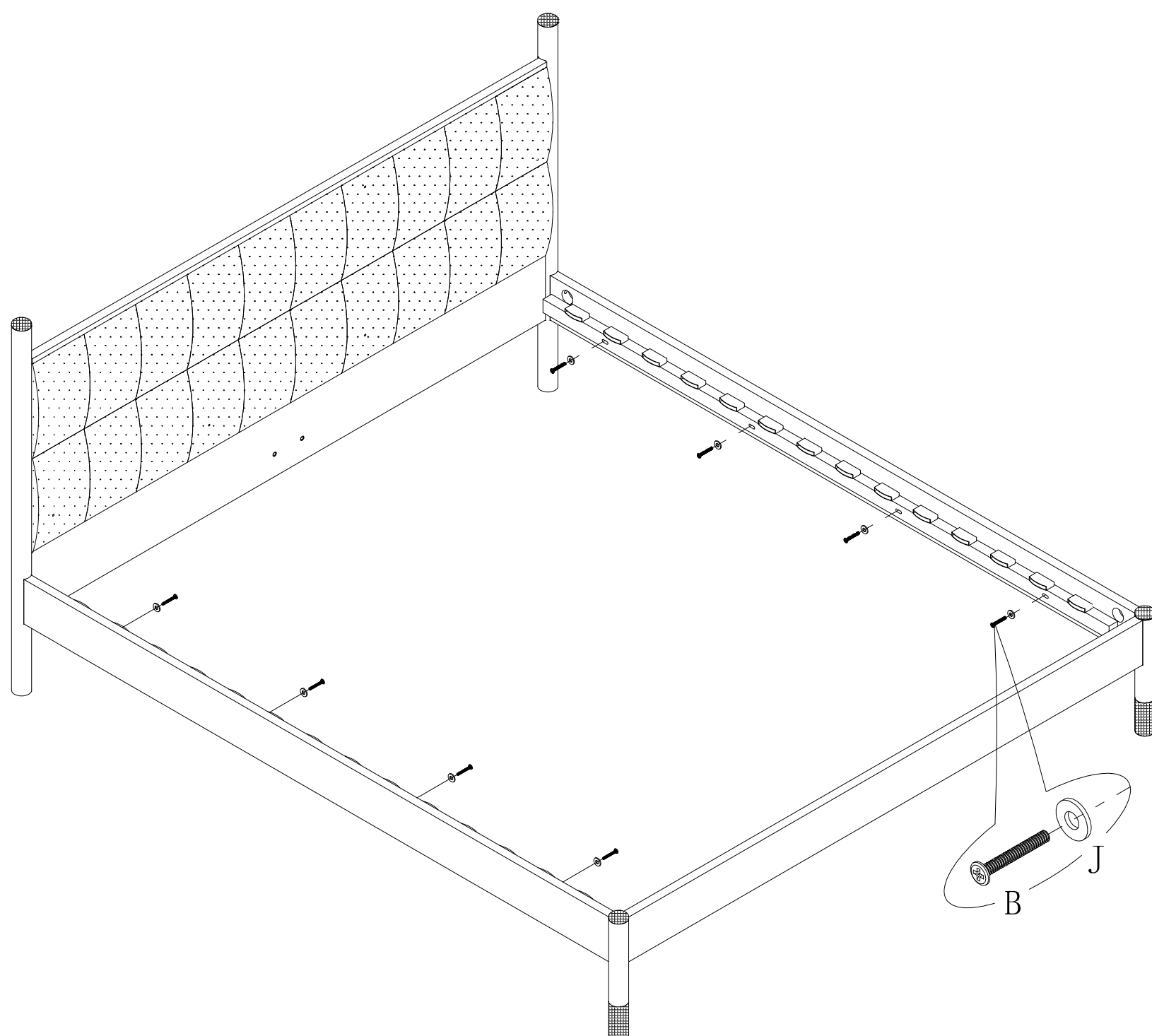
2

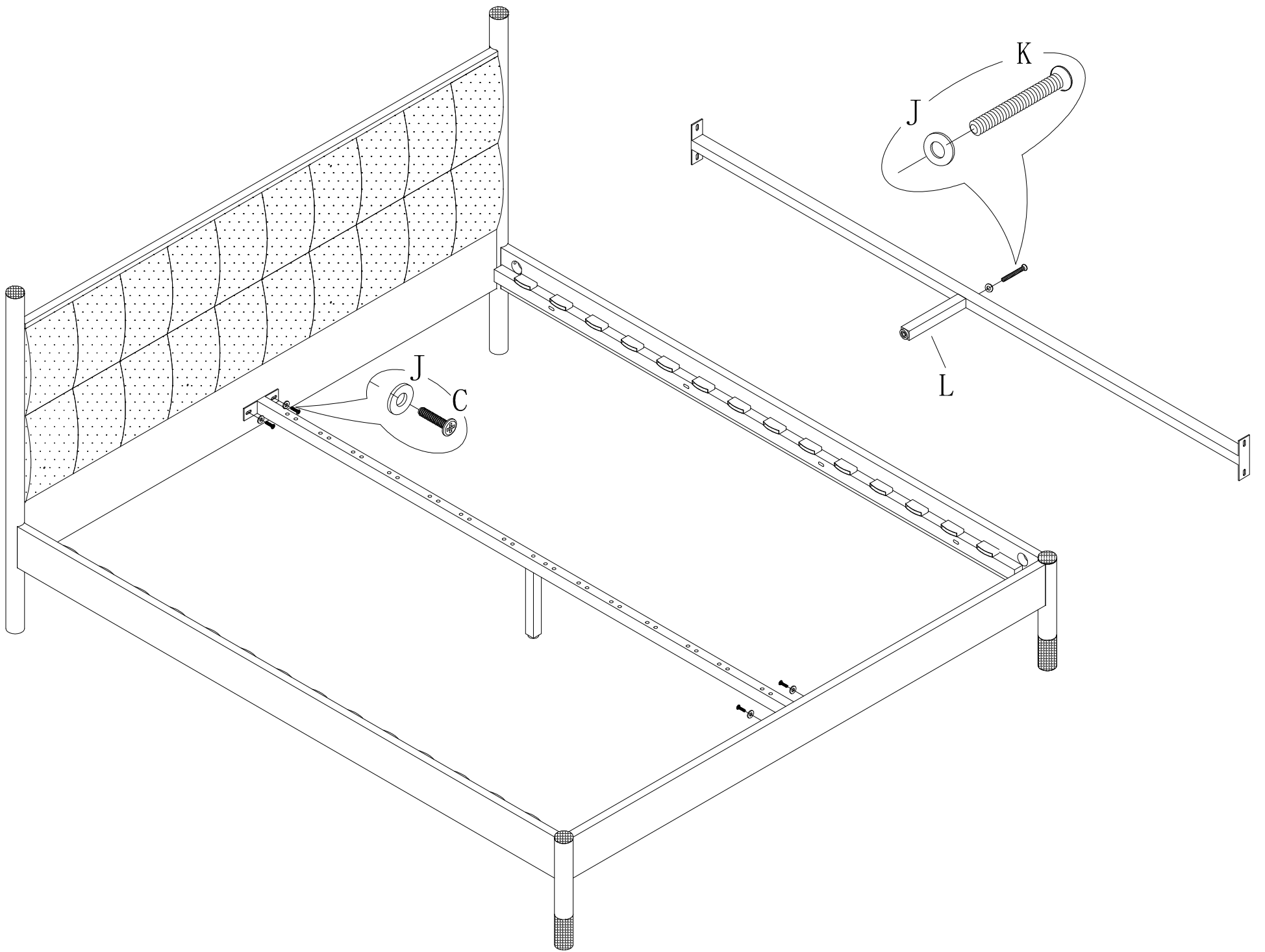




3

4





5

6

