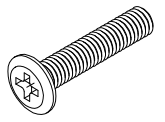
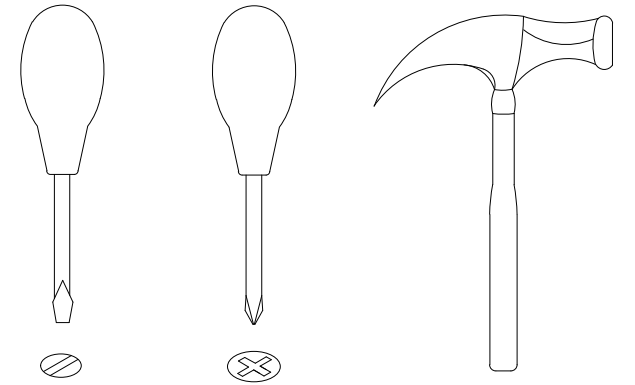
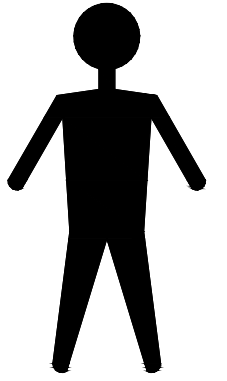
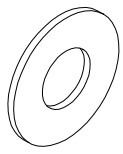


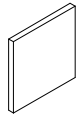
MDI. BST. VC. 3



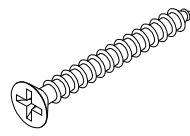
A x5
Spec: M6*25



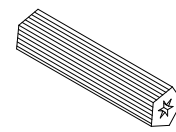
B x5
Spec: M18*8.2*2



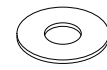
C x4
Spec: 38*38



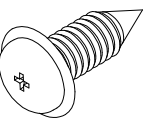
D x2
Spec: $\phi 3.5$ *L35



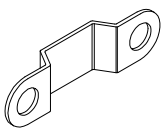
E x2
Spec:



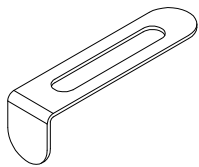
F x3
Spec: 10*4*1



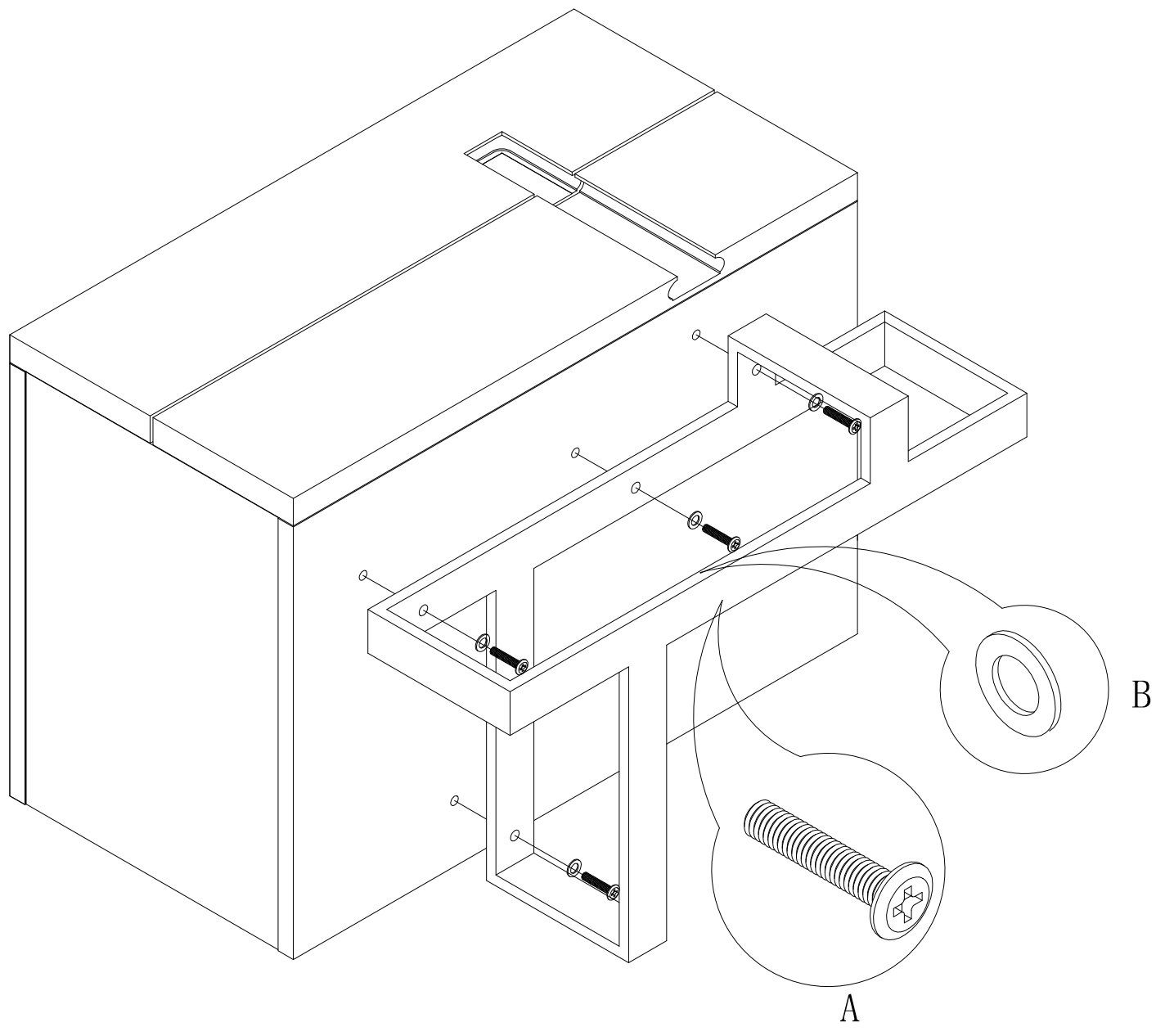
G x1
Spec: $\phi 4$ *L16



H x1
Spec:

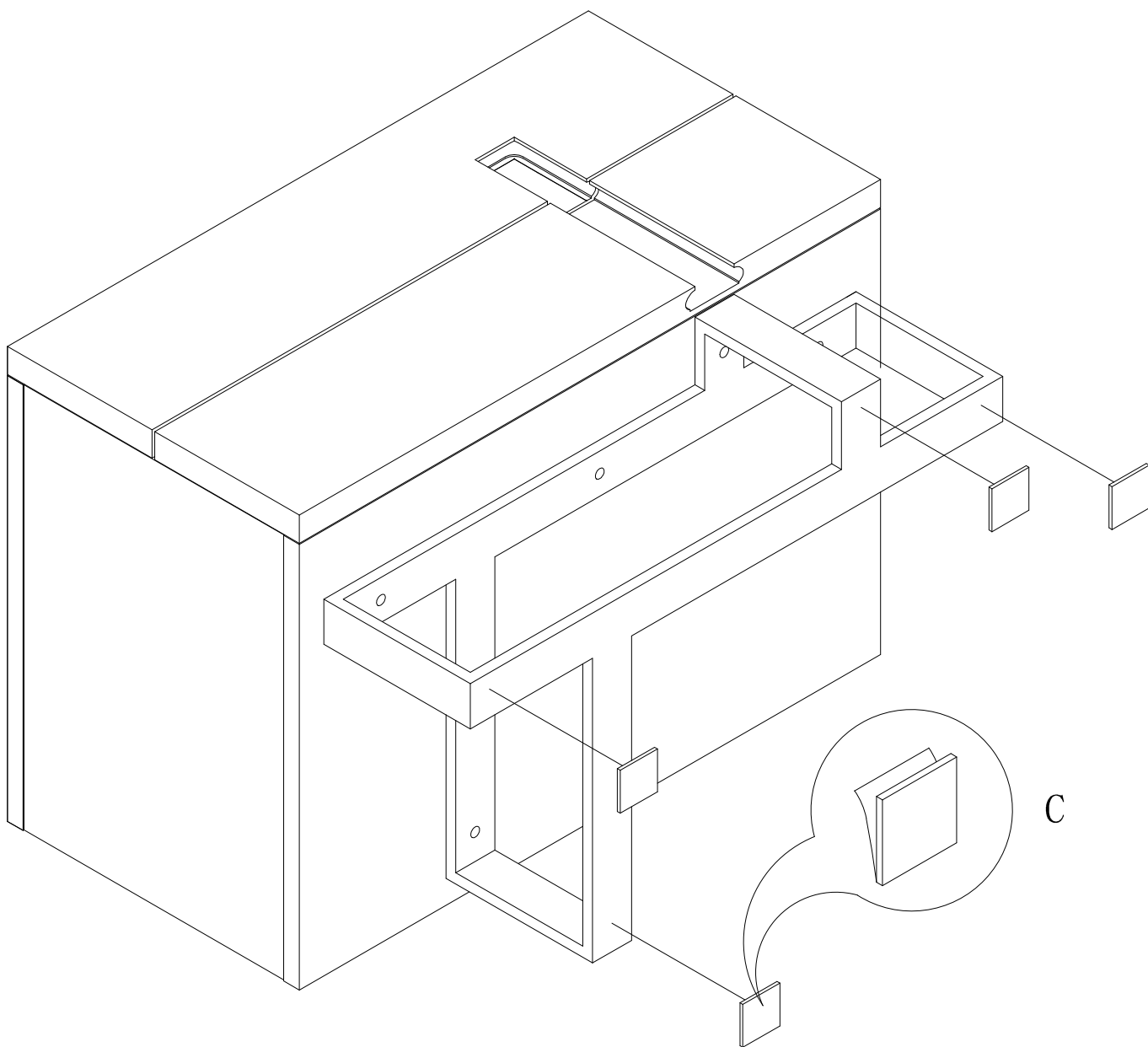


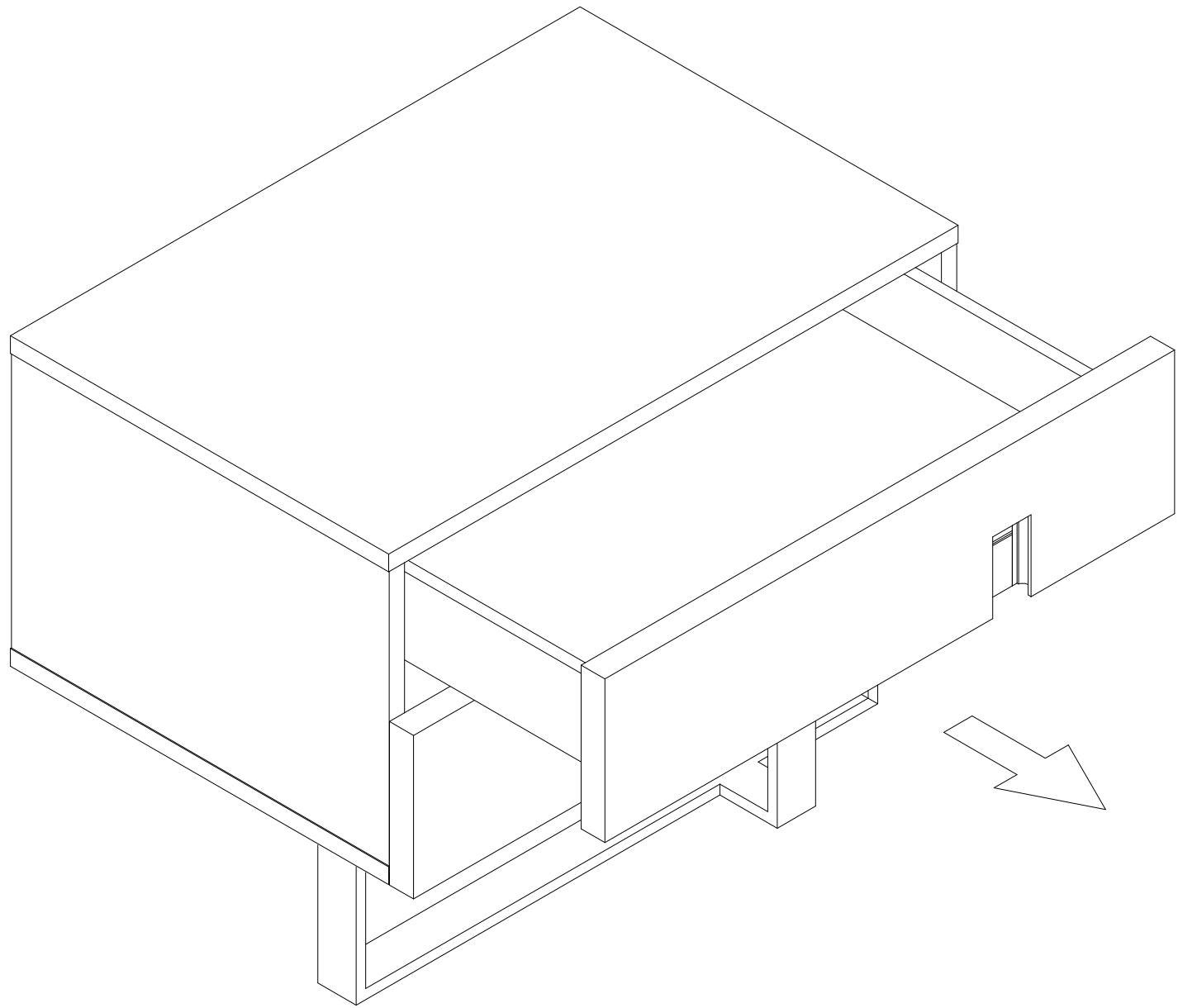
I x1
Spec:



1

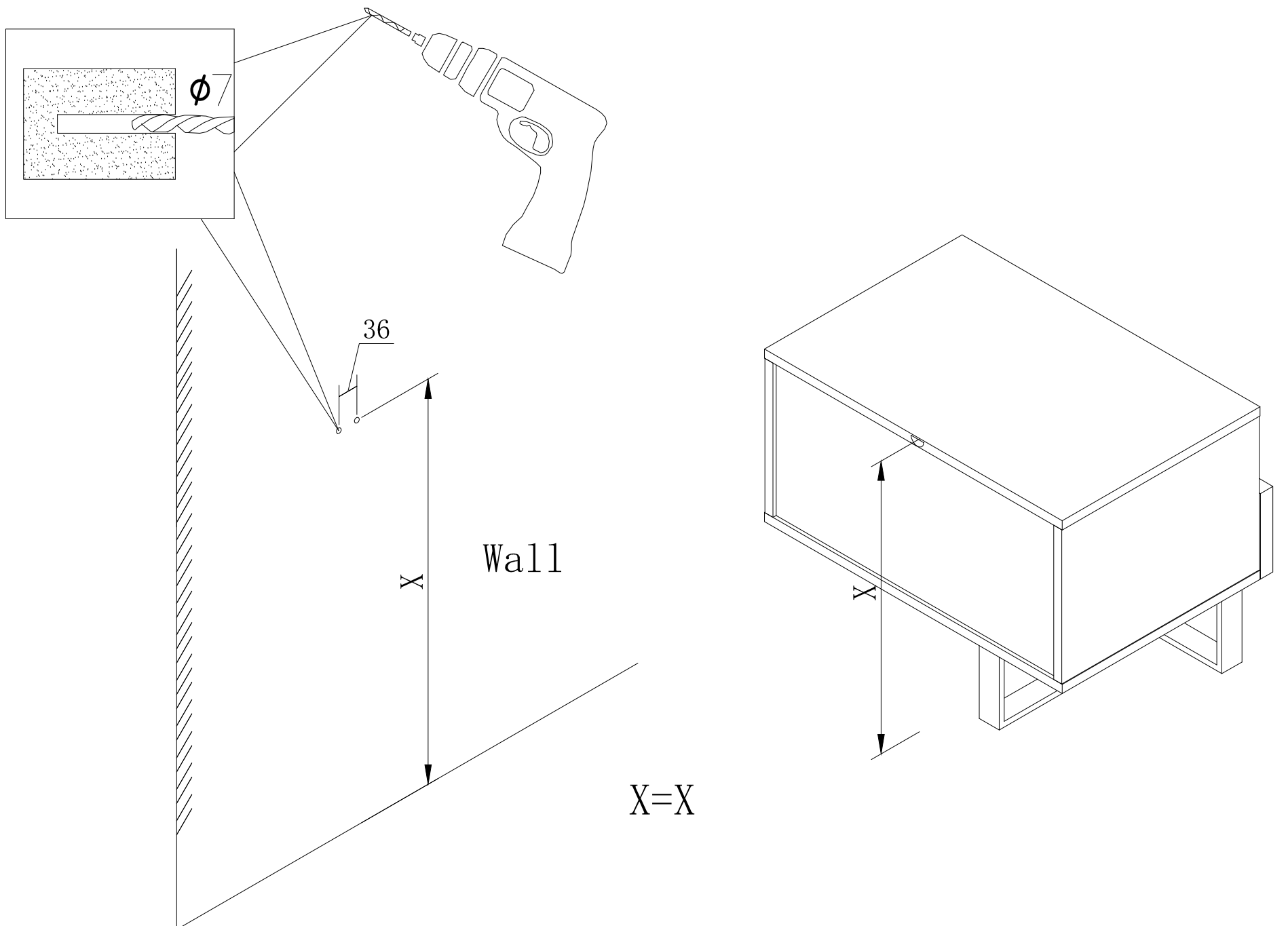
2

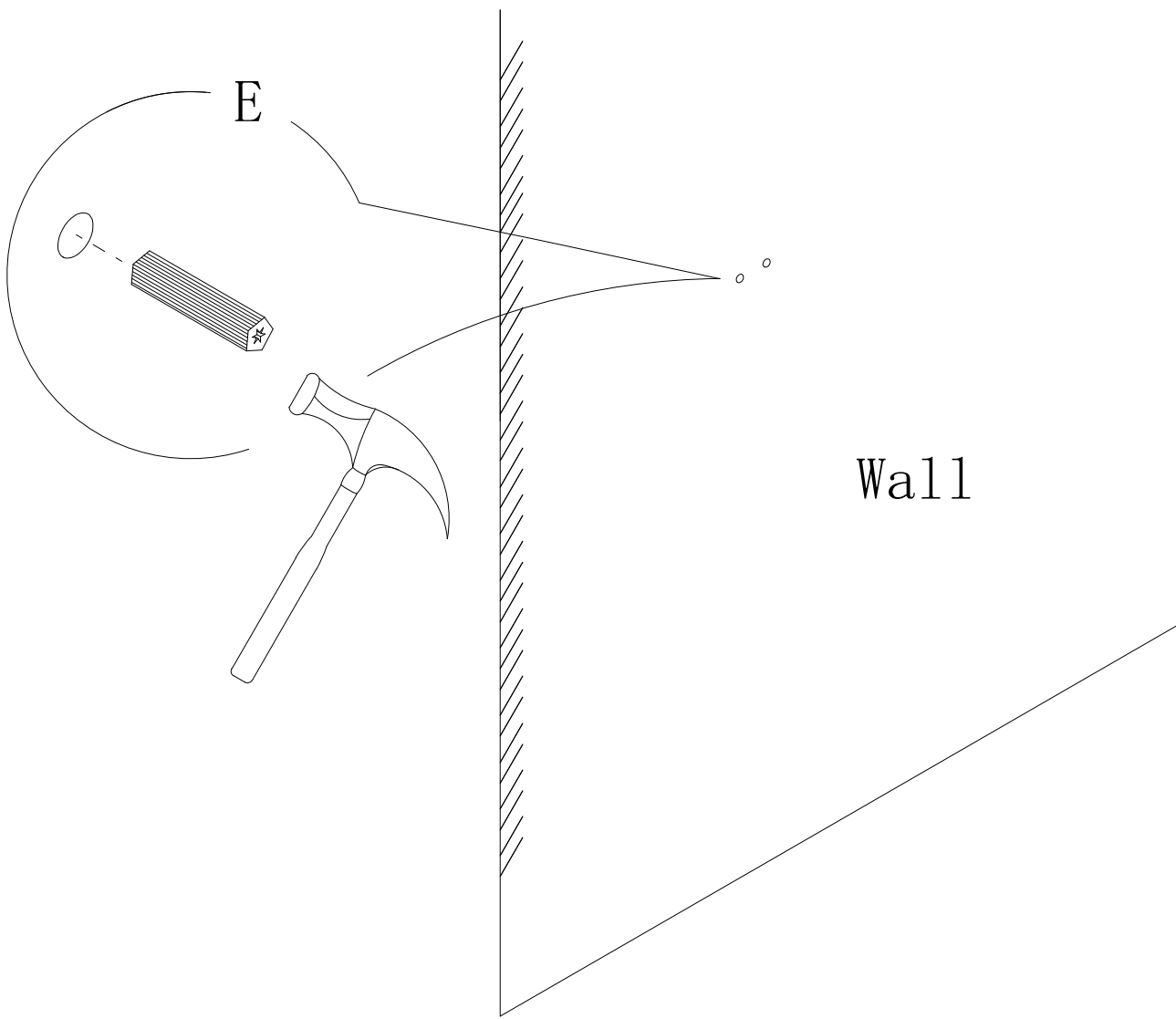




3

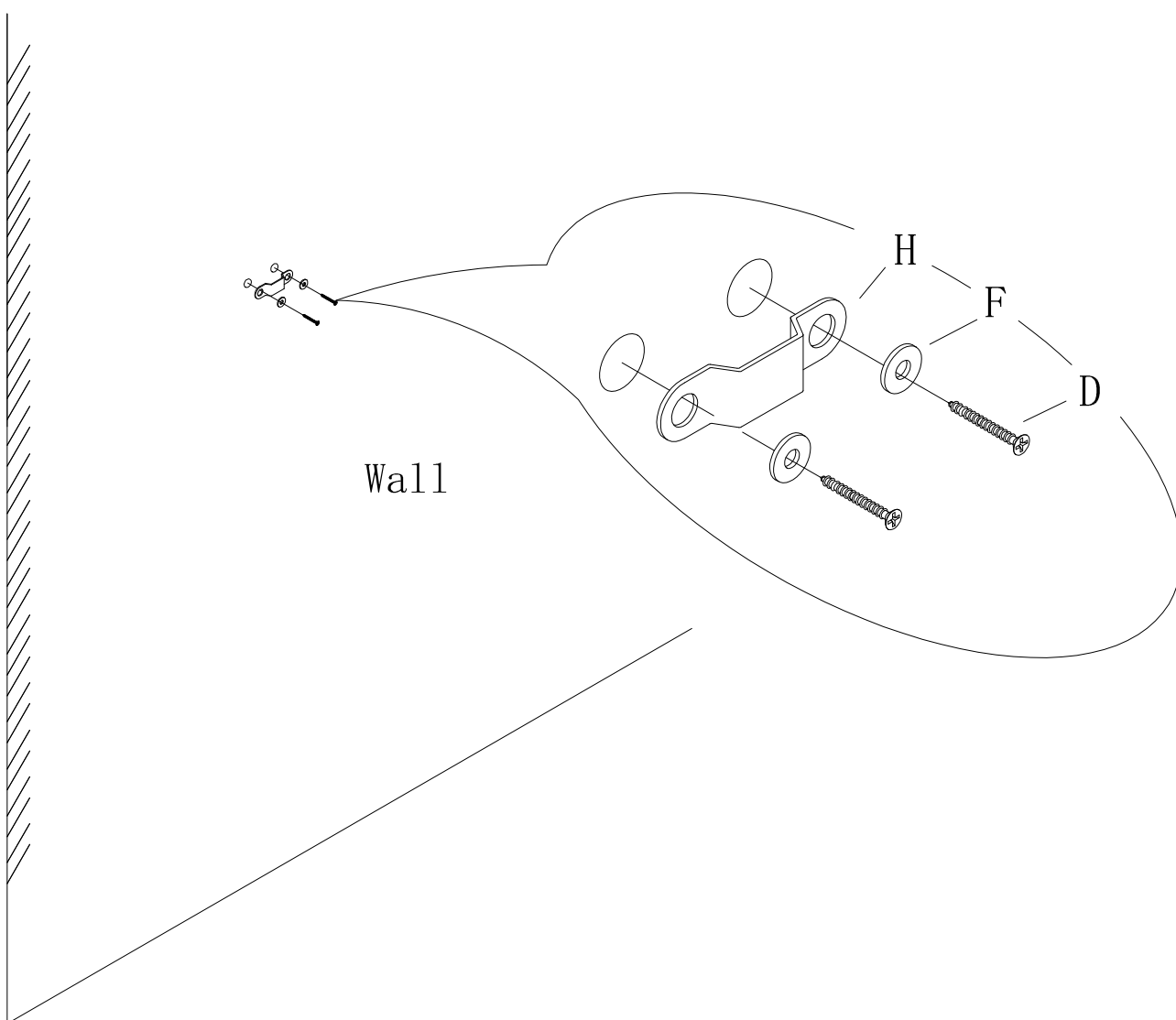
4

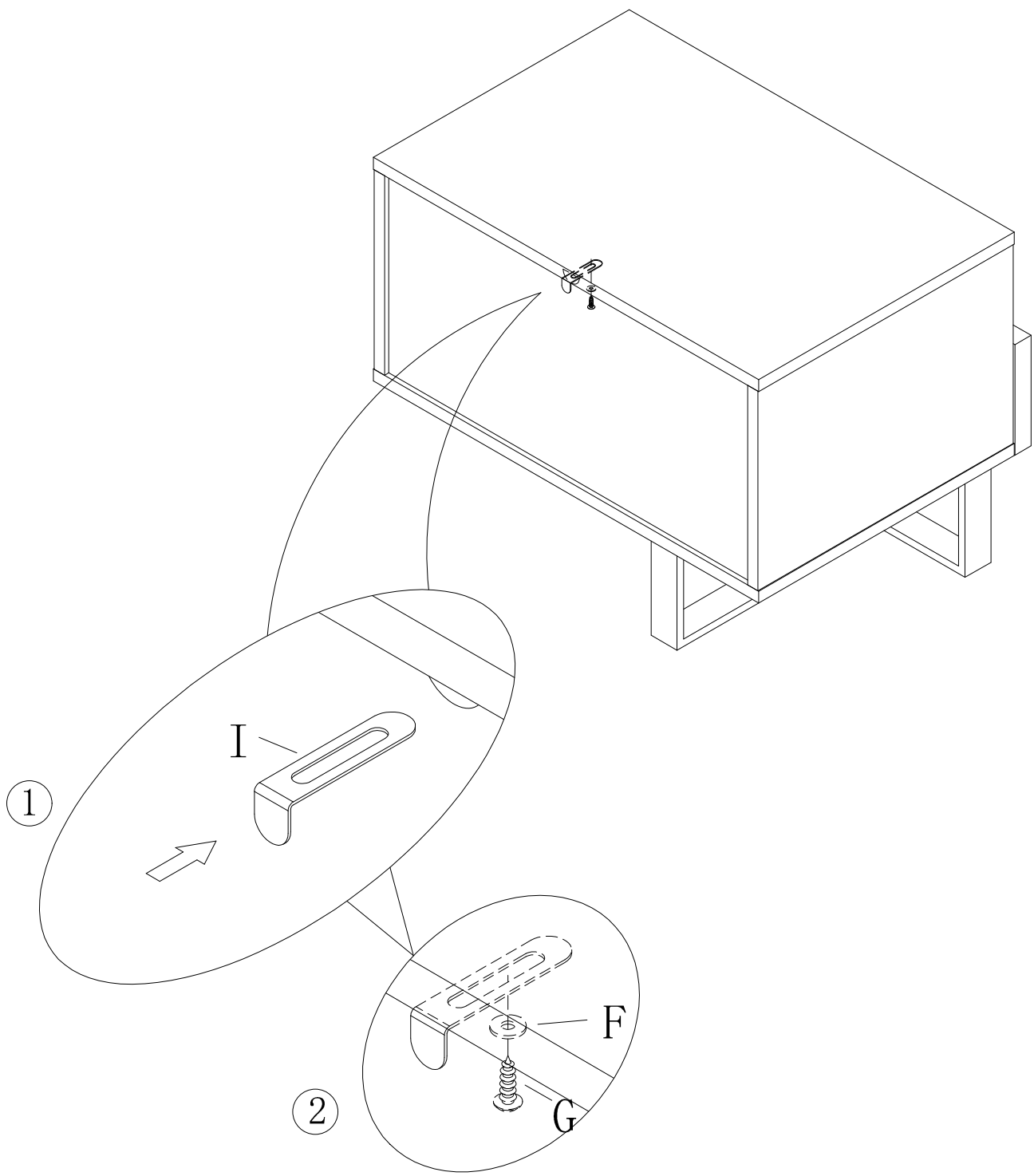




5

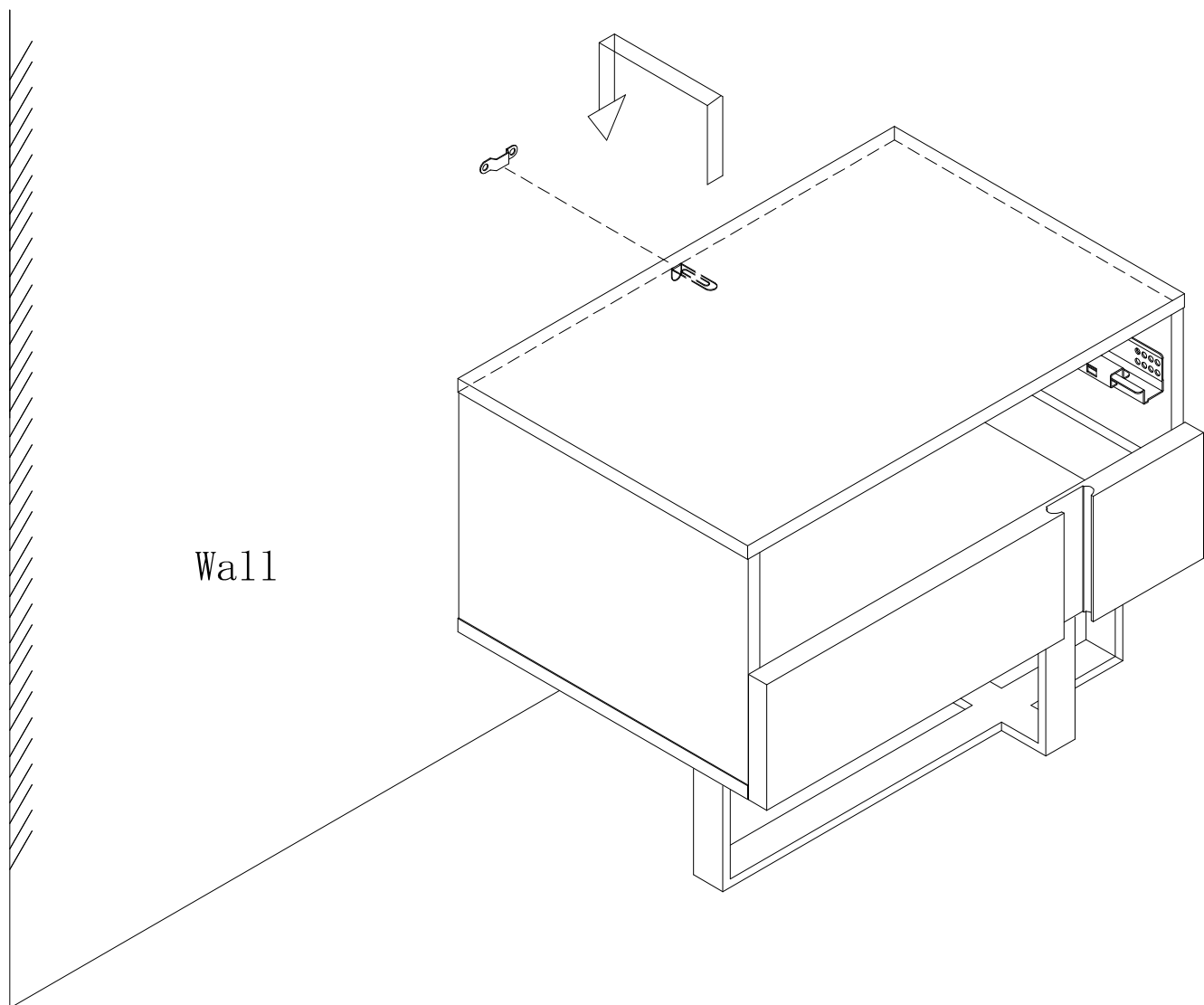
6

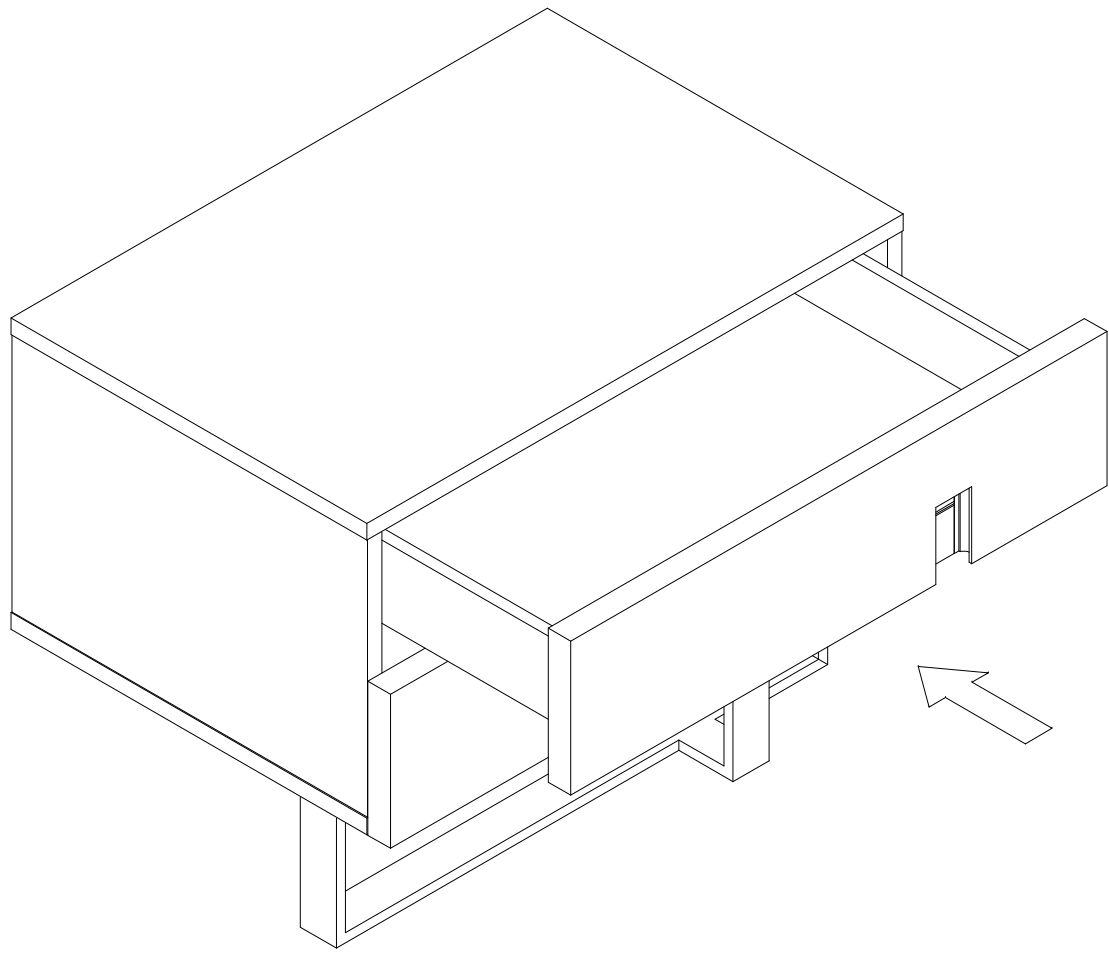




7

8





9
