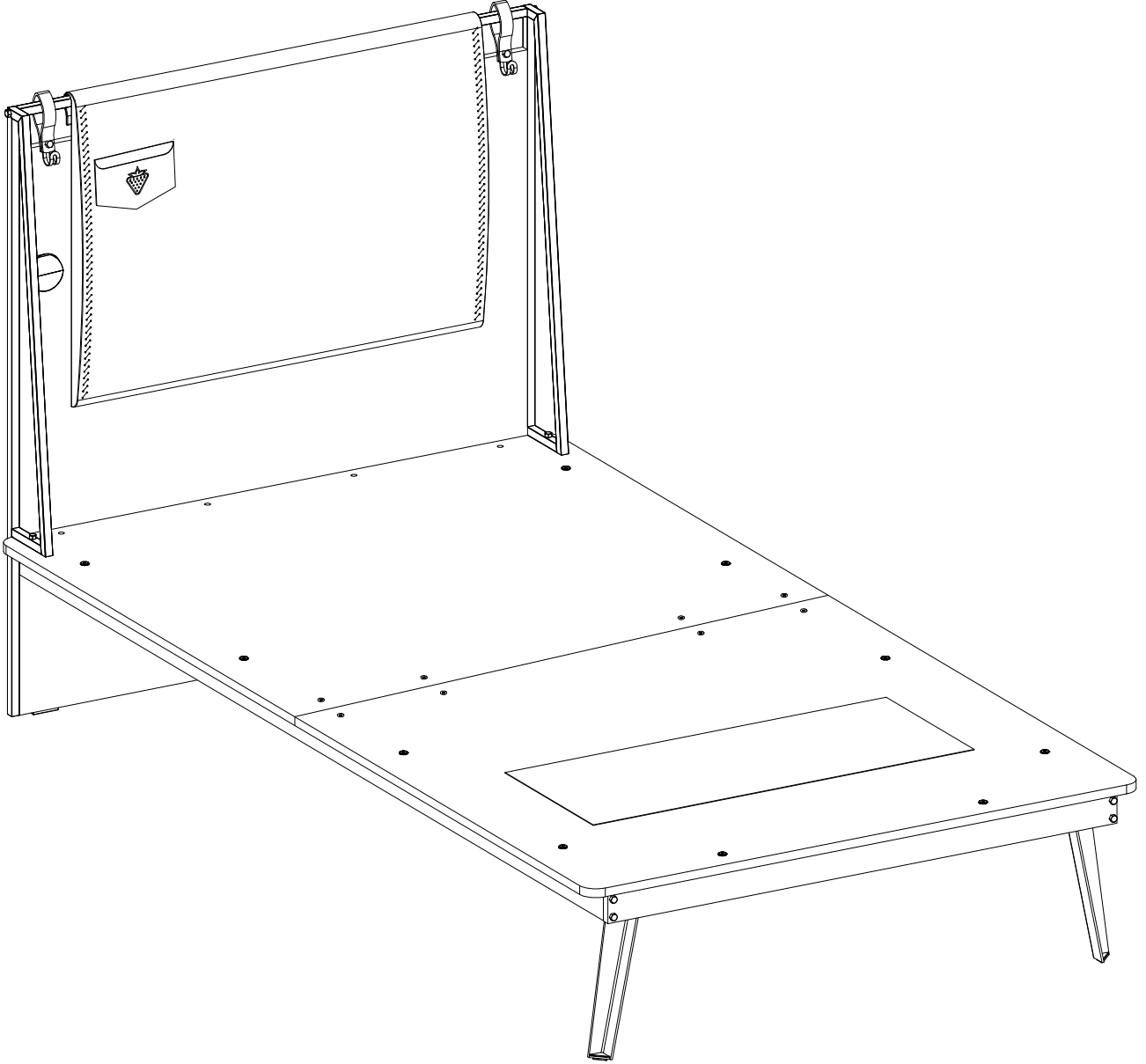
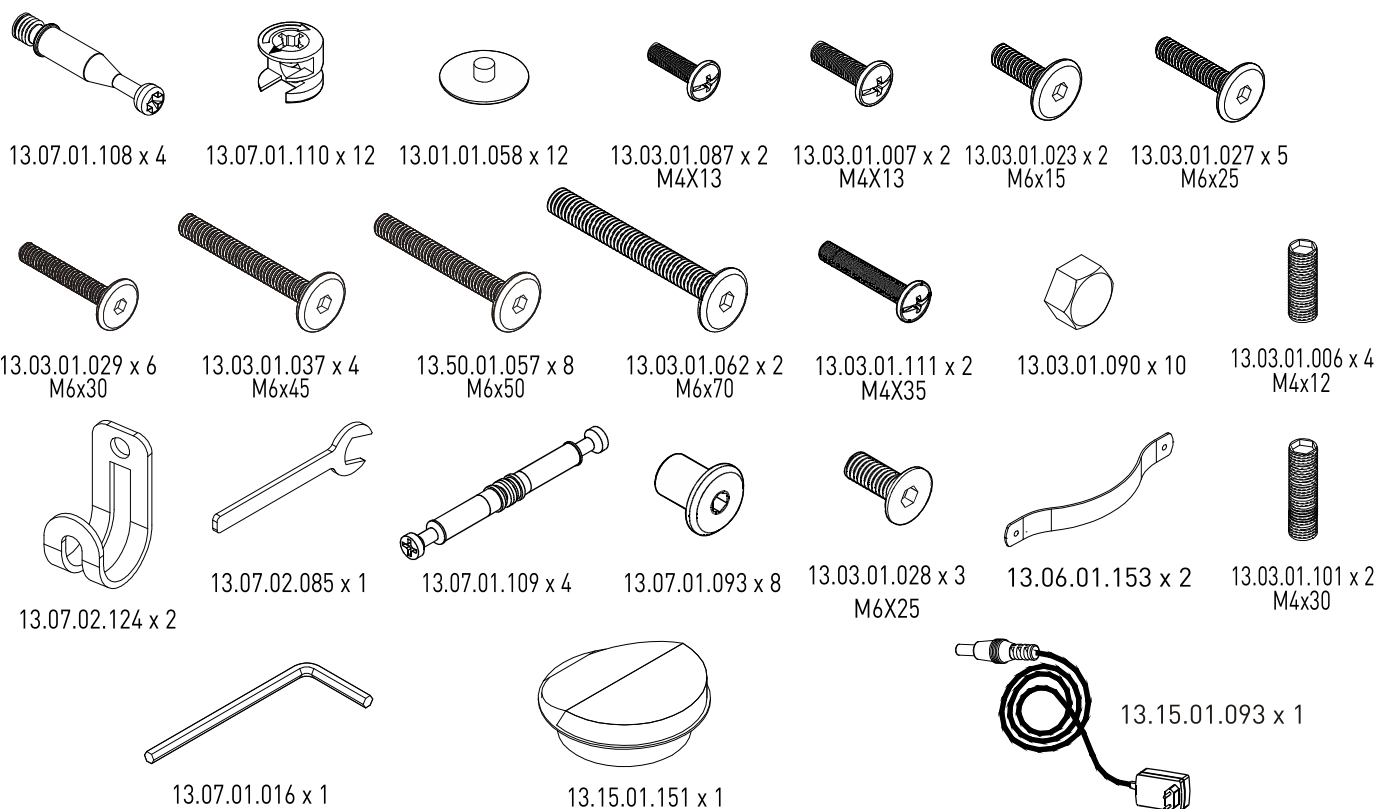
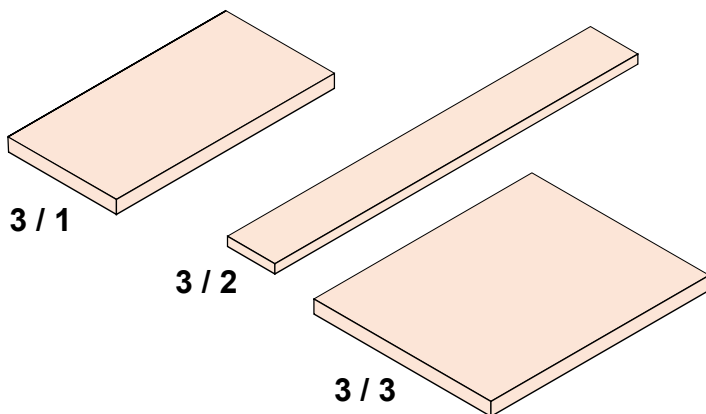
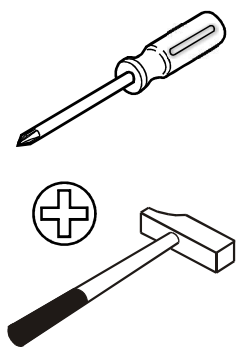
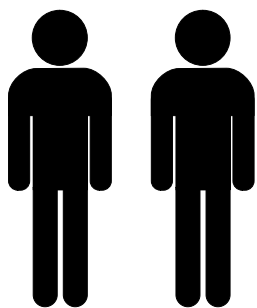
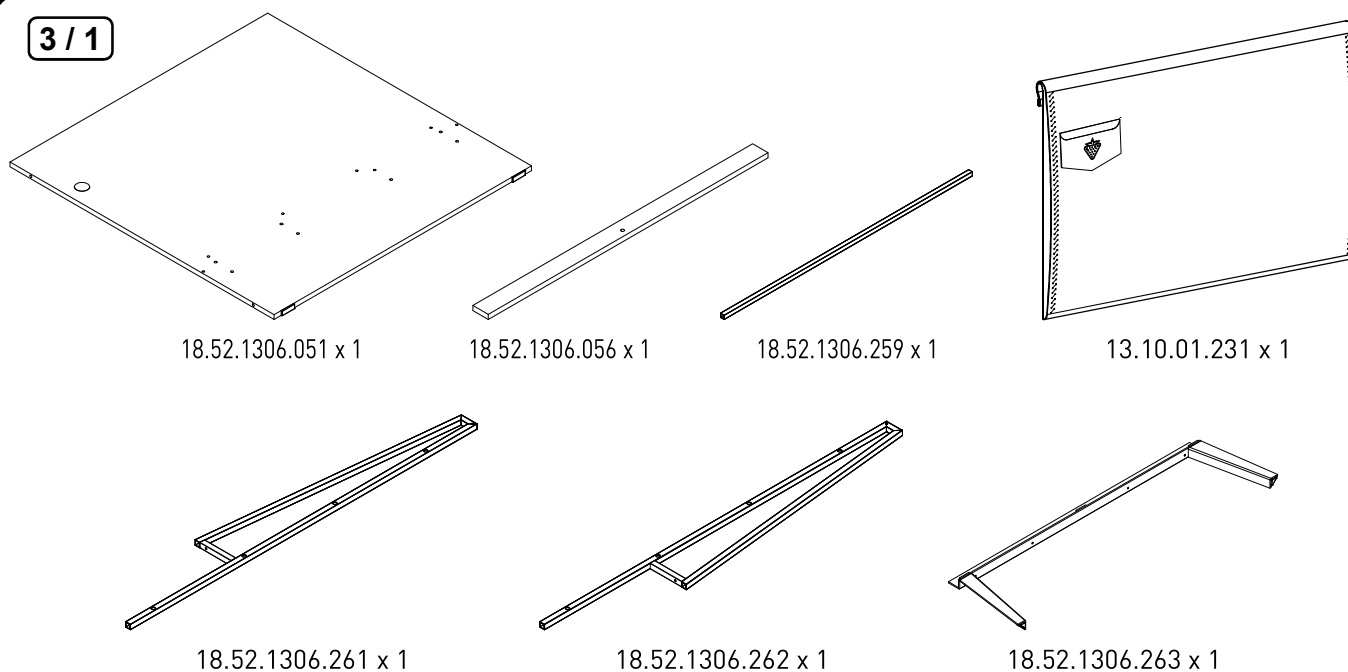


20.52.1306.01

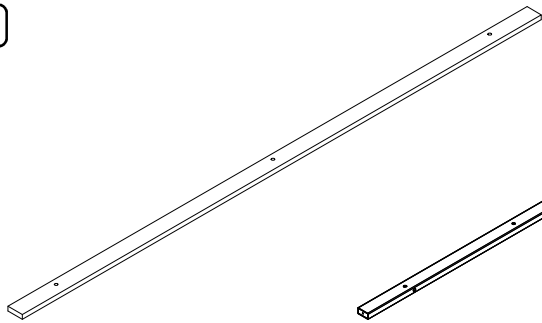




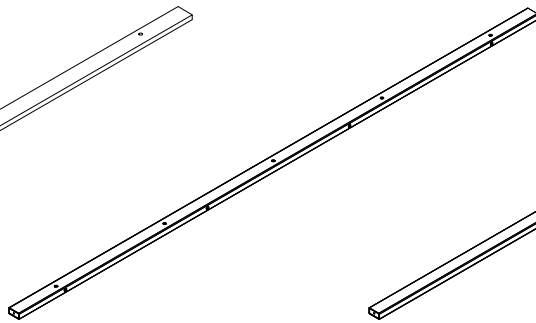
3 / 1



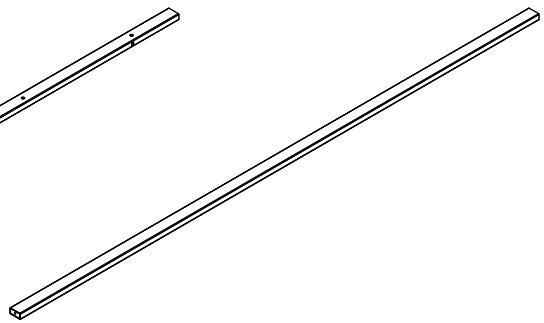
3 / 2



18.52.1306.054 x 2

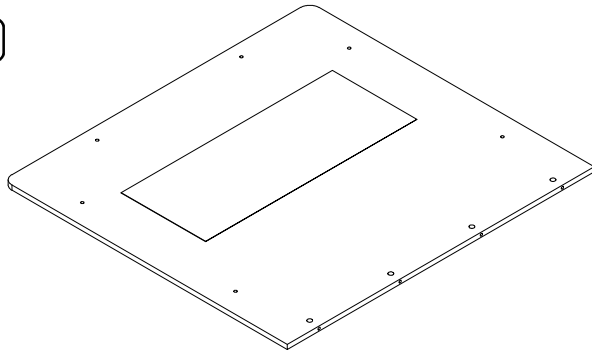


18.52.1306.252 x 2

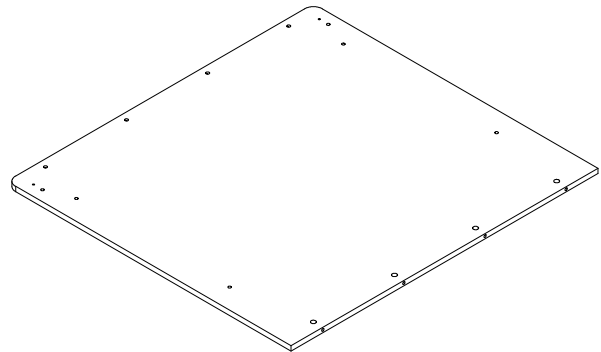


18.52.1306.251 x 1

3 / 3



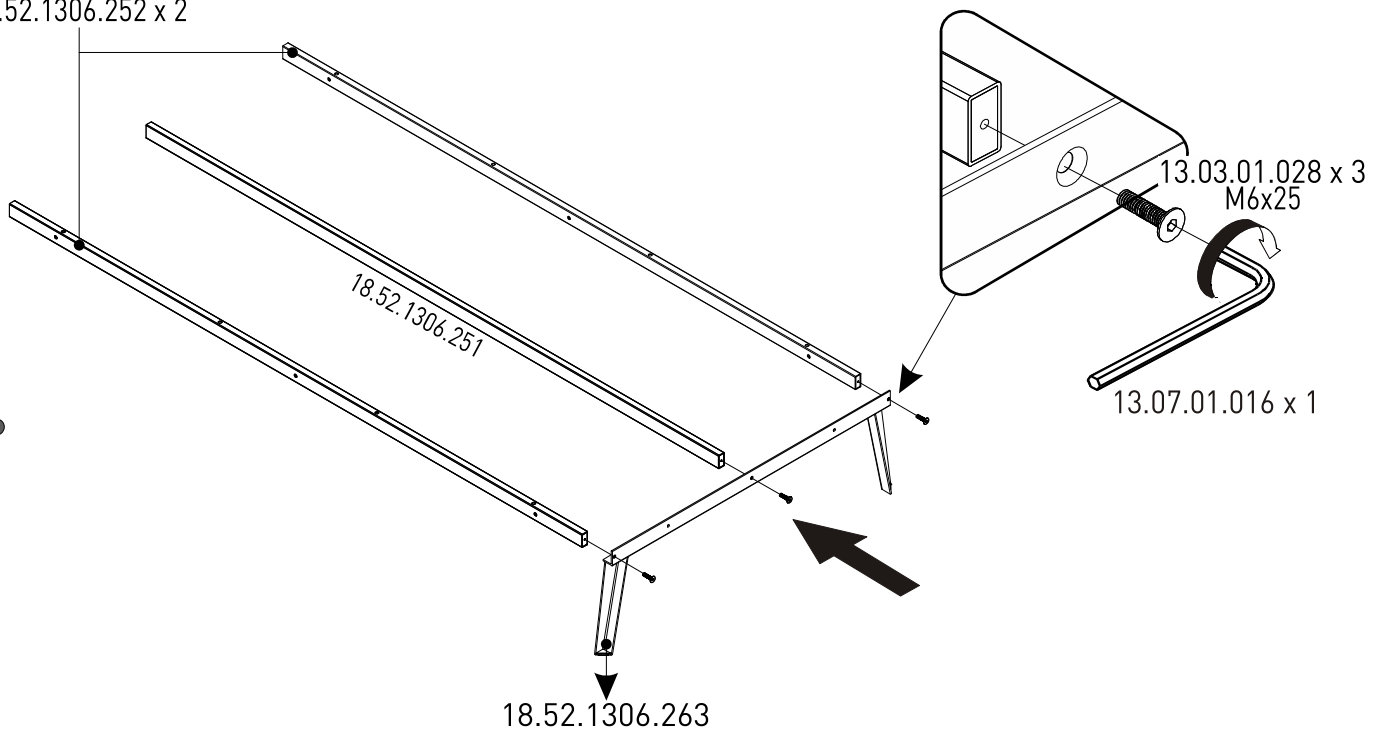
18.52.1306.058 x 1



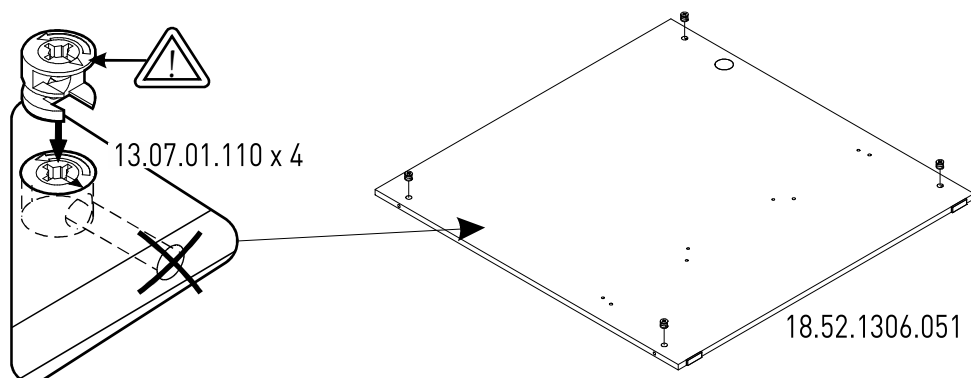
18.52.1306.057 x 1

18.52.1306.252 x 2

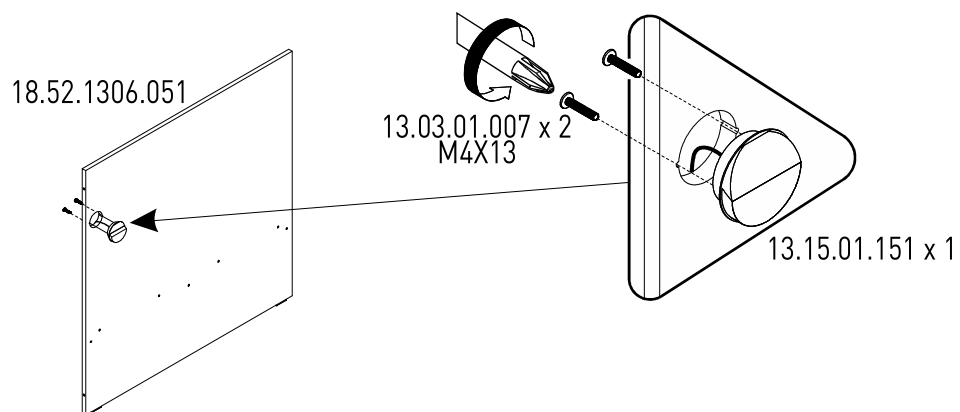
1



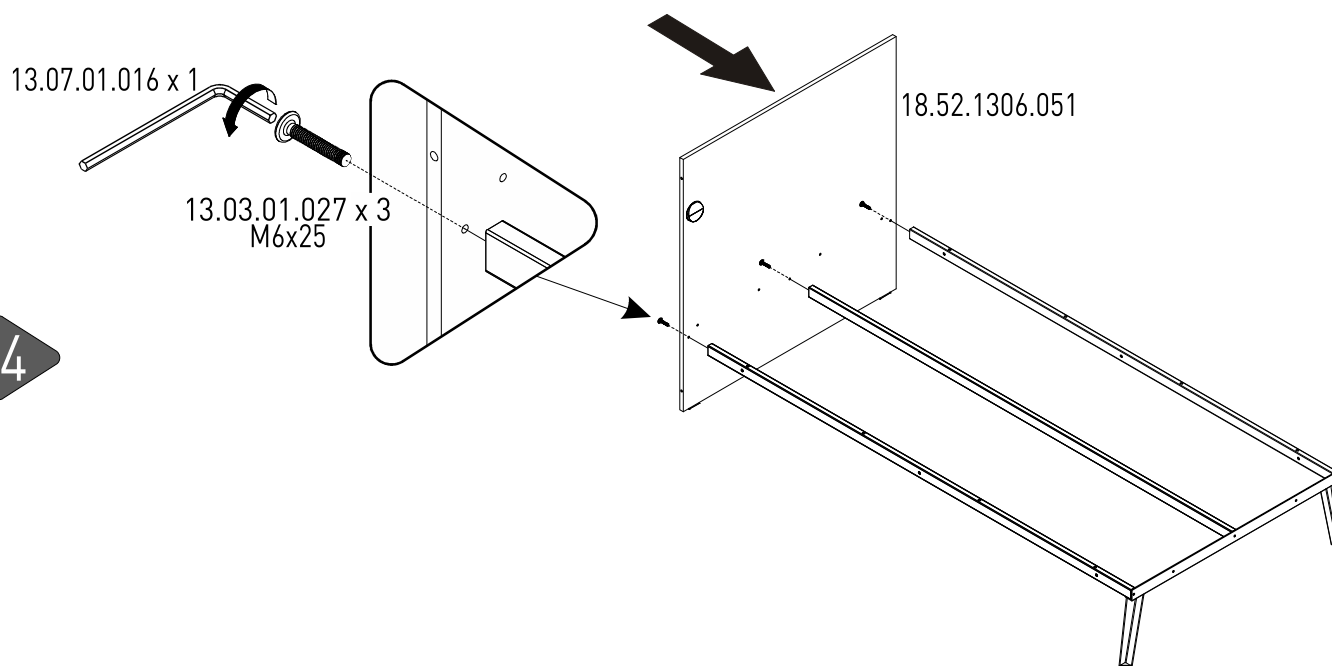
2



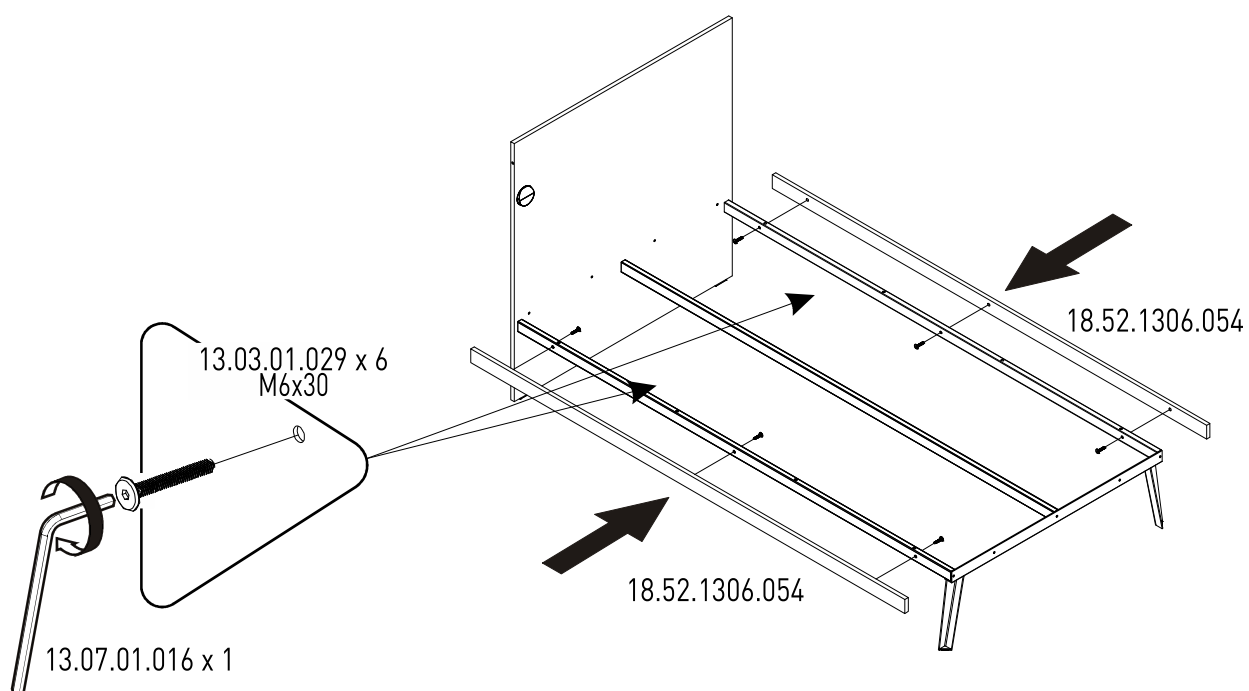
3



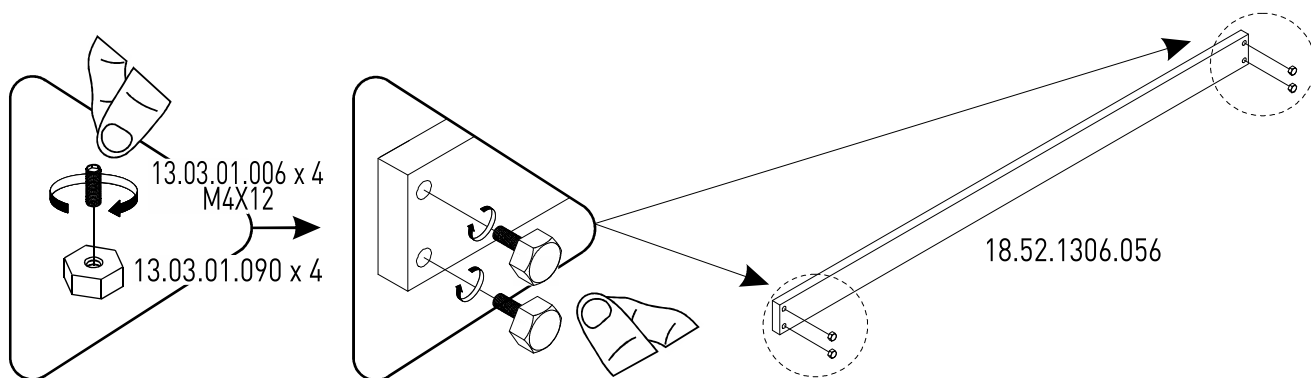
4



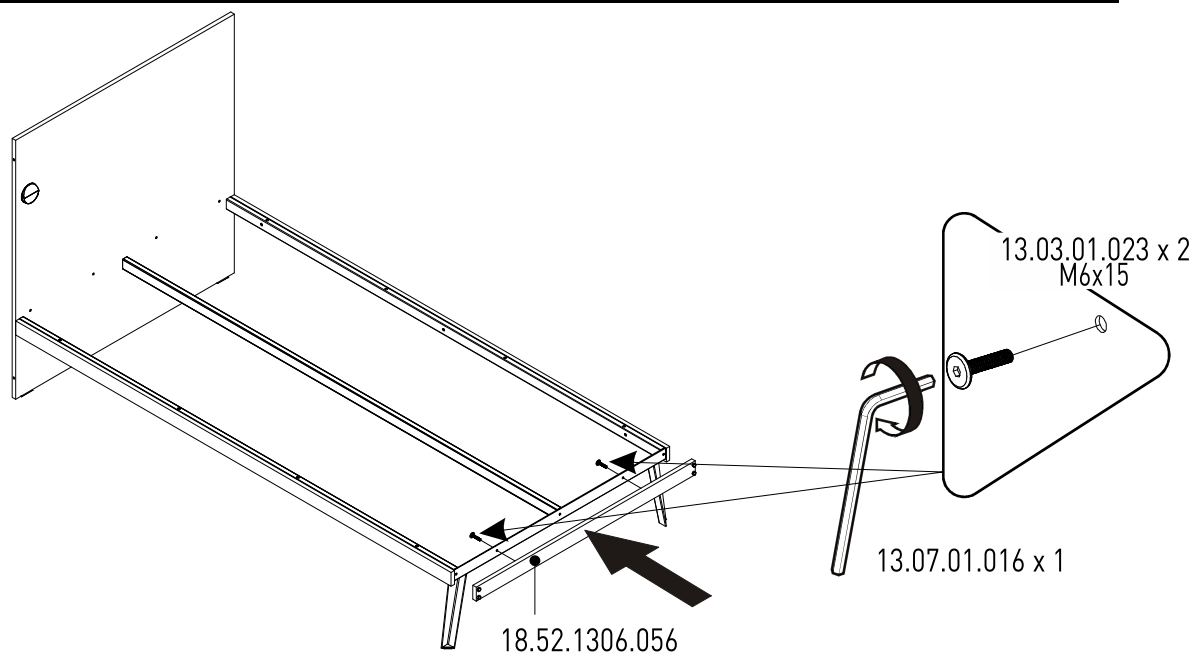
5



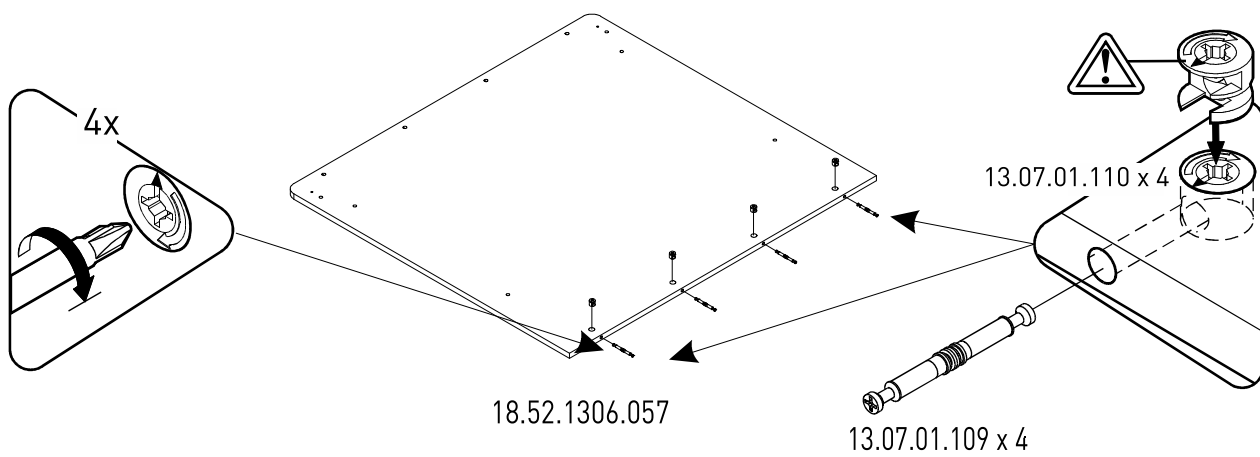
6



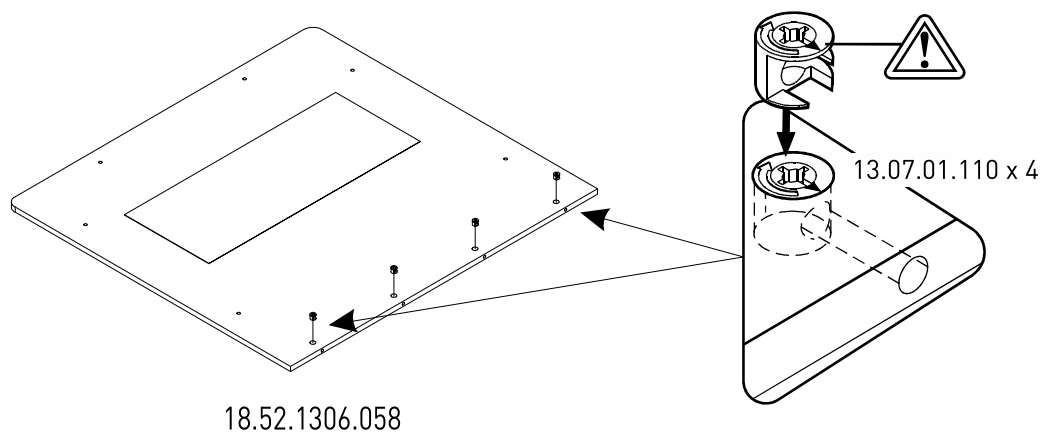
7



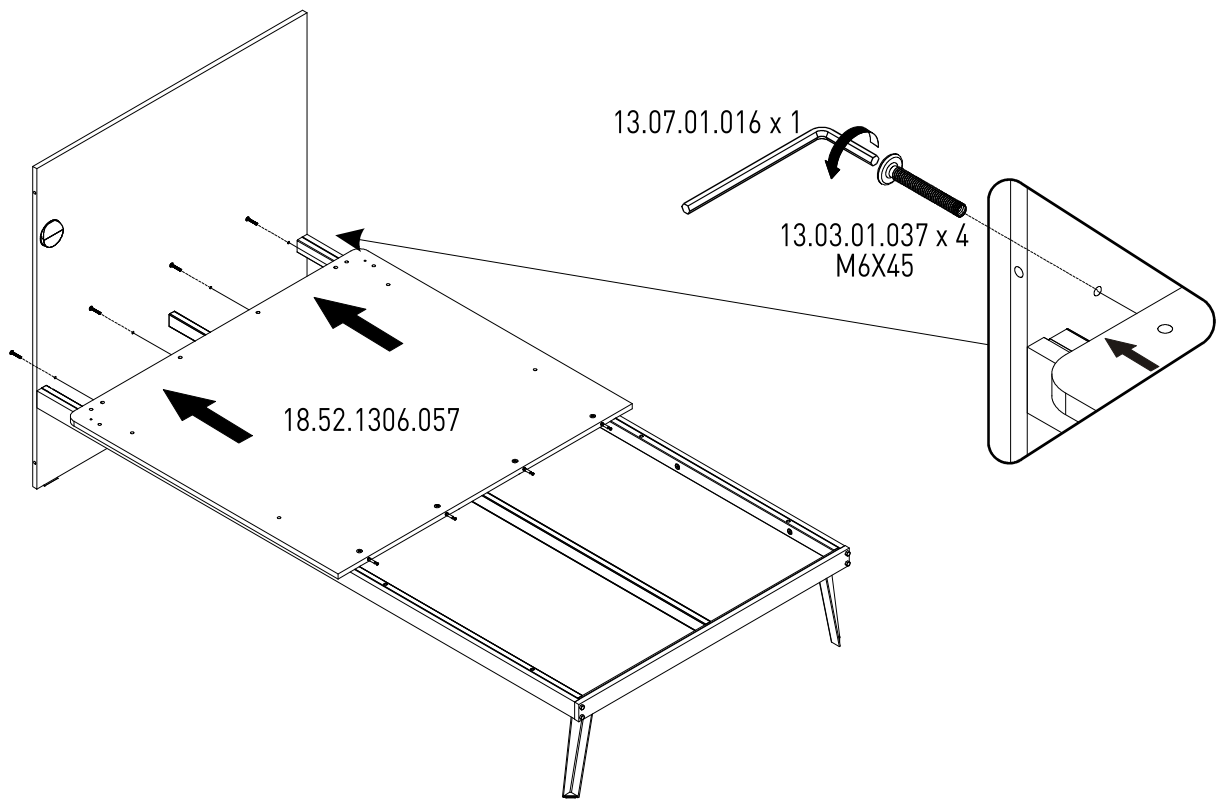
8



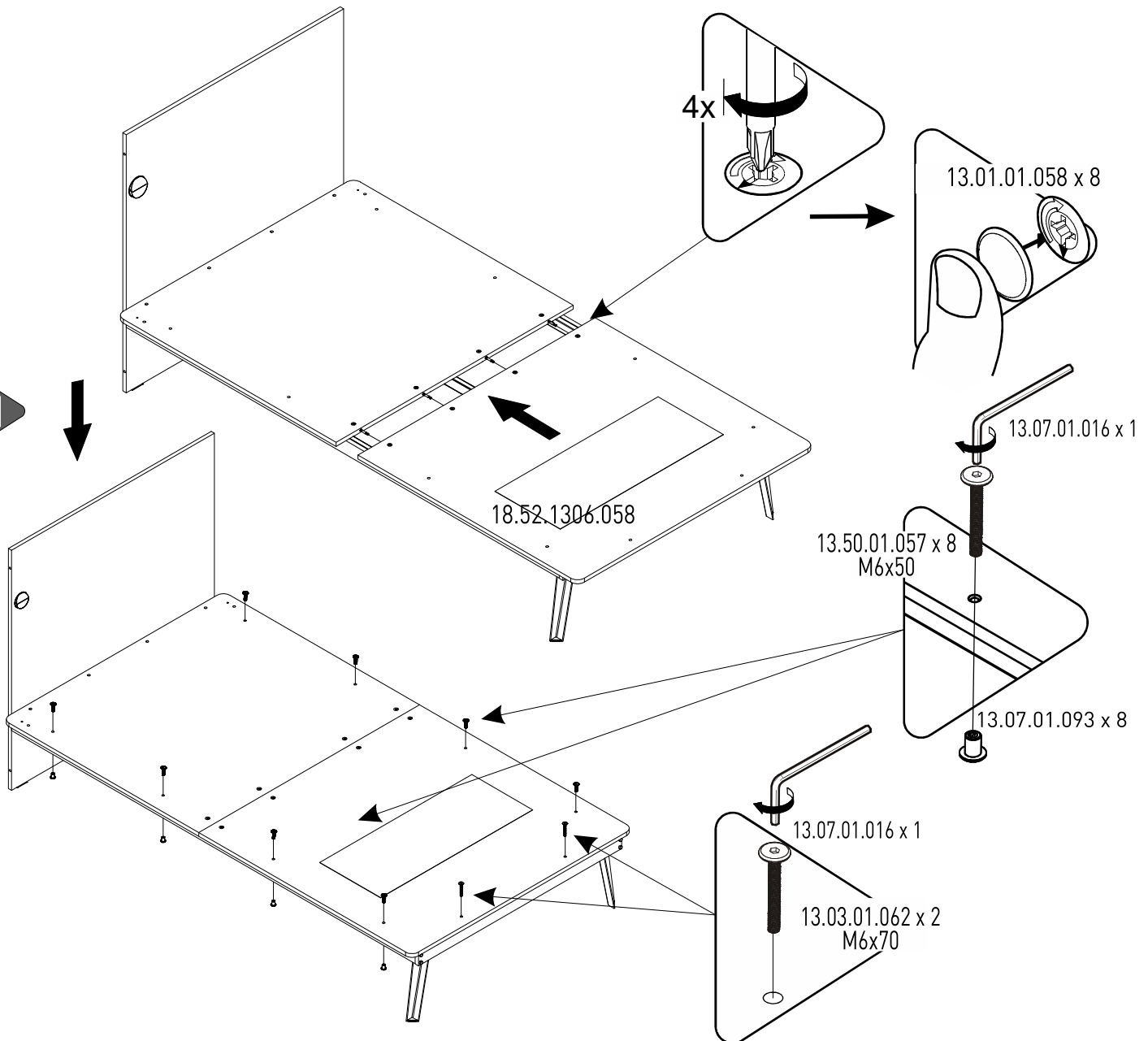
9



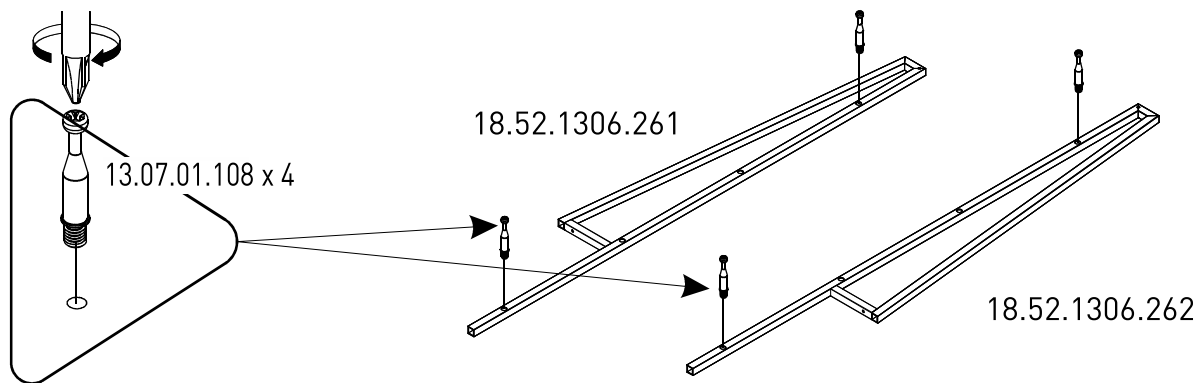
10



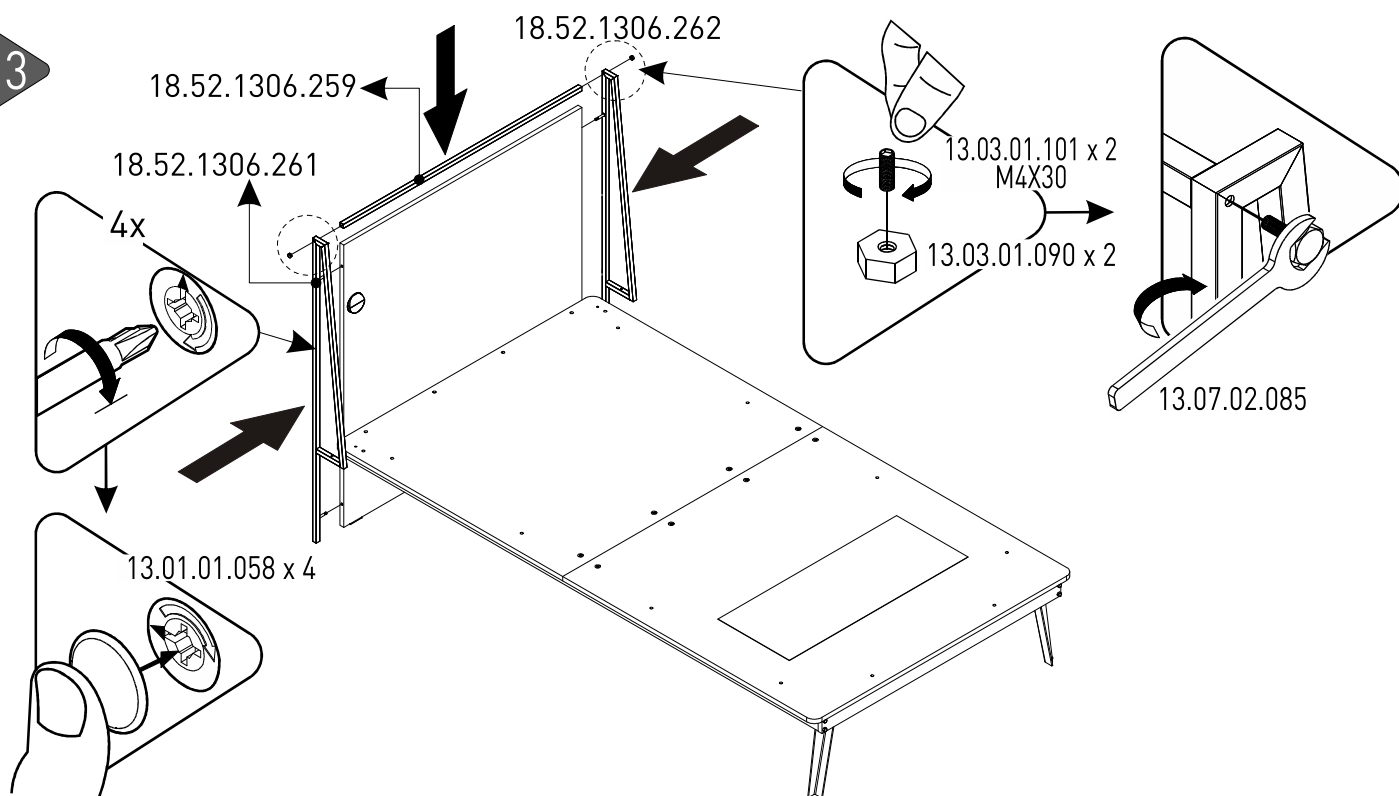
11



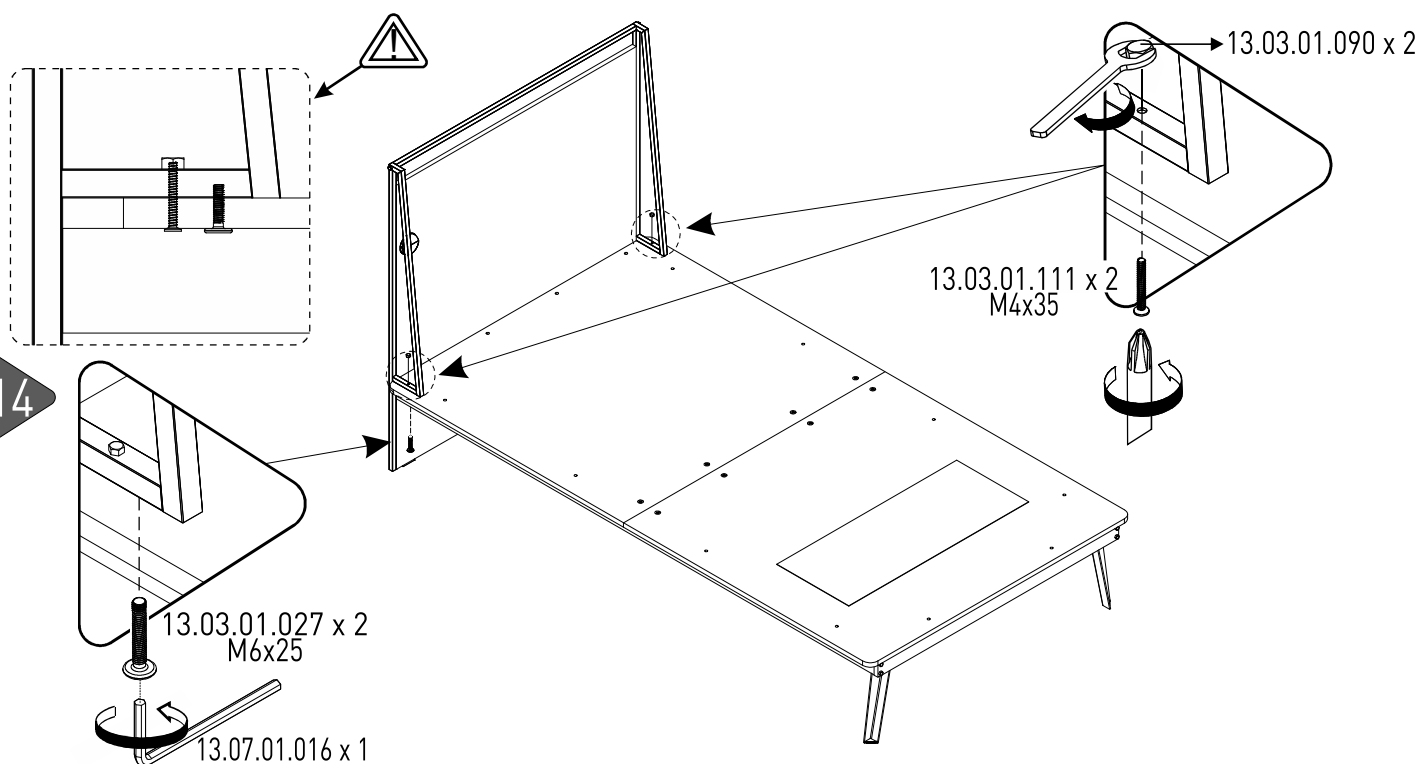
12



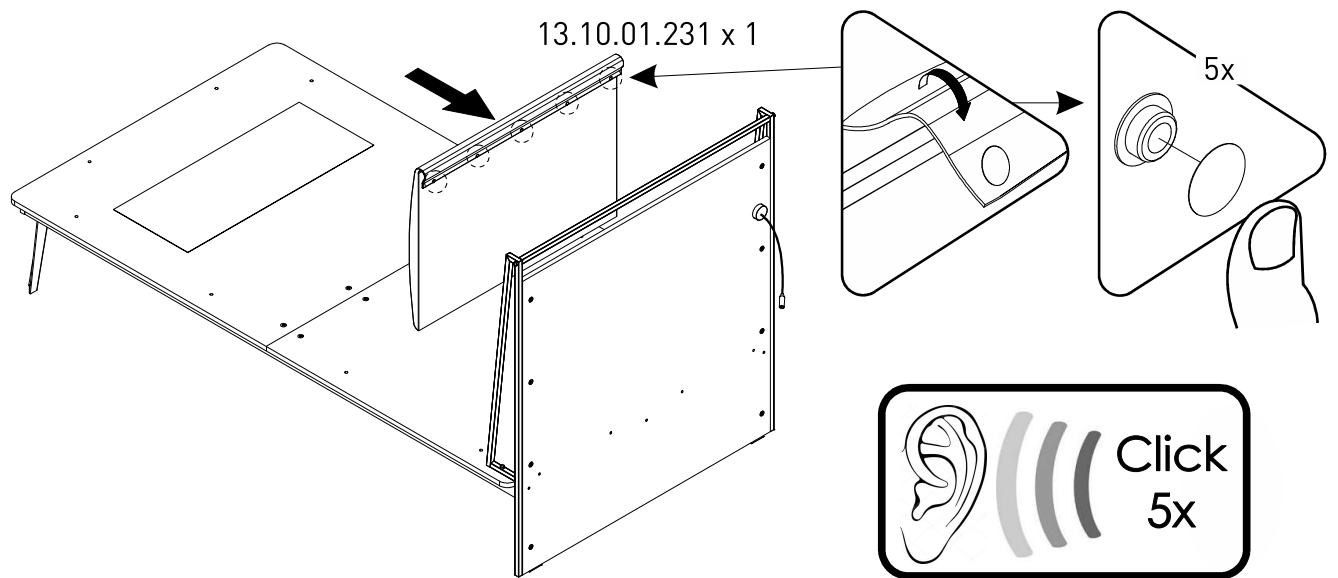
13



14



15



16

